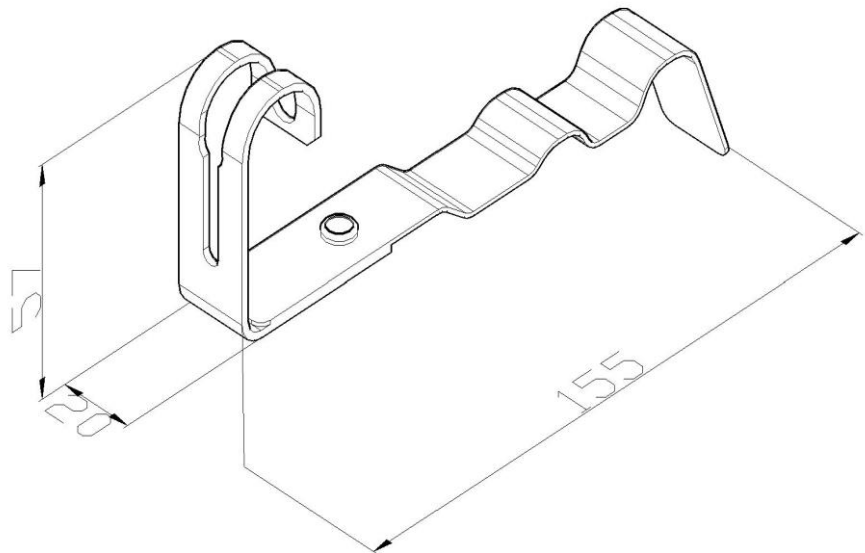


Product: SON22

Product code: 12221

Roof conductor fastener



| | |
|--------------------|--|
| Standard: | EN 62561-4:2017: Lightning protection system components (LPSC) - Part 4: Requirements for conductor fastener |
| Dimensions: | Length: 155 mm |
| | Width: 20 mm |
| | Height: 57 mm |
| | Conductor diameter: $\phi 8$ mm |
| | Weight: 0,06 kg |
| Material: | Stainless steel |