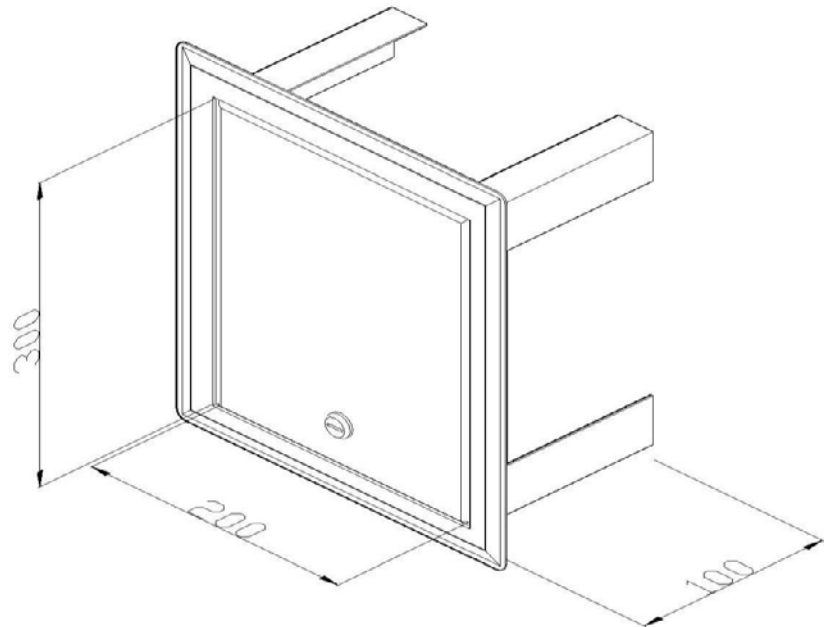


**Product:** ZON05-1

**Product code:** 20500

In-wall measuring cabinet made in one piece



|                    |   |
|--------------------|---|
| <b>Standard:</b>   | EN 62561-5:2017: Lightning protection system components (LPSC) - Part 5: Requirements for earth electrode inspection housings and earth electrode seals |
| <b>Dimensions:</b> | Length: 200 mm  |
|                    | Height: 300 mm  |
|                    | Depth: 100 mm   |
|                    | Weight: 0,85 kg   |
| <b>Material:</b>   | Stainless steel   |