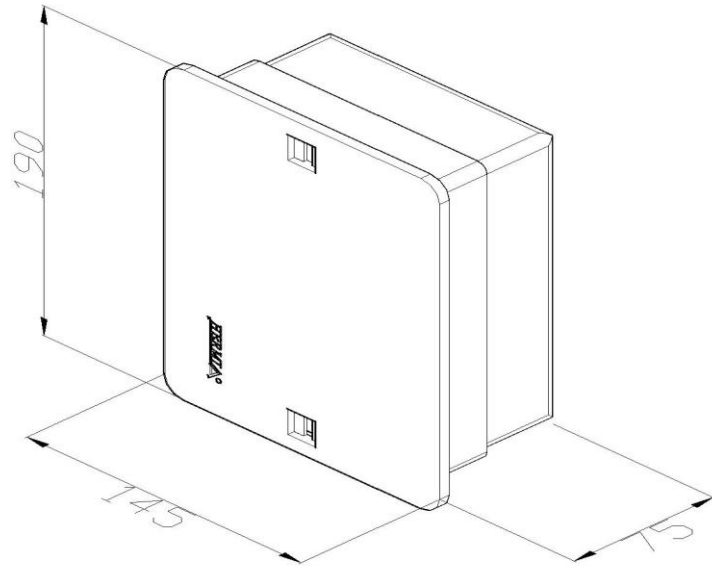


Product: H/RIP Equipotential bonding bar

Product code: 20550

Equipotential bonding bar



Standard:	EN IEC 62561-2:2018 : Lightning Protection System Components (LPSC) - Part 2: Requirements for conductors and earth electrodes
Dimensions:	Length: 145 mm
	Width: 75 mm
	Height: 190 mm
	Diameter:
	Conductor dimensions: conductor1 P up to 30 mm, conductor2 7x16 mm ²
	Weight: 0,6 kg
Material:	Resistant synthetic material - stainless steel