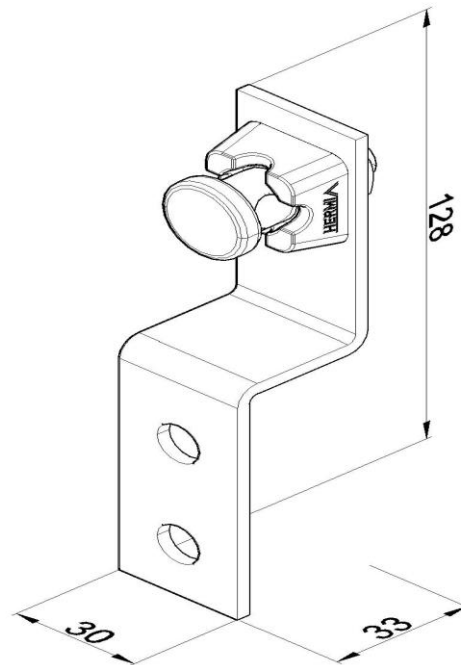


Product: KON32 C

Product code: 40649

Clamp intended for potential equalisation



Standard:	EN IEC 62561-2:2018 : Lightning Protection System Components (LPSC) - Part 2: Requirements for conductors and earth electrodes
Dimensions:	Length: 33 mm
	Width: 30 mm
	Height: 128 mm
	Diameter:
	Conductor dimensions: ϕ 8-10 mm
Material:	Stainless steel/hot-dip galvanized sheet metal