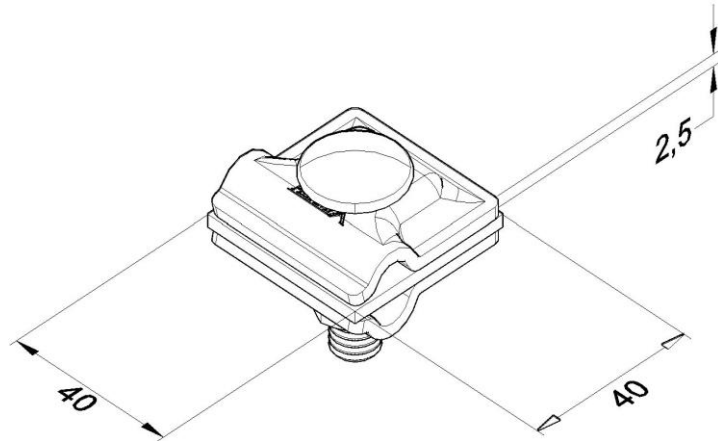


**Product:** KON04 C SIMPLE

**Product code:** 50523

Contact clamp for lightning conductor



|   |   |
|---|---|
| <b>Standard:</b>                          | EN 62561-1:2017: Lightning Protection System Components (LPSC) - Part 1: Requirements for connection components |
| <b>Dimensions:</b>                        | Length: 40 mm   |
|   | Width: 40 mm  |
|   | Height:   |
|   | Weight: 0,09 kg   |
|   | Conductor dimensions 1: $\phi 8-10$ mm  |
|   | Conductor dimensions 2: $\phi 8-10$ mm  |
| <b>Material:</b>                          | stainless steel   |
| <b>Withstand lightning current class:</b> | H   |