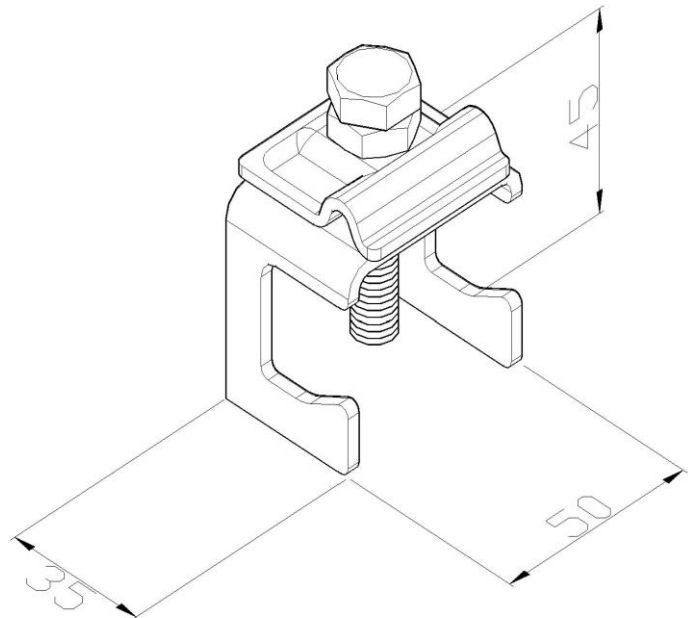


**Product:** KON09 A

**Product code:** 90123

Contact clamp for lightning conductor



<b>Standard:</b>	EN 62561-1:2017: Lightning Protection System Components (LPSC) - Part 1: Requirements for connection components
<b>Dimensions:</b>	Length: 50 mm
	Width: 35 mm
	Height: 45 mm
	Weight: 0,15 kg
	Conductor dimensions 1: P up to 40 mm
	Conductor dimensions 2: <=20 mm
<b>Material:</b>	steel
<b>Withstand lightning current class:</b>	N