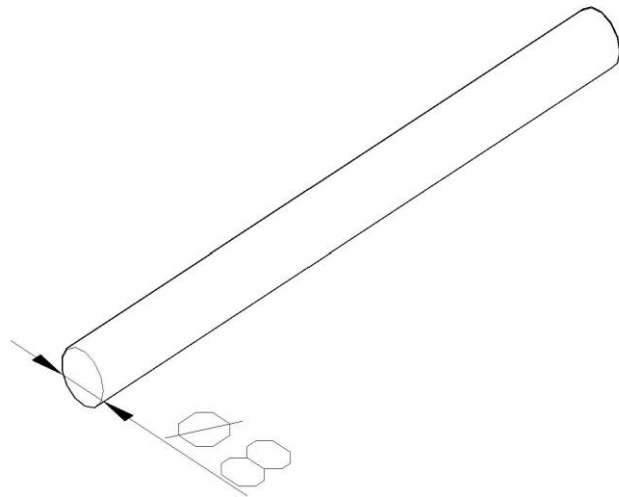


Product: RH3 conductor

Product code: 90300

Round conductor



Standard:	EN IEC 62561-2:2018 : Lightning Protection System Components (LPSC) - Part 2: Requirements for conductors and earth electrodes
Dimensions:	Length: 40-120 m
	Dimension: $\phi 8$ mm
	Weight: 0,4 kg/m
Material:	Stainless steel
Tensile strength:	400 N/mm ² - 770 N/mm ²
Maximum electrical resistivity:	0,80 $\mu\Omega$ m