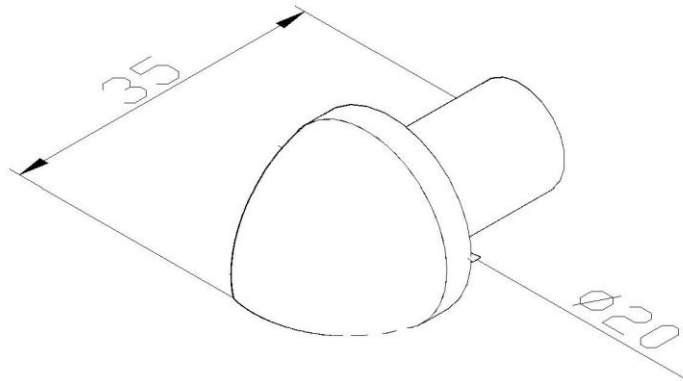


Product: Nib for POS Rf

Product code: 90712

Nib for the POS Rf rod



| | |
|--------------------|--|
| Standard: | EN IEC 62561-2:2018 : Lightning Protection System Components (LPSC) - Part 2: Requirements for conductors and earth electrodes |
| Dimensions: | Length: 35 mm |
| | Width: |
| | Height: |
| | Diameter: 20 mm |
| | Conductor dimensions: |
| | Weight: 0,44 kg |
| Material: | Stainless steel |