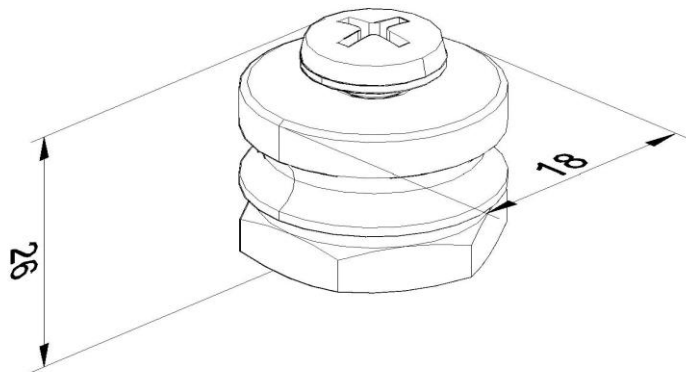


**Product:** MS

**Product code:** 110022

Contact clamp for lightning conductor



<b>Standard:</b>	EN 62561-1:2017: Lightning Protection System Components (LPSC) - Part 1: Requirements for connection components
<b>Dimensions:</b>	Length:
	Width: 18 mm
	Height: 26 mm
	Weight: 0,03 kg
	Conductor dimensions 1: 16 mm <sup>2</sup>
	Conductor dimensions 2:
<b>Material:</b>	brass/stainless steel
<b>Withstand lightning current class:</b>	