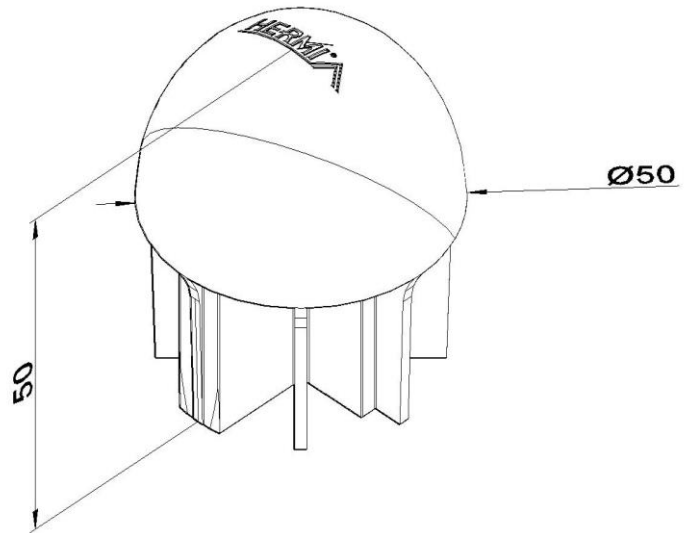


**Product:** ZP ProCap

**Product code:** 110045

Protective cap



<b>Standard:</b>	EN IEC 62561-2:2018 : Lightning Protection System Components (LPSC) - Part 2: Requirements for conductors and earth electrodes
<b>Dimensions:</b>	Length: 50 mm
	Width: 50 mm
	Height: 50 mm
	Diameter:
	Conductor dimensions: $\phi 8-10/P 20-40$ mm
	Weight: 0,02 kg
<b>Material:</b>	