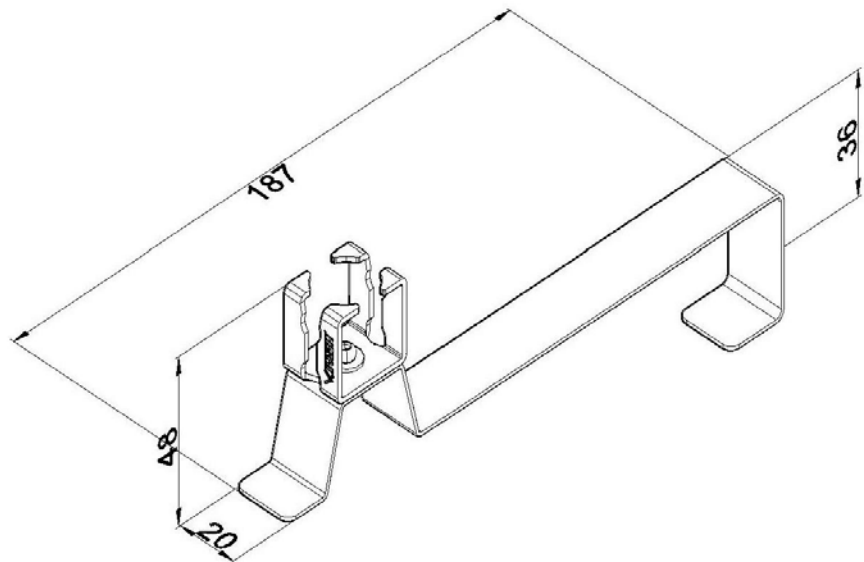


Product: SON12 A

Product code: 112204

Roof conductor fastener



Standard:	EN 62561-4:2017: Lightning protection system components (LPSC) - Part 4: Requirements for conductor fastener
Dimensions:	Length: 187 mm
	Width: 20 mm
	Height: 48 mm
	Conductor diameter: $\phi 8$ mm
Material:	Stainless steel