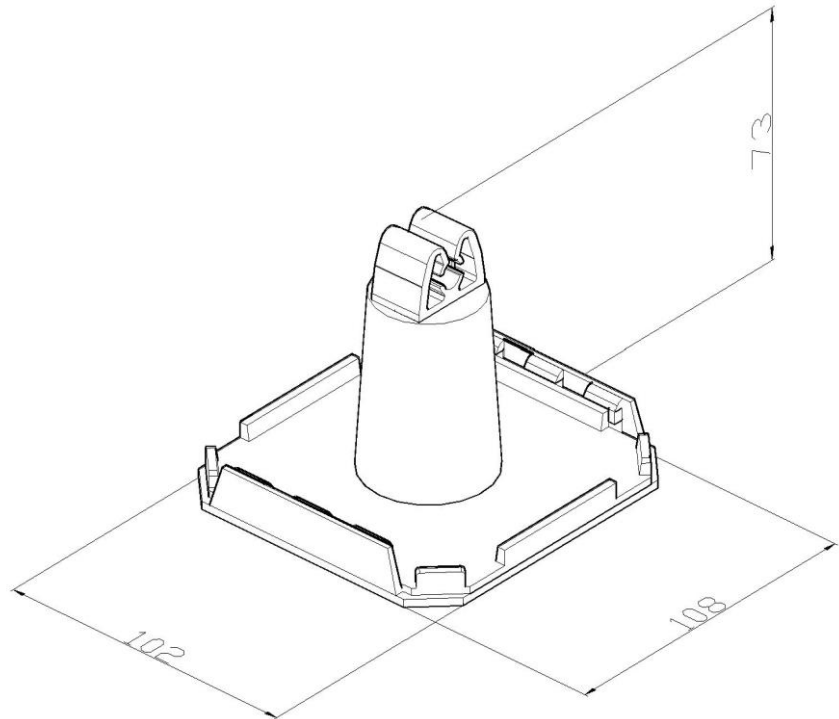


Product: SON17 A

Product code: 117220

Roof conductor fastener



Standard:	EN 62561-4:2017: Lightning protection system components (LPSC) - Part 4: Requirements for conductor fastener
Dimensions:	Length: 108 mm
	Width: 102 mm
	Height: 73 mm
	Conductor diameter: $\phi 8$ mm
	Weight: 0,07 kg
Material:	Polyetilen - UV resistant