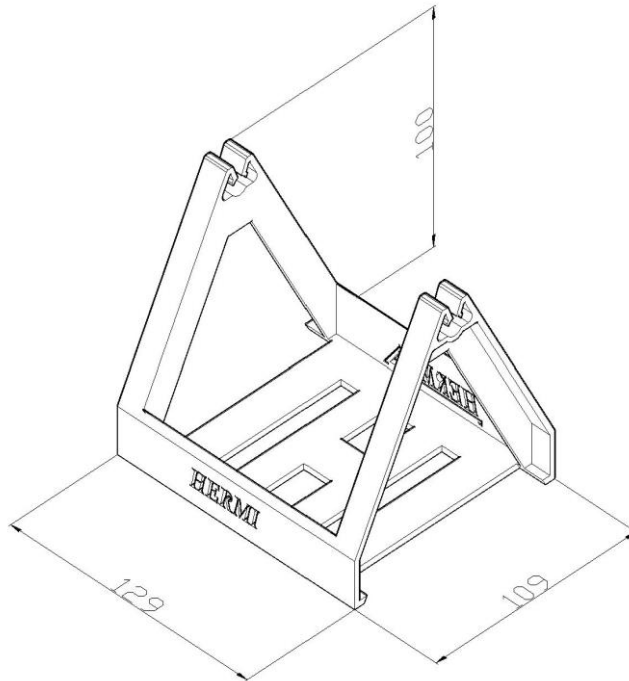


Product: SON17 C PP

Product code: 117227

Roof conductor fastener



Standard:	EN 62561-4:2017: Lightning protection system components (LPSC) - Part 4: Requirements for conductor fastener
Dimensions:	Length: 129 mm
	Width: 109 mm
	Height: 100 mm
	Conductor diameter: ϕ 8-10 mm
	Weight: 0,06 kg
Material:	Polypropylen