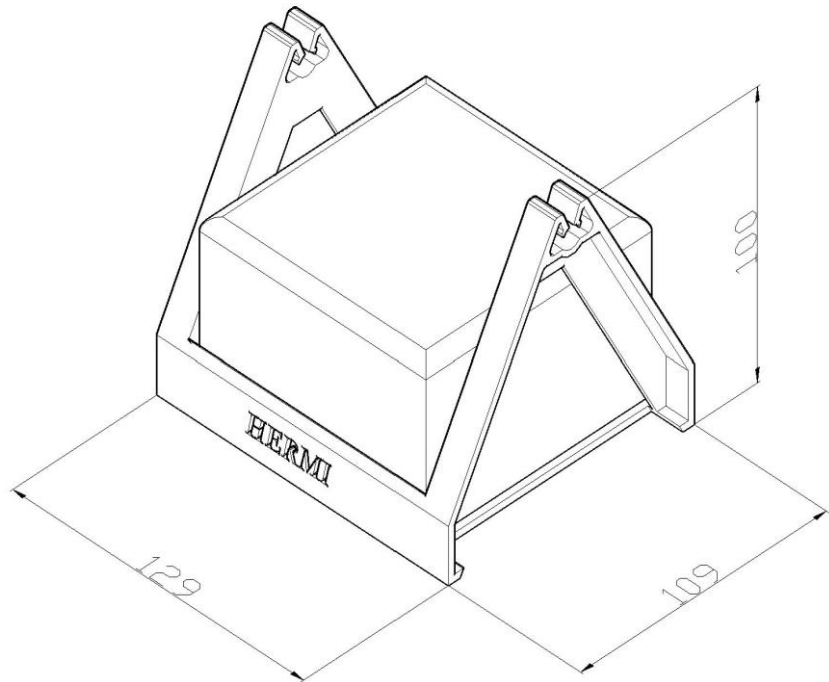


**Product:** SON 17 C

**Product code:** 117237

Roof conductor fastener



<b>Standard:</b>	EN 62561-4:2017: Lightning protection system components (LPSC) - Part 4: Requirements for conductor fastener
<b>Dimensions:</b>	Length: 129 mm
	Width: 109 mm
	Height: 100 mm
	Conductor diameter: $\phi$ 8-10 mm
	Weight: 1,39 kg
<b>Material:</b>	Concrete - polypropylen