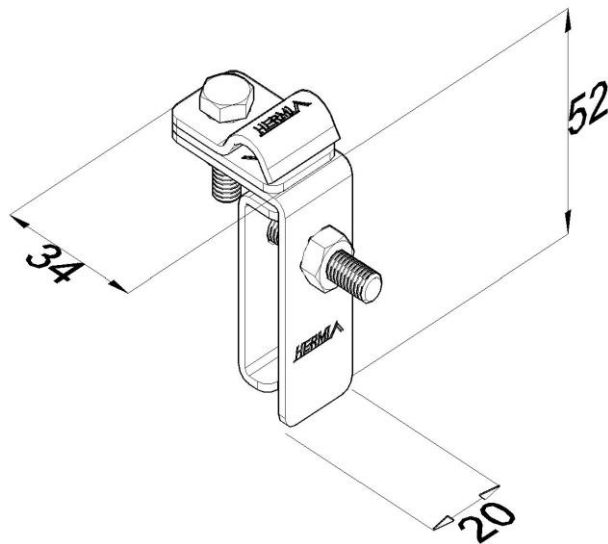


Product: KON20 B

Product code: 200123

Contact clamp for lightning conductor



Standard:	EN 62561-1:2017: Lightning Protection System Components (LPSC) - Part 1: Requirements for connection components
Dimensions:	Length: 20 mm
	Width: 34 mm
	Height: 52 mm
	Weight: 0,07 kg
	Conductor dimensions 1: ϕ 8-10 mm
	Conductor dimensions 2:
Material:	stainless steel
Withstand lightning current class:	N