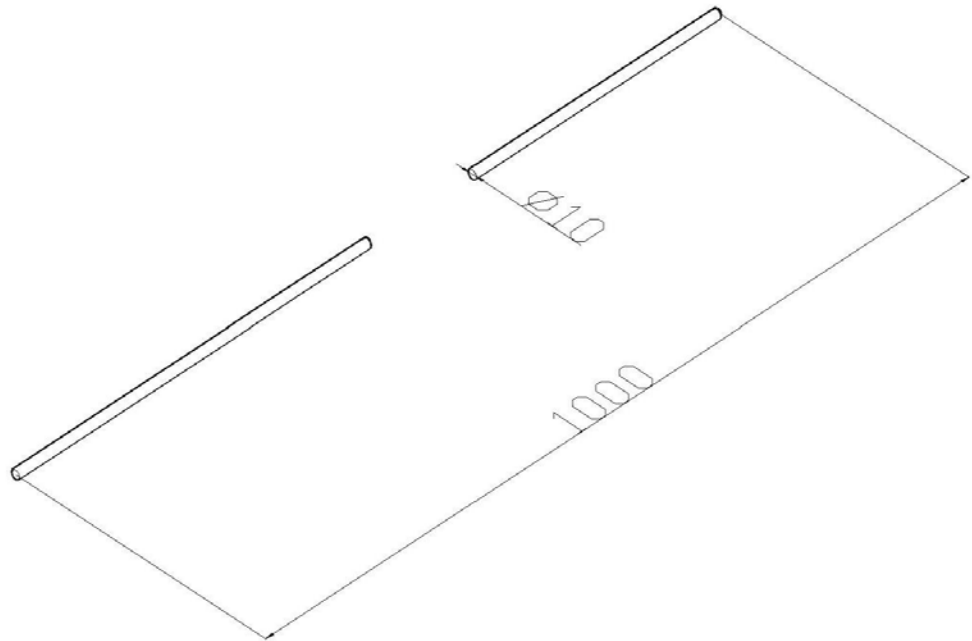


Product: LOP1,0

Product code: 300501

Lightning rod



Standard:	EN IEC 62561-2:2018: Lightning Protection System Components (LPSC) - Part 2: Requirements for conductors and earth electrodes
Dimensions:	Length: 1 m
	Diameter: $\phi 10$ mm
	Weight: 0,21 kg
Material:	Aluminium
Maximum wind load:	45 m/s