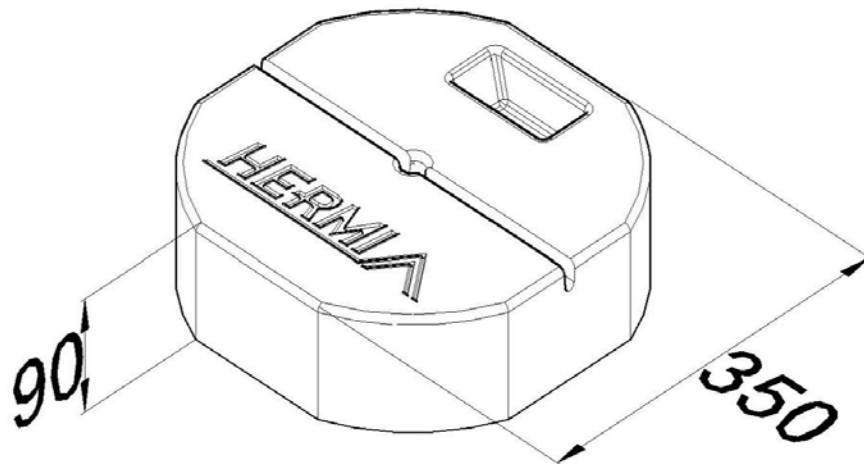


**Product:** LOP-PB2

**Product code:** 301494

Attachment kit suitable for placing lightning rods on flat roofs



<b>Standard:</b>	EN IEC 62561-2:2018: Lightning Protection System Components (LPSC) - Part 2: Requirements for conductors and earth electrodes
<b>Dimensions:</b>	Length: 350 mm
	Width:
	Height: 90 mm
	Diameter:
	Weight: 18 kg
<b>Material:</b>	Concrete