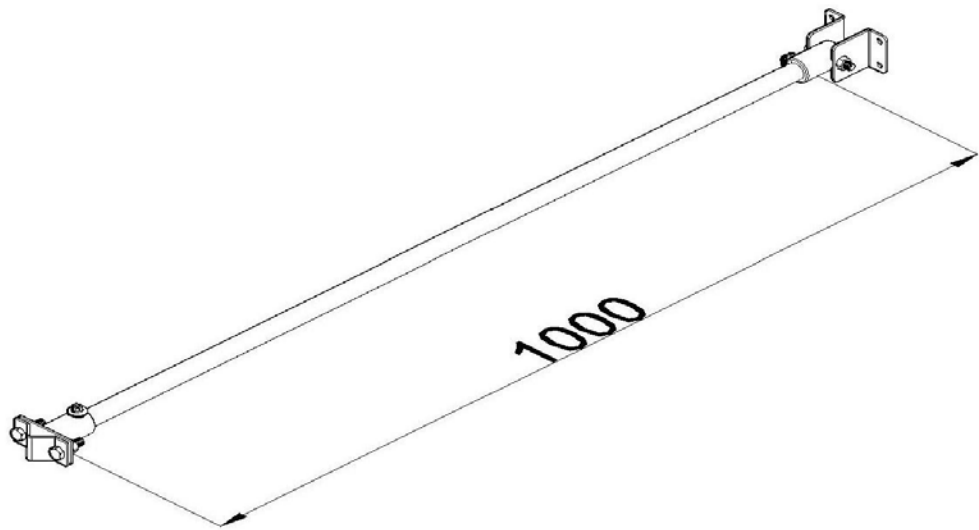


Product: LOP-"I" DIST

Product code: 301506

Distance element for fixing lightning rods



Standard:	EN IEC 62561-2:2018: Lightning Protection System Components (LPSC) - Part 2: Requirements for conductors and earth electrodes
Dimensions:	Length: 1000 mm
	Width:
	Height:
	Diameter:
	Weight: 0,68 kg
Material:	Stainless steel - polyester with UV resistant glass fibres