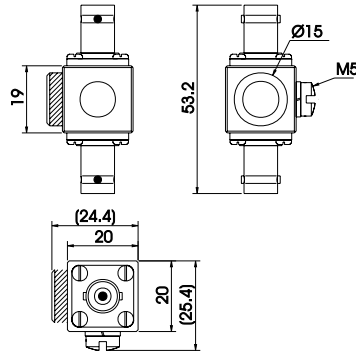


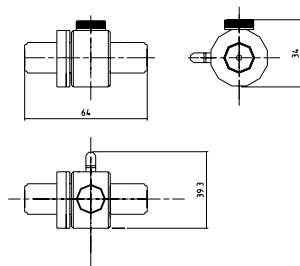
IT Systems



KO-1G, KO-2G

KO*G is an innovated coaxial high-frequency protection range designed for protection of equipment connected to an aerial system by means of coaxial cables. Special gas discharge tubes with maximum discharge current $I_{max} (8/20) = 10\text{kA}$ ensure a reliable protection of the receiving and transmitting systems even against a lightning stroke nearby. Hermi company offers a wide range of coaxial protectors for various connector types and transmission power grades enabling usage in many applications. These coaxial protectors are recommended for use in the Lightning Protection Zones Concept at the boundaries of LPZ $0_{A(B)}$ -1 and higher according to EN 62305

TYPE		KO-1G	KO-2G
Connector type		BNC	BNC
Max. continuous operating voltage	U_c	72 V	200 V
Nominal current	I_N	2,5 A	2,5 A
D1 Max. lightning impulse current (10/350)	I_{imp}	2 kA	2 kA
C2 Max. discharge current (8/20)	I_{max}	10 kA	10 kA
C2 Nominal discharge current (8/20)	I_n	5 kA	5 kA
Voltage protection level at 1kV/ms	U_p	500 V	600 V
Frequency range		0-1 GHz	0-1 GHz
Max. transmission power capacity		50 W	400 W
Insertion loss		< 0,2 dB	< 0,2 dB
Return loss		> 20 dB	> 20 dB
Characteristic impedance		50 Ω	50 Ω
Category tested acc. to IEC 61643:21-2000		A2, B2, C2, C3, D1	
Article number		77 55 001	77 55 002



KO*GN, KO-5GN, KO-6GN

TYPE		KO-3GN (F/F)	KO-3GN (F/M)	KO-4GN (F/F)	KO-4GN (F/M)
Connector type		N	N	N	N
Max. continuous operating voltage	U_c	72 V	72 V	200 V	200 V
Nominal current	I_N	5 A	5 A	5 A	5 A
D1 Max. lightning impulse current (10/350)	I_{imp}	2 kA	2 kA	2 kA	2 kA
C2 Max. discharge current (8/20)	I_{max}	10 kA	10 kA	10 kA	10 kA
C2 Nominal discharge current (8/20)	I_n	5 kA	5 kA	5 kA	5 kA
Voltage protection level at 1kV/ms	U_p	500 V	500 V	600 V	600 V
Frequency range		0-3 GHz	0-3 GHz	0-3 GHz	0-3 GHz
Max. transmission power capacity		50 W	50 W	400 W	400 W
Insertion loss		< 1,5 dB	< 1,5 dB	< 1,5 dB	< 1,5 dB
Return loss		> 20 dB	> 20 dB	> 20 dB	> 20 dB
Characteristic impedance		50 Ω	50 Ω	50 Ω	50 Ω
Category tested acc. to IEC 61643:21-2000		A2, B2, C2, C3, D1			
Article number		77 55 018	77 55 019	77 55 020	77 55 021