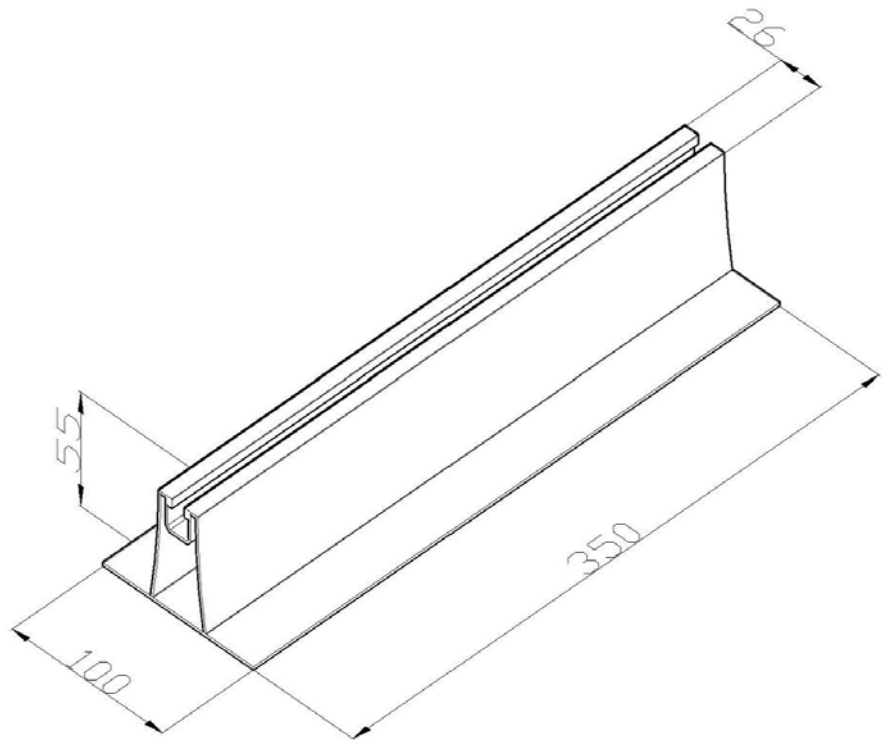


Product: SOL-N16-P

Product code: 88000078

A mounting profile



| | |
|--------------------|----------------------------|
| Dimensions: | Length: 350 mm |
| | Width: 100 mm |
| | Height: 55 mm |
| | Material thickness: 1,4 mm |
| | Weigh: |
| Material: | Aluminium |