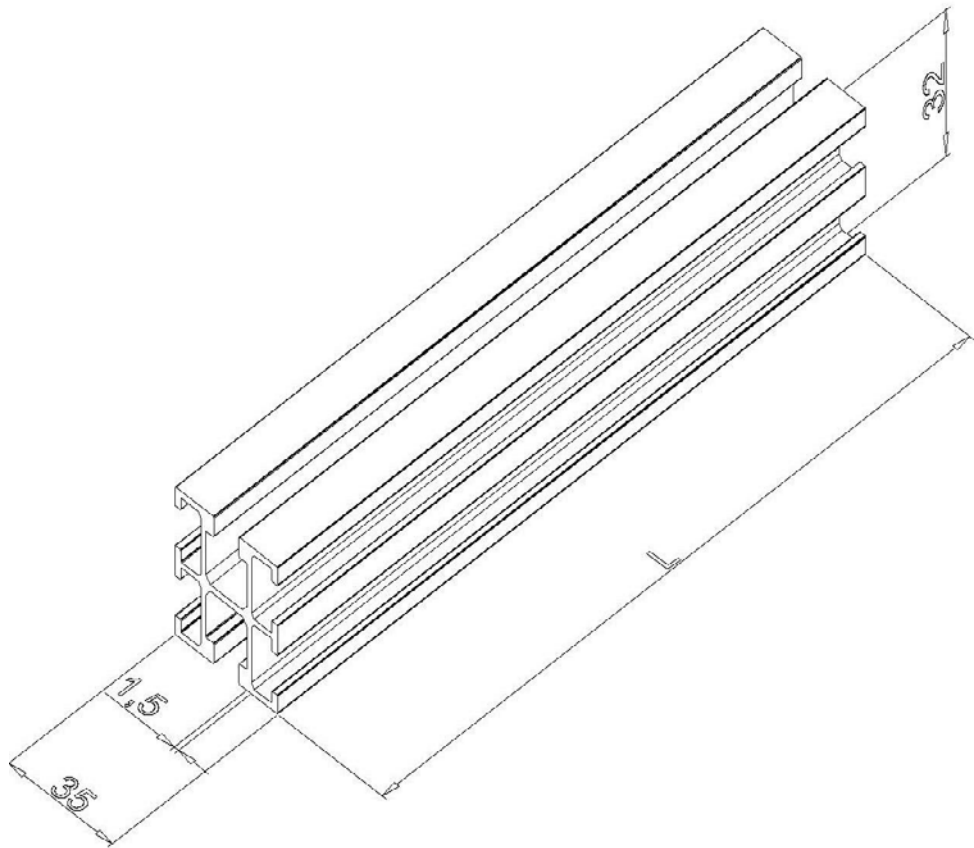


**Product:** SOL - P03

**Product code:** 88000104

A mounting profile



<b>Dimensions:</b>	Length: 6,2 m
	Width: 32 mm
	Height: 35 mm
	Material thickness: 1,5 mm
	Weigh: 0,778 kg
<b>Material:</b>	Aluminium