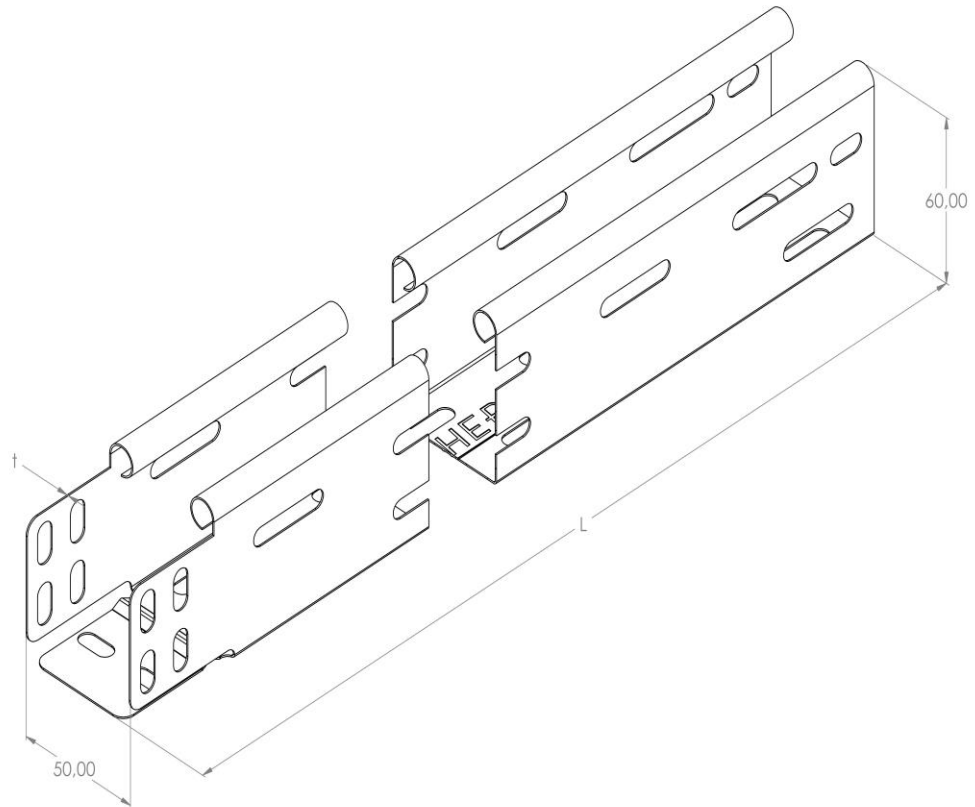


Product: KPA 60/50

Product code: 88302100

Cable trays of 60 mm in height



Standard:	EN 61537:2007 Cable management - Cable tray systems and cable ladder systems
Dimensions:	Length: 2000 mm
	Width: 50 mm
	Height: 60 mm
	Metal thickness: 1,00 mm
Weight:	1 kg
Material:	Aluminum
Contribution to fire:	Non-flame propagating system
Electrical characteristics:	Electrically conductive system
Electrical continuity:	Yes
Corrosion resistance:	Class
Perforation:	Class B
Temperature:	Min: -20°C; Max: +105°C