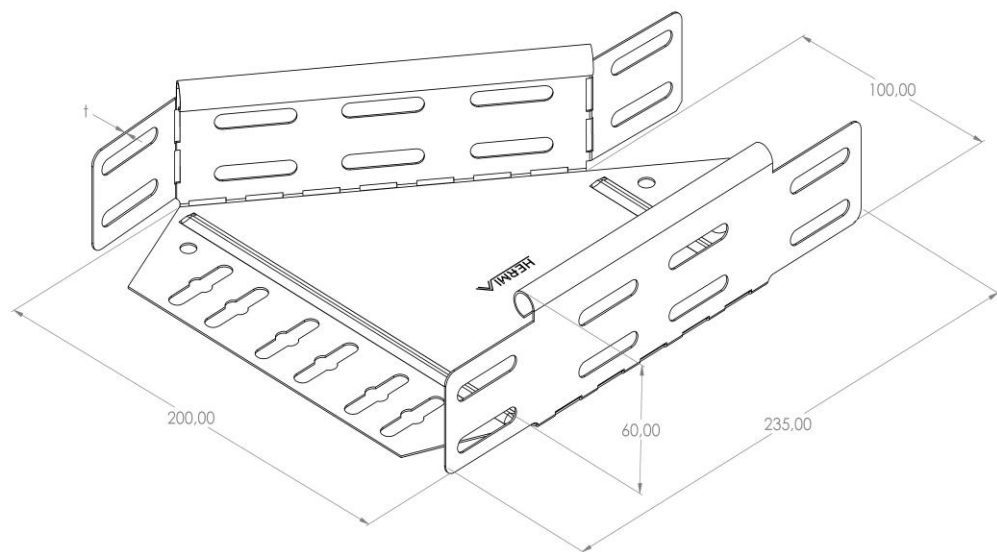


Product: PKP-REL 60/200/100

Product code: 88701211

Reduction element - left



Standard:	EN 61537:2007 Cable management - Cable tray systems and cable ladder systems
Dimensions:	Length: 235 mm
	Width: Reduced width 200/100 mm
	Height: 60 mm
	Metal thickness: 0,80 mm
Weight:	0,35 kg
Material:	Galvanised steel
Contribution to fire:	Non-flame propagating system
Electrical characteristics:	Electrically conductive system
Electrical continuity:	Yes
Corrosion resistance:	Class 3
Temperature:	Min: -20°C; Max: +105°C