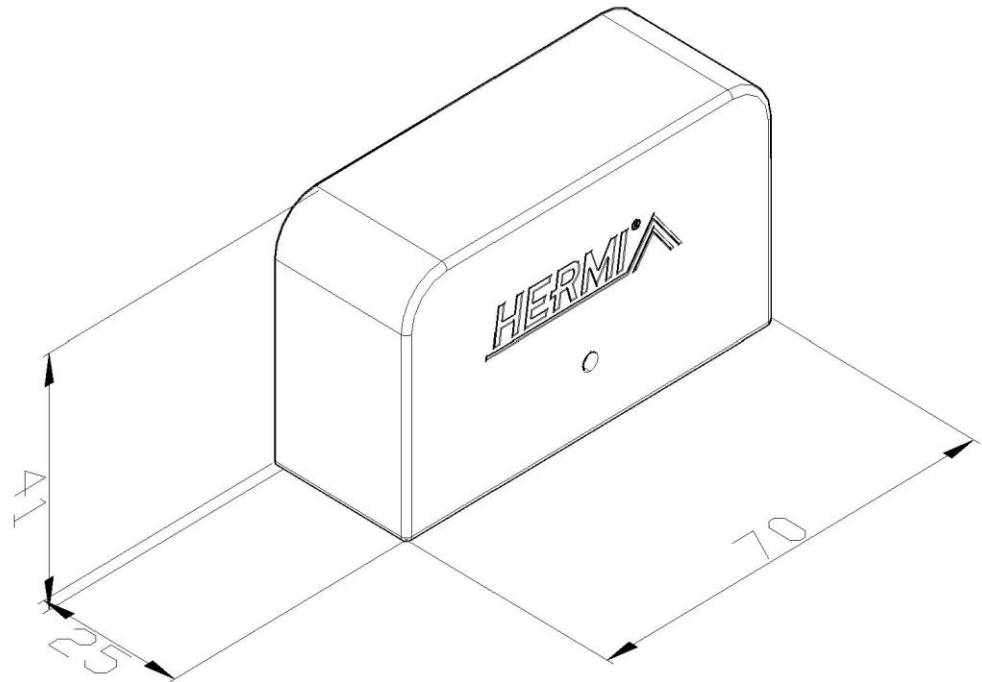


Product: ZP-VNV/SNU

Product code: 88706505

Protective caps



Standard:	EN 61537:2007 Cable management - Cable tray systems and cable ladder systems
Dimensions:	Length: 70 mm
	Width: 25 mm
	Height: 41 mm
	Metal thickness: 1,8 mm
Weight:	0,01 kg
Material:	LDPE
Contribution to fire:	Non-flame propagating system
Electrical characteristics:	Electrically conductive system
Electrical continuity:	Yes
Corrosion resistance:	Class
Temperature:	Min: -20°C; Max: +105°C