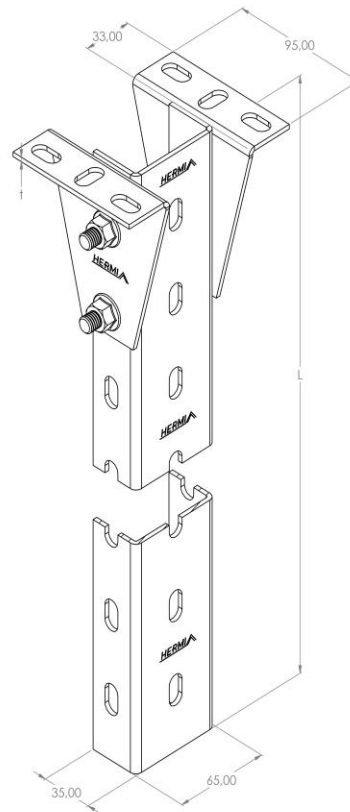


Product: NKP-SNU/P 750

Product code: 88707102

Hanging bracket



|                                    |  |
|------------------------------------|--|
| <b>Standard:</b>                   | EN 61537:2007 Cable management - Cable tray systems and cable ladder systems |
| <b>Dimensions:</b>                 | Length: 65 mm  |
|                                    | Width: 35 mm   |
|                                    | Height: 750 mm   |
|                                    | Metal thickness: 3 mm  |
| <b>Maximum bending moment:</b>     | 0,9 kNm  |
| <b>Weight:</b>                     | 2,5 kg   |
| <b>Material:</b>                   | Galvanised steel   |
| <b>Contribution to fire:</b>       | Non-flame propagating system   |
| <b>Electrical characteristics:</b> | Electrically conductive system   |
| <b>Electrical continuity:</b>      | Yes  |
| <b>Corrosion resistance:</b>       | Class 3  |
| <b>Temperature:</b>                | Min: -20°C; Max: +105°C  |