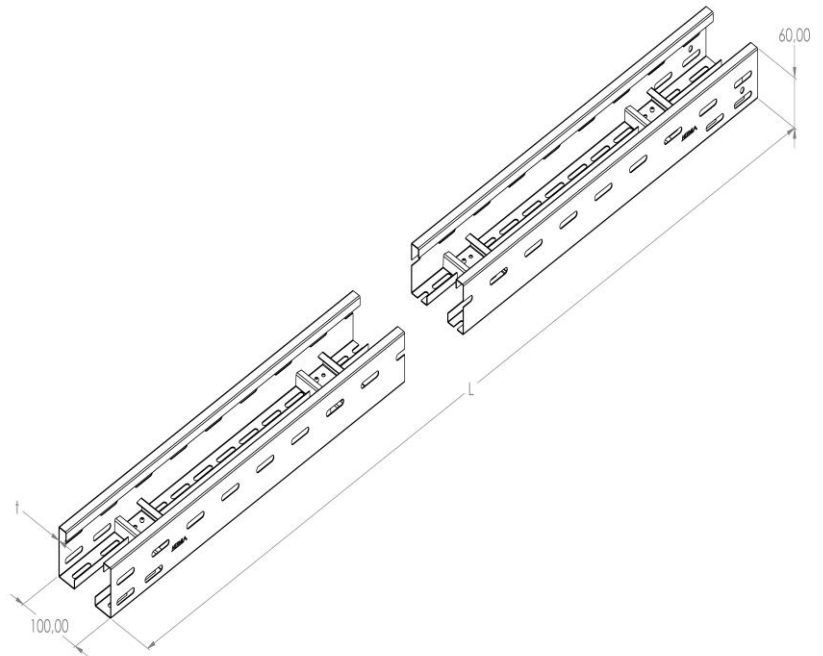


Product: KL 60/100

Product code: 88710611

Cable ladders of 60 mm in height



Standard:	EN 61537:2007 Cable management - Cable tray systems and cable ladder systems
Dimensions:	Length: 3000 mm
	Width: 100 mm
	Height: 60 mm
	Metal thickness: 1 mm
Weight:	6,10 kg
Material:	Hot-dip galvanised steel
Contribution to fire:	Non-flame propagating system
Electrical characteristics:	Electrically conductive system
Electrical continuity:	Yes
Corrosion resistance:	Class 6
Perforation:	Class Y
Temperature:	Min: -20°C; Max: +105°C

Permissible load KL 60/100 d=1,0mm (kN/m)

