



Power of Nature, Supremacy of Knowledge



# Cable Trays and Cable Ladders

---

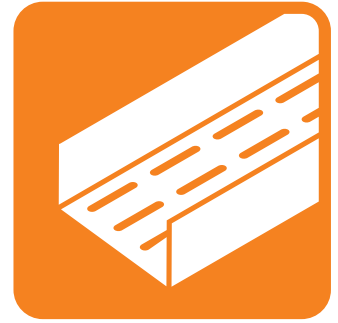
ISSUE 6

[WWW.HERMI-SOLUTIONS.COM](http://WWW.HERMI-SOLUTIONS.COM)

# POWER OF NATURE, SUPREMACY OF KNOWLEDGE

**HERMI**<sup>®</sup> 

The Hermi company is renowned as a high-tech business both in Slovenia and abroad, which has built its standing with the highest quality of products and solutions for comprehensive external and internal protection against the effects of lightning and overvoltage, cable trays and mounting systems for photovoltaics.



# Cable Trays and Cable Ladders

---

ISSUE 6

	<b>About Hermi</b>	<b>2</b>
<b>HERMI cable trays and cable ladders</b>		<b>6</b>
	<b>Examples of installation</b>	<b>8</b>
<b>Cable trays and cable ladders</b>		<b>15</b>
	<b>Product Index</b>	<b>208</b>



## AN INNOVATIVE COMPANY WITH ITS OWN MANUFACTURE WITH A FOCUS ON THE CUSTOMER'S NEEDS

We are an innovation-oriented company which through its development and own production of products offers comprehensive customised solutions of the highest quality. The sales programme under the Hermi brand comprises top-quality lightning protection, surge protection, cable trays and mounting systems. The HERMI product range is the result of the company's commitment to development and continuous professional progress. With its long-term vision oriented to customers and business partners, the company strategically develops its innovative offer which stands out for its flexibility and versatility of use. We are proud to offer multiple solutions from our production range at a single point. Hereby, we assure our clients comprehensive expert technical support, timely delivery, and support with technical documentation.



We upgrade our business operations each year. This means that we must be better than the year before. The world keeps turning! And not only our competition is not sleeping, the expectations of our customers also grow each day. Our and also my focus is always to be a step ahead of our customers!

– Miran Rauter, Director



## OUR MISSION AND VISION: years-long experience and innovative solutions to satisfy the needs of our customers

We use our knowledge, experiences and innovative ideas to fulfil needs and wishes of our customers for high quality products. Using state-of-the-art technology we develop and produce the protection programme which sets new standards protecting the lives of individuals and property. Our own innovations help us to adjust the programme of cable trays and cable ladders to individual needs with type-adjusted elements. Our mounting systems programme provides simple assembly to our customers.

Through innovations and expertise we will continue to develop our Hermi trademark which is a result of over thirty years of successful operation. We have achieved a competitive advantage of a comprehensive, external and internal lightning protection and quality and advanced production of cable and mounting systems, and thus we will in particular focus on challenges of internationalisation of our operation. We wish to become a leading provider of external and internal lightning protection, cable trays and cable ladders and own professional solutions, increase our market share in other European countries and focus on countries beyond Europe's borders.

## OUR STRATEGY: an innovative, competitive and comprehensive range

We attain the goals and vision of the company through innovative products, a competitive range of products, excellent technical support and efficiency and rapidness of execution. Our advantage is that we are in constant contact with contractors, investors and end-users who are aware of the importance of quality products.

## PRODUCTION PROGRAMME AND ACTIVITIES of the Hermi company

Under our own Hermi® brand we provide manufacture, sales and assembly of:



**LIGHTNING PROTECTION**



**SURGE PROTECTION**



**CABLE TRAYS**



**MOUNTING SYSTEMS**

We also offer comprehensive expert technical support and consultations.

## Standards and collaboration with industry

The Hermi product programme and trade mark are protected. All our products comply with strict national standards which are harmonised with European and international standards. We have successfully conducted tests and obtained all required international certificates.

In the field of quality assurance and development of our products we cooperate with various institutions and work within the scope of relevant standards. Our collaboration with industry is very significant since it helps us develop innovations and make progress in the industry.

Our knowledge, long experience and innovative ideas enable us to fulfil the needs and wishes of our customers to have quality products for lightning and surge protection. In the field of production of cable trays and ladders we provide the highest quality which has already been recognised by design engineers, contractors and end-users. The quality of E90 cable trays is proven by successful tests of fire resistance in a certified test laboratory.

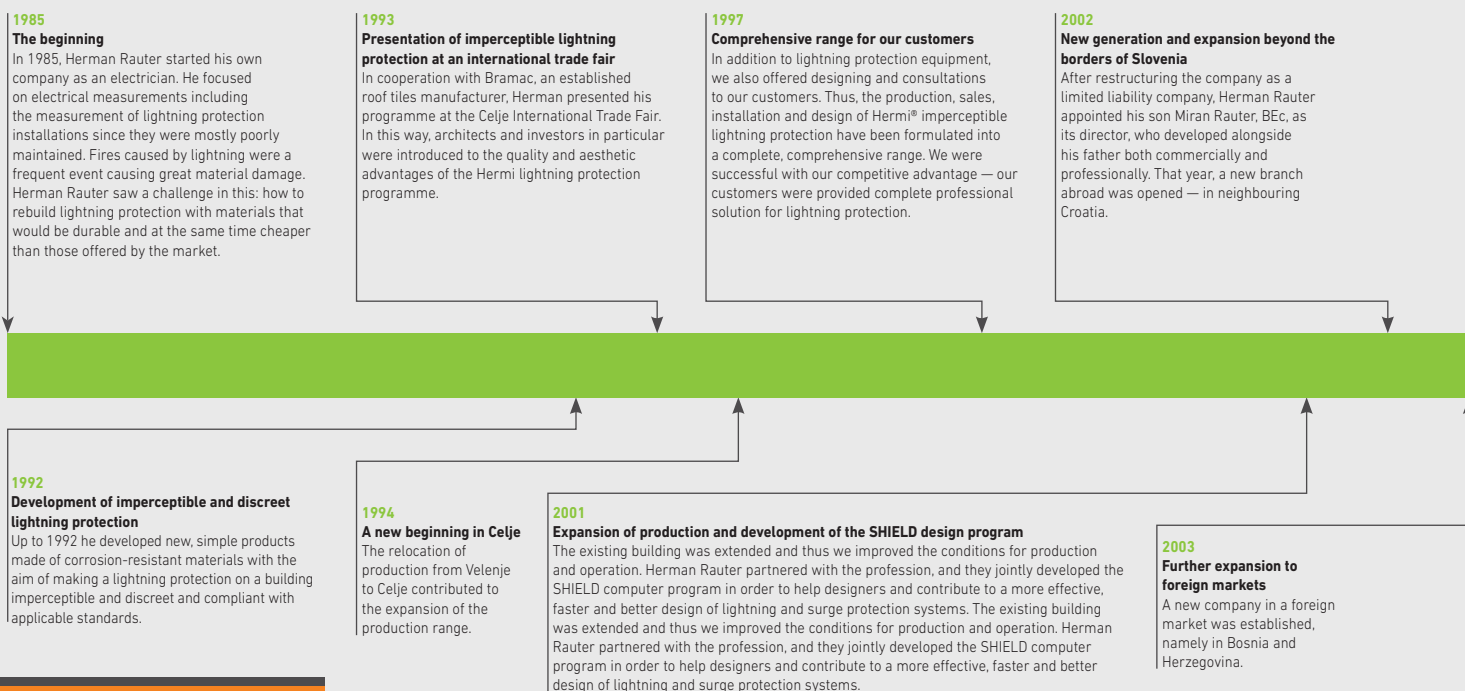
### QUALITY OF HERMI® PRODUCTS IS CONFIRMED BY INTERNATIONAL AND NATIONAL INDEPENDENT CERTIFICATION AUTHORITIES

- ISO 9001:2015
- IQNet
- ETIM International
- Expert evaluation of the M. V. Electric Power Research Institute
- Certificate of the Institute for the Electricity and Energy
- Certificate of the School of Electrical Engineering of the University of Belgrade
- Certificate of the Institute for Health Protection and Safety at Work
- Recommendations for roof coverings
- Production according to the German standard DIN 4102-12:1998 for fire resistance of cable paths



**ETIM**  
*International*

## Company's milestones

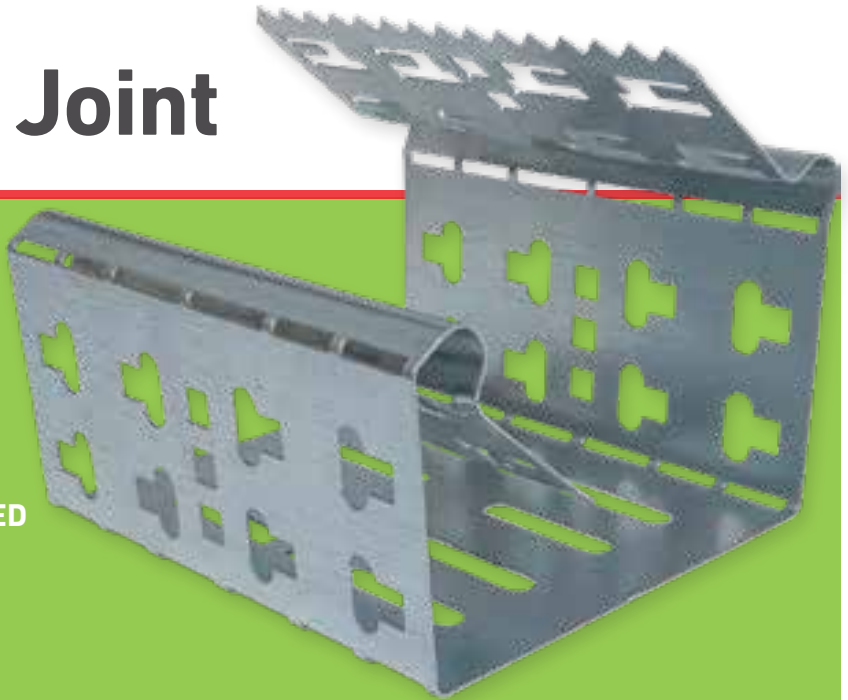




# HERMI® Fast Joint

HERMI® FAST JOINT IS INTENDED FOR QUICKER CONNECTION OF CABLE TRAYS WITHOUT USING BOLTS AND TOOLS, SAVING UP TO 40% OF THE TIME.

SUITABLE FOR JOINING TYPE-BASED AND CUT CABLE TRAYS. WITHOUT THE ADDITIONAL EQUIPOTENTIAL CONNECTION OF CABLE TRAYS.



- WITHOUT USING BOLTS
- WITHOUT USING ADDITIONAL TOOLS
- SAVING UP TO 40% OF INSTALLATION TIME
- FOR CONNECTION OF TYPE-BASED CABLE TRAYS
- FOR CONNECTION OF CUT CABLE TRAYS
- WITHOUT ADDITIONAL EQUIPOTENTIAL CONNECTION OF CABLE TRAYS



**2006**  
**New commercial building and expansion to foreign markets**

Due to the expansion of production, we built a new commercial building to conduct sales and storage of products. A company was established in Serbia.

**2008**  
**New markets**

We actively entered new markets – Romania, Russia, Bulgaria, Kosovo and Macedonia.

**2011**  
**New commercial-production building in Celje**

We built a new commercial-production building in Celje, as it was easier for us to implement the production plans and to meet the growing market demands.

**2012**  
**New commercial-production building in Croatia**

We finished the construction of a new commercial-production building in Croatia, in the vicinity of Zagreb.

**2013**  
**New markets**

We established a company in Romania – Hermi Protection srl. At the same time we started to be active in the Austrian and Hungarian markets too. We crossed the EU borders with projects in Saudi Arabia and other Arab States of the Gulf.

**2017**  
**Expansion of production and technological development**

Due to increased production, we built a new facility and thus provided space for new and technologically sophisticated machines.

**> The future**

Over the next few years we plan to build our own commercial buildings in all the countries where we already have our companies. We plan to expand our operation to those European markets where we are not present yet. We look to the future full of optimism – led by our goal to always be a step ahead of our customers

**2007**  
**Expansion of the range of products for surge protection systems**

We introduced the HERMI surge protection. Thus we managed to achieve that customers select all elements for external and internal surge protection at a single point.

**2009**  
**Production automation and international product certification**

We put a lot of energy and means into modernising and automating production and developing new products made according to European and international standards and harmonised national standards. Our products successfully underwent testing and obtained all required international certificates – also pursuant to IEC and EN standards.

**2015**  
**30th anniversary of business operation and awarded tradition**

We celebrated 30 years of operation and received the award of the Chamber of Commerce and Industry of the Republic of Slovenia. Miran Rauter, the company director, received the award for outstanding achievements in the field of economic and entrepreneurial achievements for 2015.

**2018**  
**Expansion to the north**

We founded a company in Austria and also entered the German market.

# HERMI CABLE TRAYS AND CABLE LADDERS

## MATERIALS

The HERMI® systems of cable trays and cable ladders are made of **quality materials**, which **enable durable** and **high quality cable paths**. The **basic version** of the cable tray is made of **quality galvanised sheet metal**, which has been subsequently perforated. These trays are **suitable for indoor, dry area use**.

**The next stage** of cable trays or cable ladders is made of **quality steel alloy**, which is subsequently **hot-dip galvanised**. In this case, the entire product has a quality protection from **external influences or corrosion**. The recommended use for this series of products is in **damp indoor areas and outdoors**, or in other words, in conditions that are somewhat more challenging than the previous ones.

**For more demanding atmospheric conditions**, we recommend the use of cable trays and cable ladders, **made of stainless steel**. This means both indoor and outdoor use. The stainless steel cable trays are especially suitable for **outdoor use**, as they are an **enduring solution for cable paths**. When the trays need to be cut during installation, **the cut edges won't corrode** and the placement remains enduring and of high quality.

Cable trays and cable ladders, **made of acid resistant stainless steel** represent the peak of the offer and are especially suited for the use in **the most demanding conditions**, such as food industry, chemical industry, purification plants, biogas plants, etc.

**Upon client request, we use powder paint to colour the shelves into the desired colour according to the RAL chart.**

In demanding conditions (food industry, paper industry,...) cable trays and cable ladders **made of aluminum** are used. They are non-corrosive, low weight and pose no threat to the environment.

### Legend:

LABEL	DESCRIPTION
■ FeZn	galvanised sheet metal (suitable for indoor use)
■ FeZn-H	hot-dip galvanised sheet metal
■ Rf	stainless steel (suitable for indoor and outdoor use)
■ FeZn - PVC	dust coloured galvanised sheet metal in the colours according to the RAL scale
■ Rf*H4	acid resistant stainless steel
■ Al	aluminum

## INSTALLATION

The HERMI® systems of cable trays and cable ladders enable simple, quick and efficient installation of cable paths. Due to the construction solutions, the tray connecting is of high quality and quick and ensures a suitable galvanic connection, while the connection between trays itself will not harm the cables.

Such quality connection is made possible without an additional interconnect, which does not only mean a better and quicker construction solution, but also an economically more favourable one. The edges of the trays are curved in a way that reduces the chances of injuries during installation to a minimum.

The covers of cable trays are type-based and enable quick and simple attachment by placing the cover onto the tray alone. An accomplished groove system on the cable trays and ladders enables both suitable cooling and air circulation and provides suitable support for the click system of cover attaching.

” The wide range of type-based brackets enables attachment of cable paths anywhere.



Quick and simple connection with only four bolts without unnecessary additional connecting elements saves time and money.



HERMI® Fast Joint - quick connection without the use of bolts and tools, which saves up to 40% of time.



## FLEXIBILITY

The HERMI® cable tray and cable ladder **systems** are **distinguished by a broad range of type-based elements**, which enable **quick construction of cable paths**. Most of the damage caused by installation occurs specifically during the installation of cable trays or ladders. The cause is mainly tray cutting or adjustment, whereby sharp edges are created. By using type-based interconnects (crossways, deviations, passages, knees...), additional interventions become unnecessary, thus saving valuable installation time.

## QUALITY

Along with the listed quality materials the HERMI® cable tray systems and cable ladders are made of, additional **quality is ensured by the precise and careful manufacture** and the inventive and accomplished form of the products. Along with the quality products, the planned connections are ensured with self-protected nuts and bolts, which prevent unscrewing, as well as ensure a suitable galvanic connection between the elements.

The capacity of cable trays and cable ladders depends on the number and distance between the brackets and exceeds the realistically expected loads, ensuring quality and long lasting cable paths.

The production programme also includes Cable trays, made of various thicknesses of sheet metal. Regarding loading level and area of use, they are divided to:

CLASS	DESCRIPTION
<b>N</b>	Cable trays suitable for normal use
<b>M</b>	Cable trays with increased loading level
<b>H</b>	Cable trays suitable for extreme areas of use

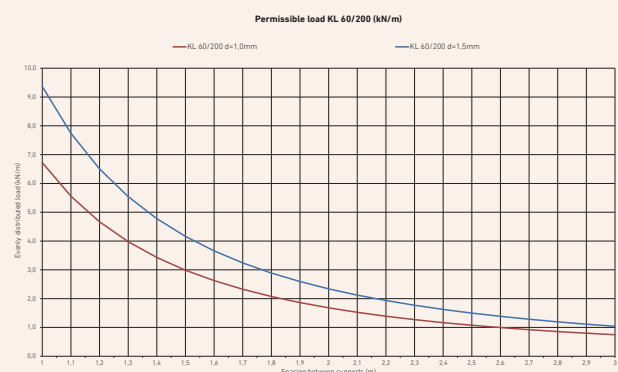
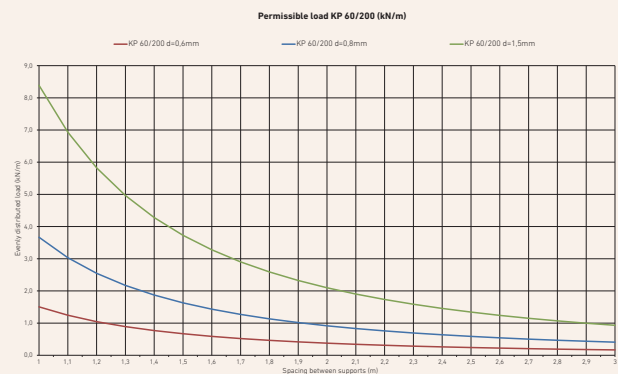
The loading level of a cable tray or ladder is the endurance of the tray or ladder with the predisposition, that suitable brackets are chosen and that they are installed on the wall or ceiling in a proper and quality manner!

### NOTES:

- Powder painting of cable trays and ladders, interconnects and brackets upon request!
- Possibility of manufacture of other dimensions of cable trays and ladders, interconnects and brackets upon request!

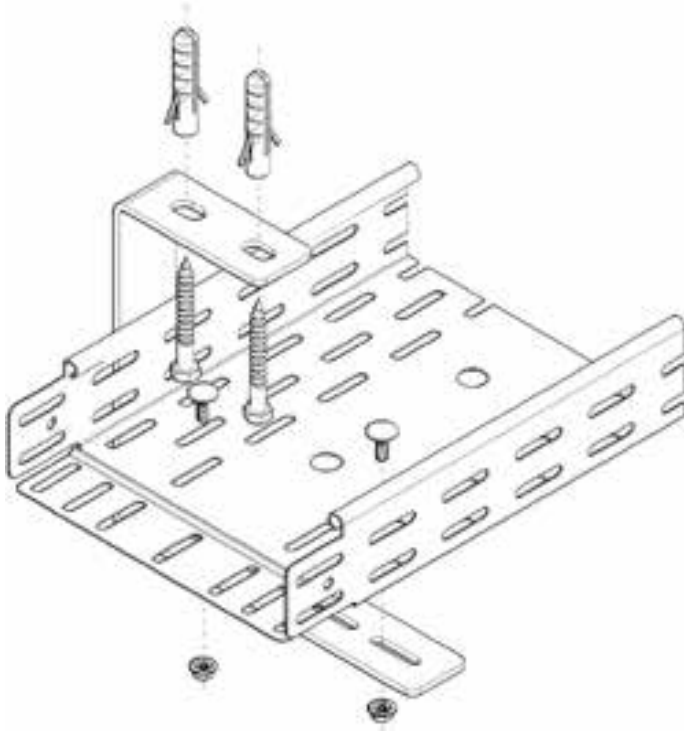


### Loading of cable trays KP 60/100 and cable ladder KL 60/200 is relative to distance between bearing elements (brackets).



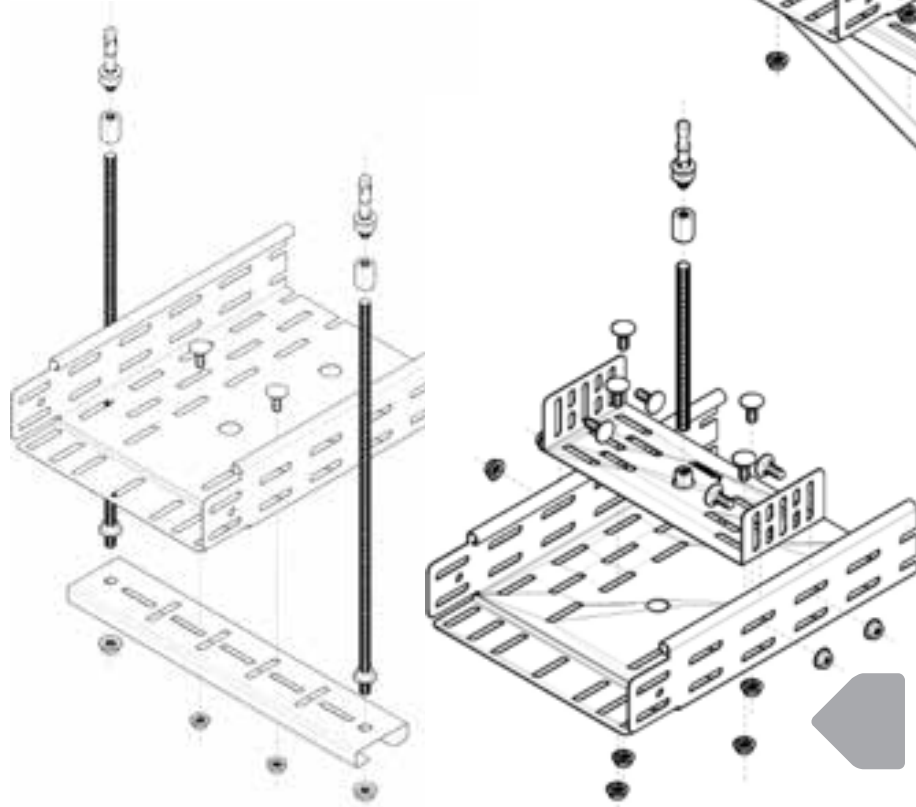
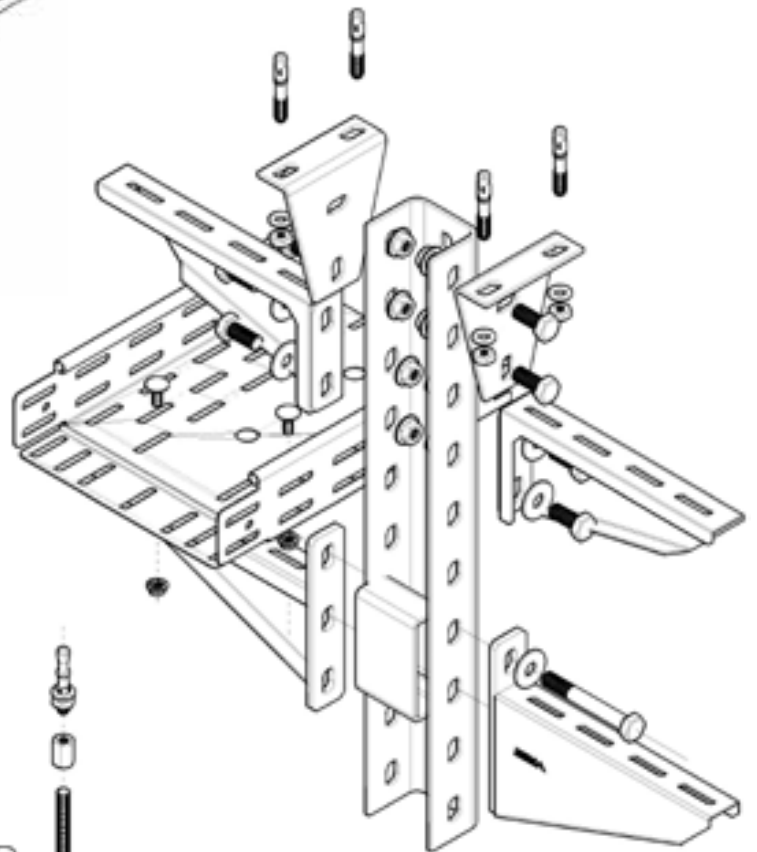
# EXAMPLES OF INSTALLATION

## INSTALLATION OF CABLE TRAYS ONTO THE CEILING



**FIGURE 1:**  
*Example of the installation of the cable tray onto the ceiling with the NKP-VNU bracket*

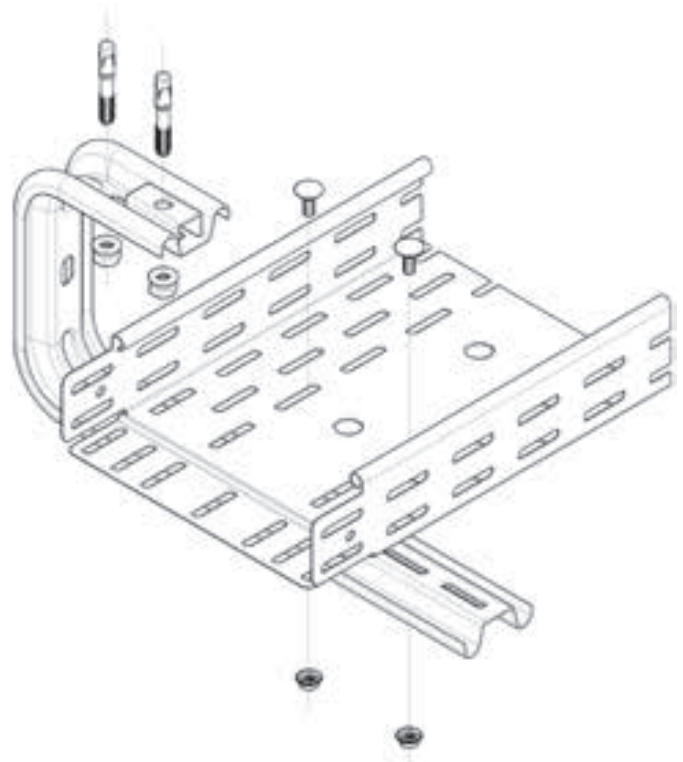
**FIGURE 2:**  
*Example of the installation of the cable tray onto the ceiling with the NKP-SNU + NKP-SNP bracket*



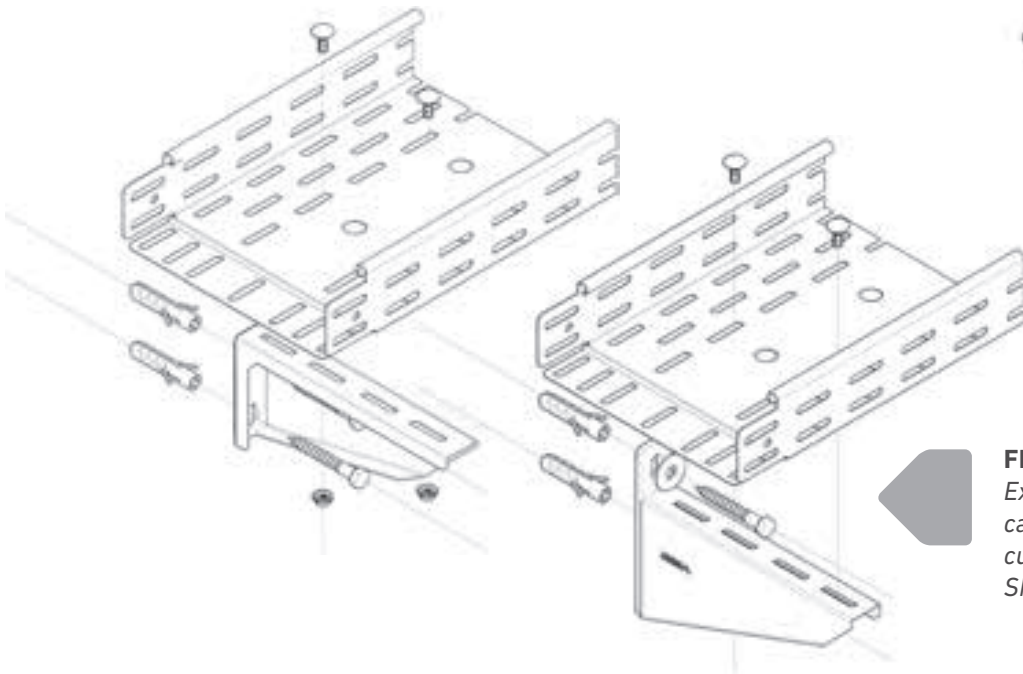
**FIGURE 3:**  
*Example of the installation of the cable tray onto the ceiling with threaded rod and the NKP-PL profile or NKP-VN hanging bracket*



**FIGURE 4:**  
 Example of the installation of the  
 cable tray onto the ceiling with the  
 NKP-VNU/OMEGA hanging bracket

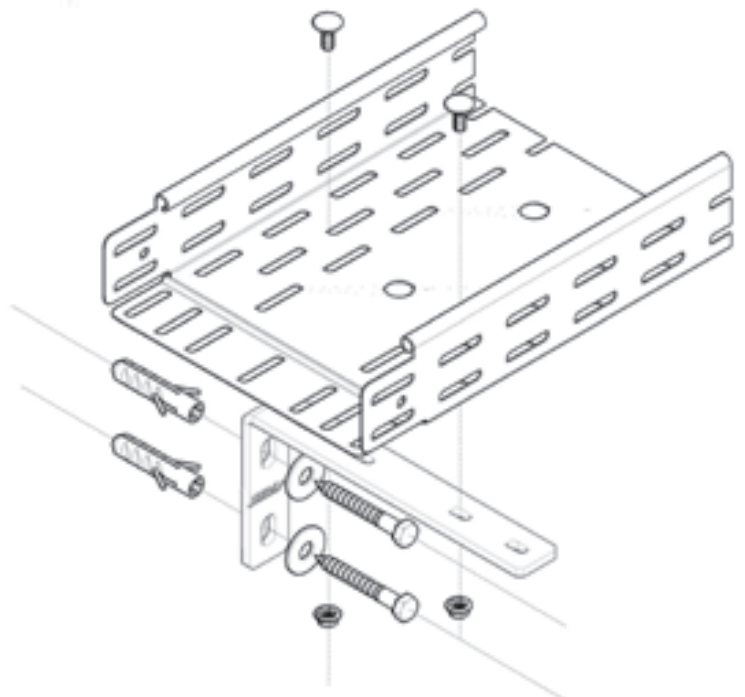


#### INSTALLATION OF CABLE TRAYS ONTO A WALL

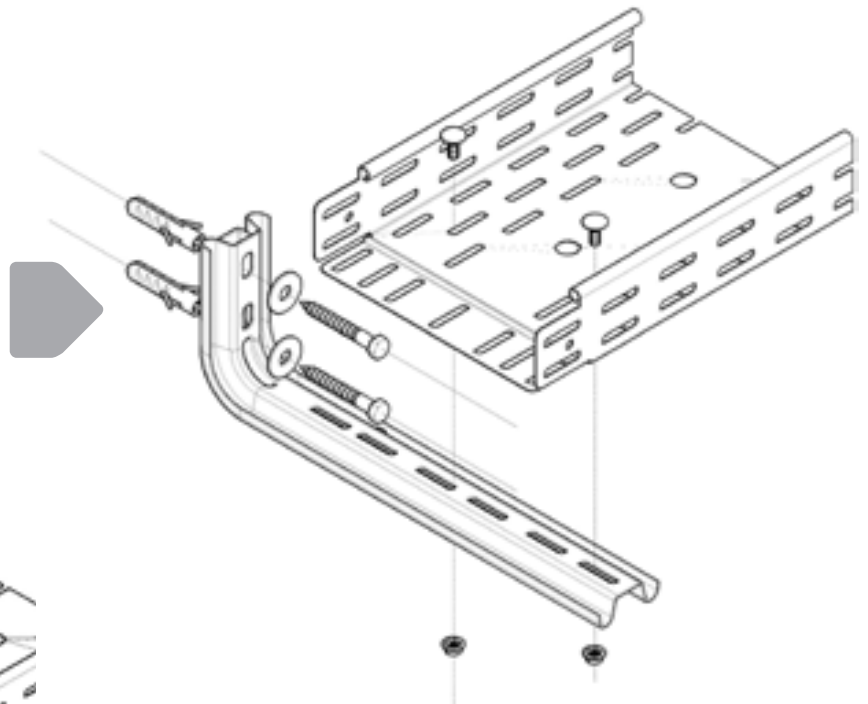


**FIGURE 5:**  
 Example of the installation of the  
 cable tray onto the wall with the  
 curved SNT wall bracket or welded  
 SNV bracket

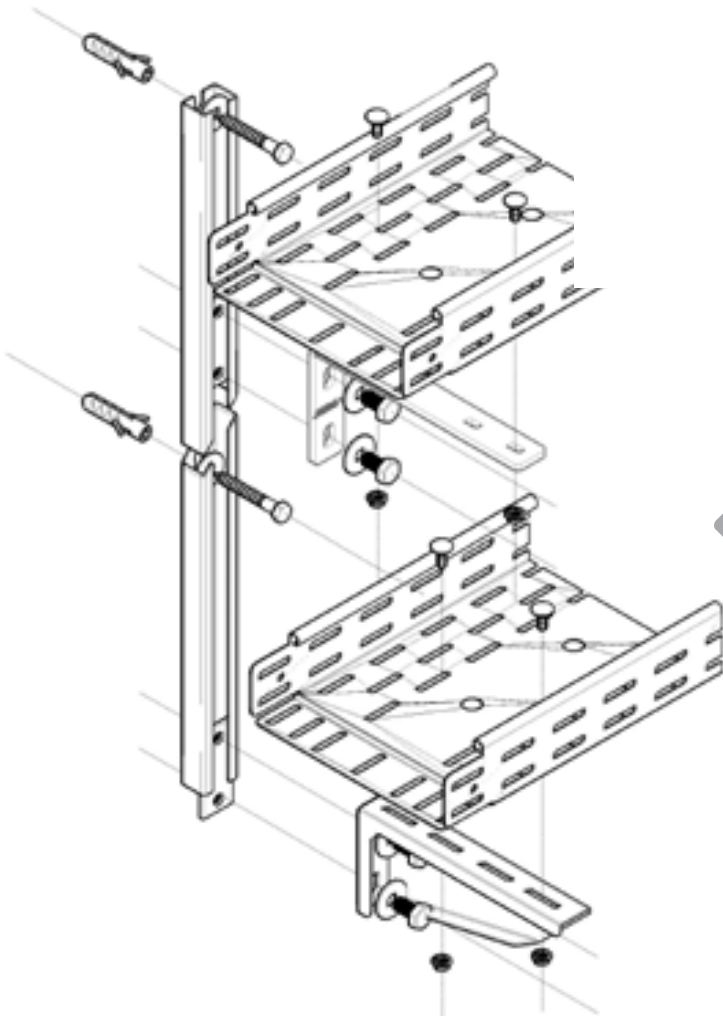
**FIGURE 6:**  
 Example of the installation of the cable  
 tray with the curved SNL wall bracket



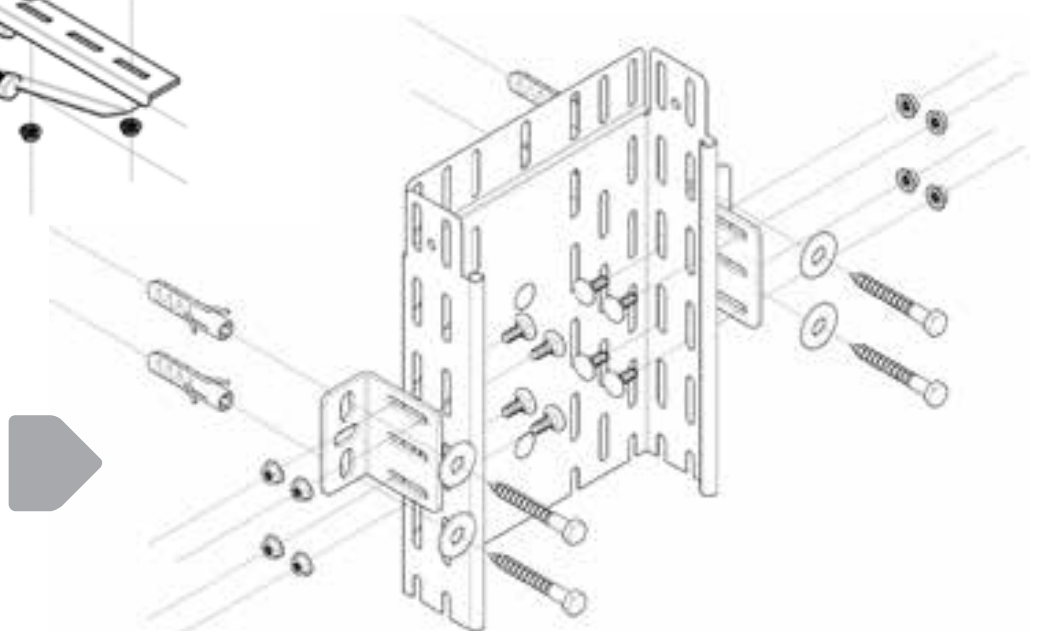
**FIGURE 7:**  
*Example of the installation of the cable tray onto the wall of the building with the NKP-SNL/OMEGA bracket*

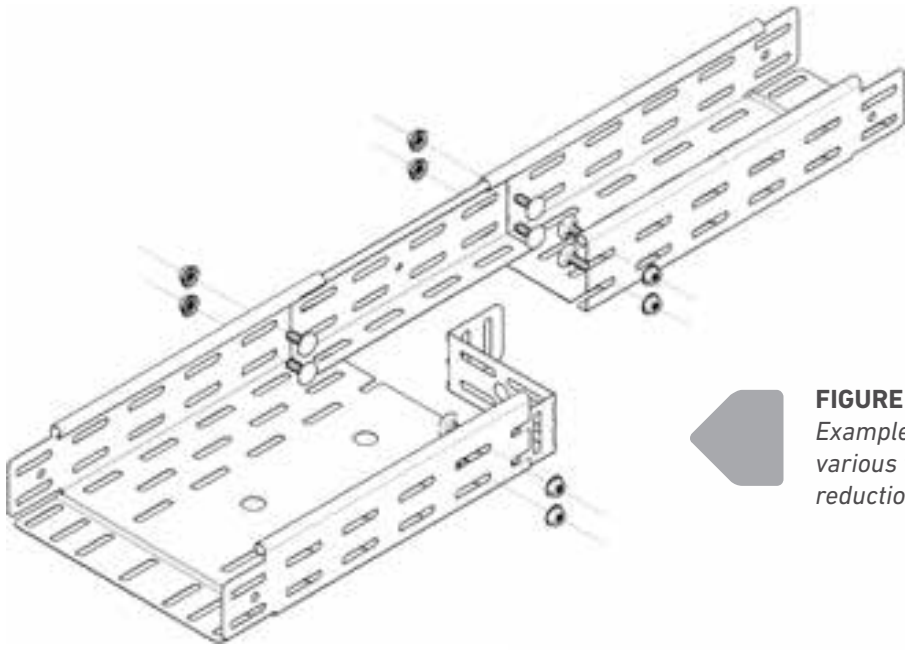


**FIGURE 8:**  
*Example of the installation of the cable tray to the wall of the building with the NKP-UL load-bearing profile*



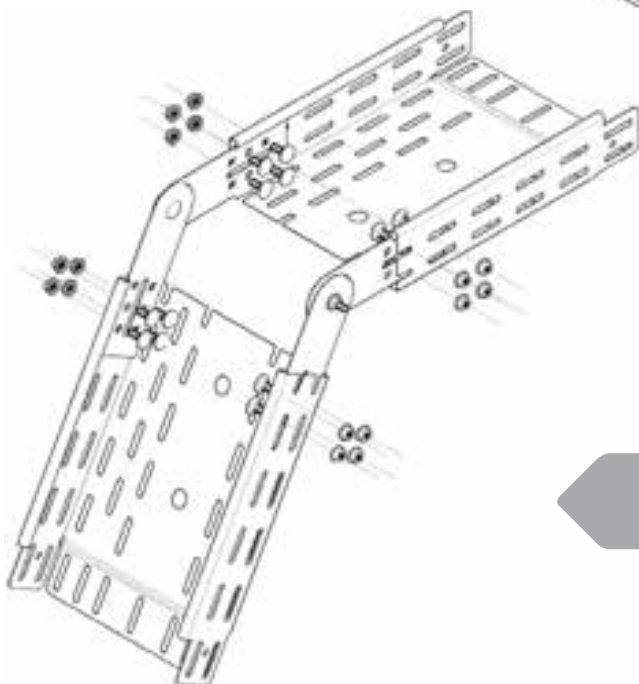
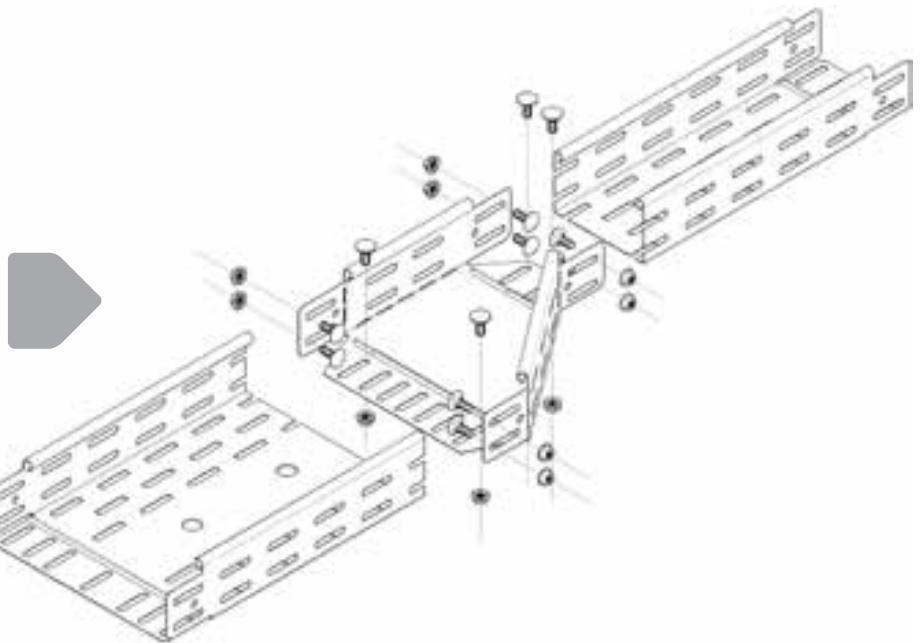
**FIGURE 9:**  
*Example of the installation of the cable tray to the wall of the building with the NKP-NK corner bracket*



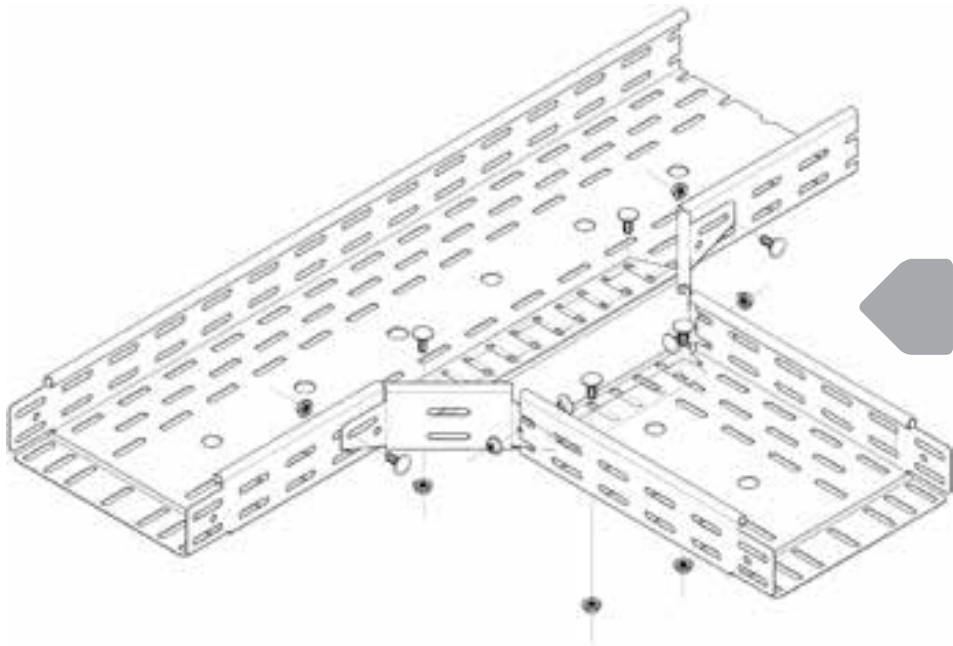
**FIGURE 10:**

*Example of the transition between the shelves of various widths with the help of the PKP-ZRE "Z" reduction element*

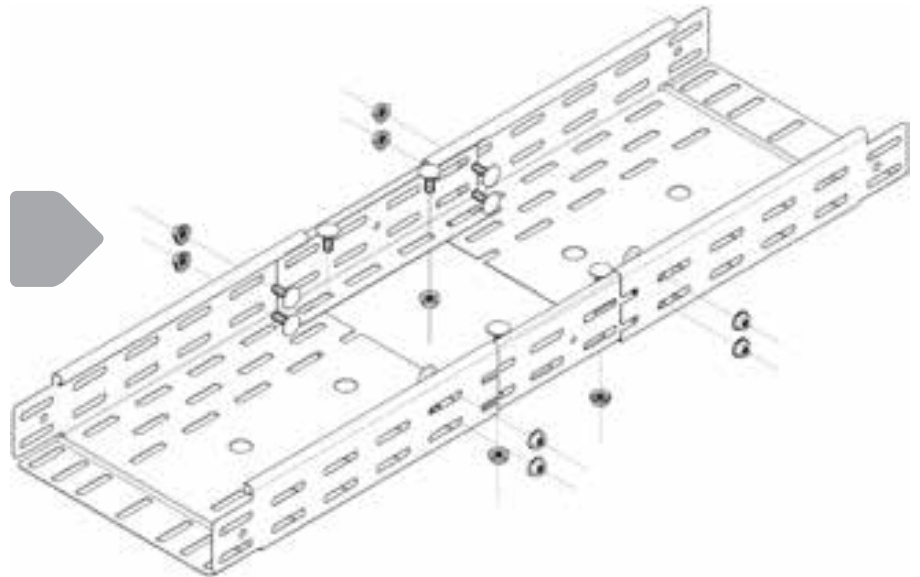
**FIGURE 11:**  
*Example of the transition between the shelves of various widths with the help of the PKP-REL or PKP-RED right or left reduction element*

**FIGURE 12:**

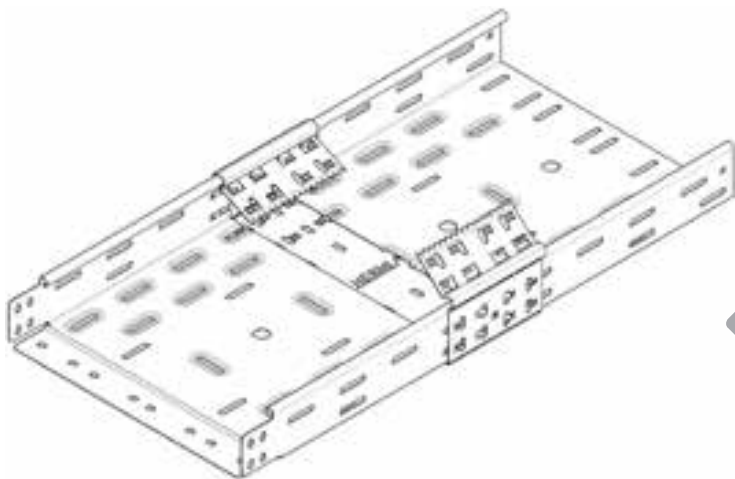
*Example of the transition with the PKP-GS flexible coupling element*



**FIGURE 13:**  
*Example of the transition with  
the PKP-OE add-on tee*



**FIGURE 14:**  
*Example of the connection of cable trays  
with the PKP-FS connecting element*



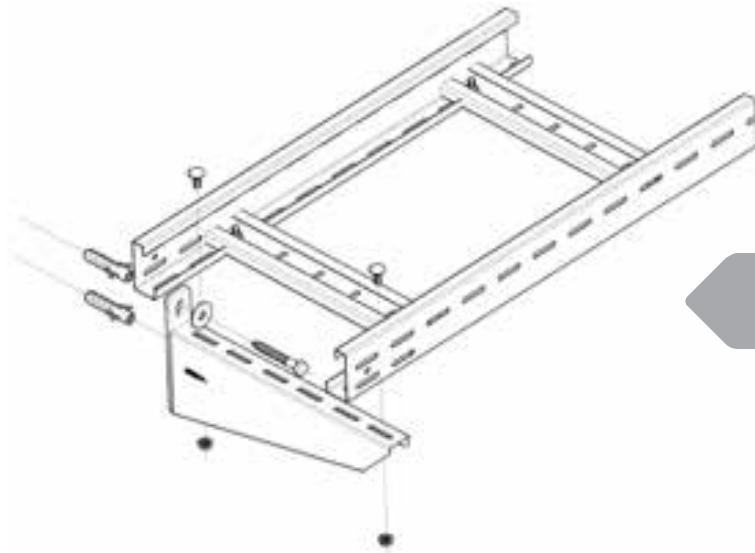
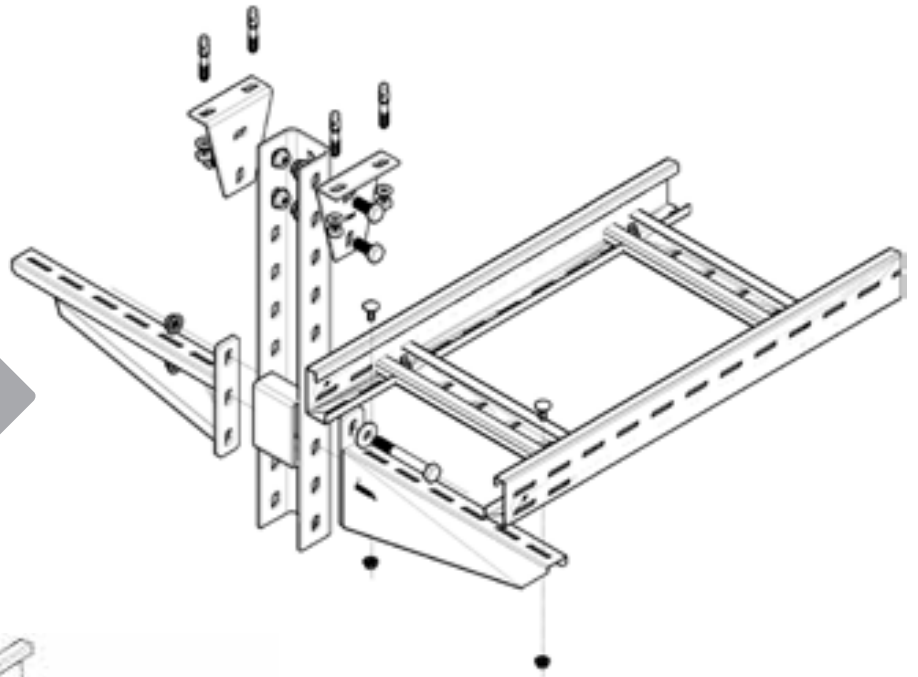
**FIGURE 15:**  
*Example of the connection of cable trays with  
the PKP-FJ FAST JOINT connecting element*



## INSTALLATION OF CABLE LADDERS

**FIGURE 16:**

Example of the installation of the cable ladder to the ceiling with the help of the NKP-SNU + NKP-SNP ceiling bracket

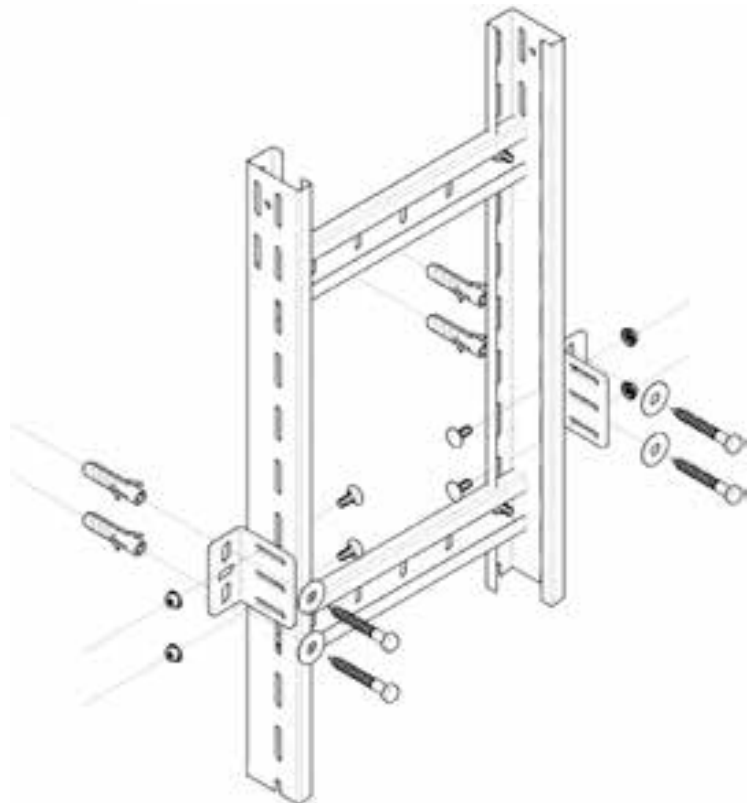


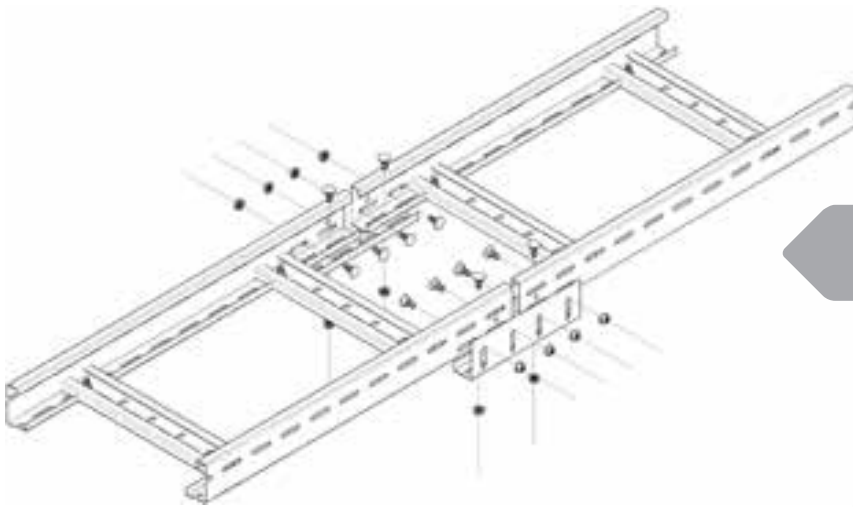
**FIGURE 17:**

Example of the installation of the cable ladder with the help of the NKP-SNT wall bracket

**FIGURE 18:**

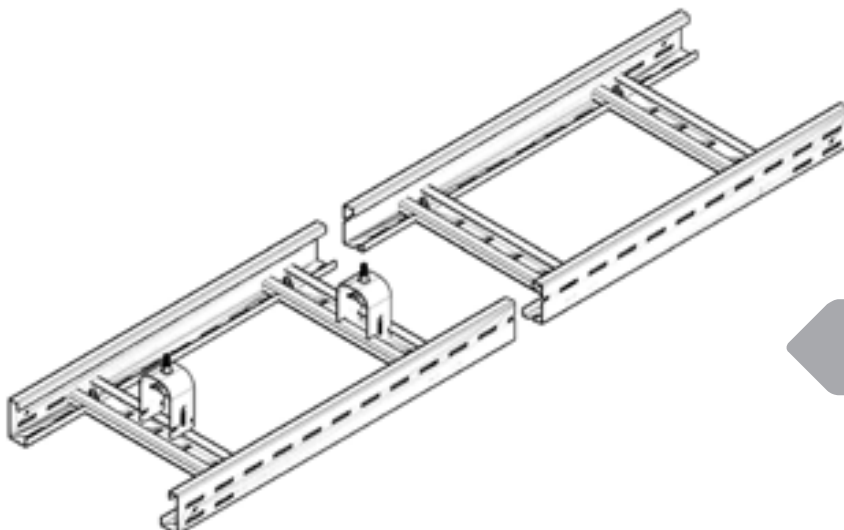
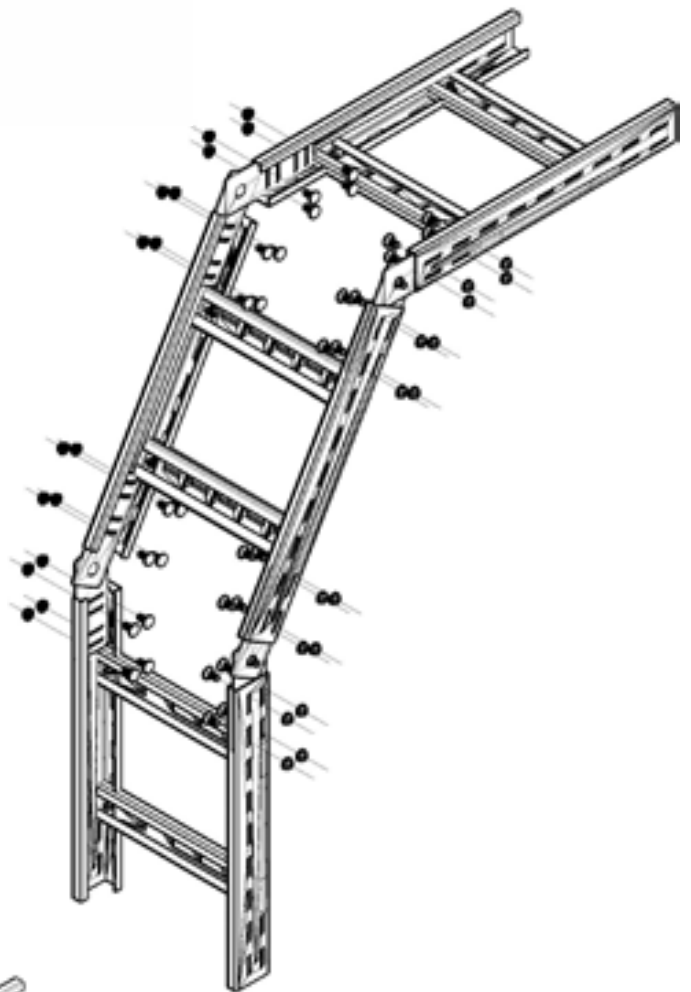
Example of the installation of the cable ladder to the wall of the building with the help of the NKP-NK corner bracket





**FIGURE 19:**  
*Creation of the connection of two cable ladders with the PKL-FS connecting element*

**FIGURE 20:**  
*Creation of the mobile transition of the PKL-ZNK cable ladder*



**FIGURE 21:**  
*Attachment of the cable onto the cable ladder with the PKL-KOB attachment element*





# CABLE TRAYS AND CABLE LADDERS

**KP Cable trays 16**

**KPA Aluminium  
cable trays 84**

**KPM Mesh cable trays 86**

**KL Cable ladders 96**

**KLA Aluminium  
cable ladders 128**

**KL HD Cable  
ladders "heavy duty" 132**

**NKP Brackets for cable  
trays and ladders 138**

**PPKP Mounting  
accessories for cable  
trays and ladders 168**

**E90 Fire resistant cable  
trays and ladders 176**

**Technical data 196**



HERMI

# KP

## CABLE TRAYS

Cable trays are intended for the construction of cable paths in surface cable laying.

# Cable trays KP 30

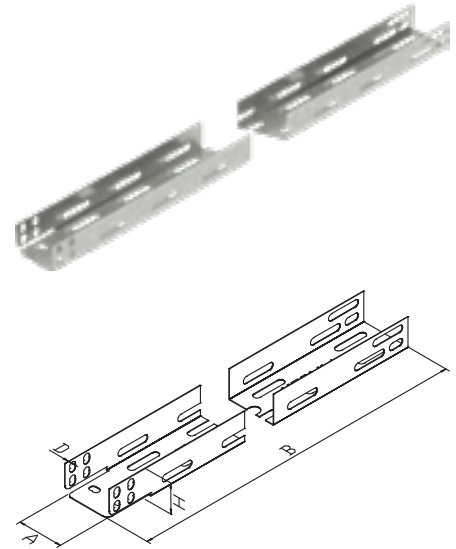
## KP 30/- Cable trays L= 2000 - 3000 mm; H= 30 mm; Class: N

Cable trays of **30 mm** in height and 50 mm in width, made of galvanised sheet metal or stainless steel, optionally powder painted in the desired colour. The length of an individual cable tray is **2,0 m** or **3,0 m**. Cable trays are mounted to the wall or ceiling with the appropriate **NKP** brackets. Joining cable trays together without additional fixing elements is carried out with **PPKP M6x12** (4x-8x) connection bolts and **PPKP M6** (4x-8x) flange nuts.

ITEM	MATERIAL	H (mm)	A (mm)	B (mm)	D (mm)	KG/PC.	PACKAGE	PROD. CODE
KP 30/50	■ FeZn	30	50	2000	0,6	0,92	10	<b>88700107</b>
KP 30/50	■ Rf	30	50	2000	0,6	0,92	10	<b>88700207</b>
KP 30/50	■ FeZn-H	30	50	2000	0,8	1,38	10	<b>88700607</b>
KP 30/50	■ Rf*H4	30	50	2000	0,6	0,92	10	<b>88700407*</b>
KP 30/50	■ FeZn-PVC	30	50	2000	0,6	1,38	10	<b>88700307*</b>

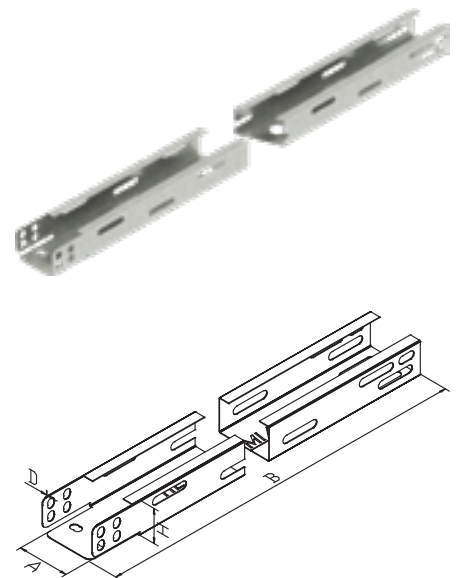
ITEM	MATERIAL	H (mm)	A (mm)	B (mm)	D (mm)	KG/PC.	PACKAGE	PROD. CODE
KP 30/50	■ FeZn	30	50	3000	0,6	1,38	10	<b>88700110</b>



## KP 30/C- Cable trays L= 2000 mm; H= 30 mm; Class: N

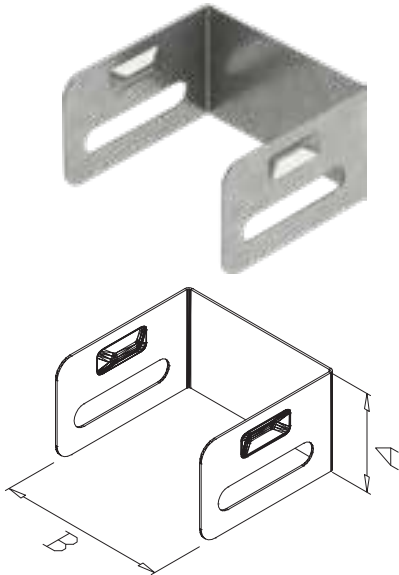
Cable trays with an edge of **30 mm** in height and 50 mm in width, made of galvanised sheet metal or stainless steel, optionally powder painted in the desired colour. The length of an individual cable tray is **2,0 m**. Other lengths upon request. Cable trays are mounted to the wall or ceiling with the appropriate **NKP** brackets. Joining cable trays together without additional fixing elements is carried out with **PPKP M6x12** (4x-8x) connection bolts and **PPKP M6** (4x-8x) flange nuts. Mounting with the **NKP-VN2M8 50** hanging bracket and the M8 threaded rod is most suitable. Appropriate for lightweight loads, e.g. for marking parking spaces in parking garages.

ITEM	MATERIAL	H (mm)	A (mm)	B (mm)	D (mm)	KG/PC.	PACKAGE	PROD. CODE
KP 30/50	■ FeZn	30	50	2000	0,6	1,30	10	<b>88725011</b>



\* upon request

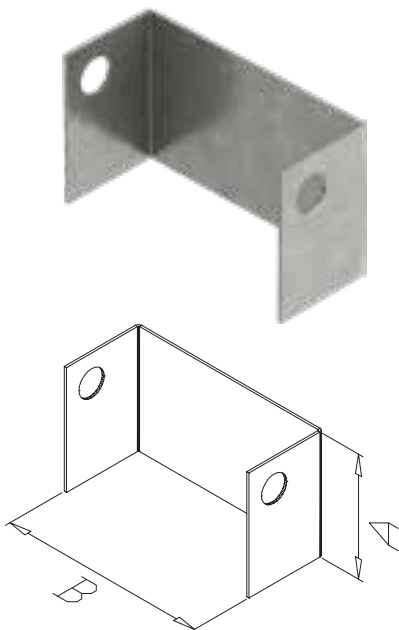
## >> Cable trays KP 30



### KP-PB 30/50 Flank cable tray cover; Class: N

The flank cable tray cover is designed to protect cables in the cable tray against dirt and external influences. The cable tray cover is attached to the cable tray with the click system.

ITEM	MATERIAL	A (mm)	B (mm)	D (mm)	PACKAGE	PROD. CODE
KP-PB 30/50	■ FeZn	30	50	0,60	100	<b>88700182</b>



### KP-PB 30/50 U Flank cable tray cover; Class: N

The flank cable tray cover is designed to protect cables in the cable tray against dirt and external influences. The cable tray cover is attached to the cable tray with the click system.

ITEM	MATERIAL	A (mm)	B (mm)	D (mm)	PACKAGE	PROD. CODE
KP-PB 30/50 U	■ FeZn	30	50	0,6	2	<b>88700184</b>

# Cable trays KP 40

## KP 40/- Cable trays; L= 2000 mm; H= 40 mm; Class: N

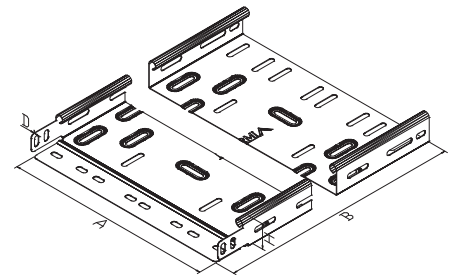
Cable trays of **40 mm** in height and of various widths, made of galvanised sheet metal or stainless steel, optionally powder painted in the desired colour. The length of an individual cable tray is **2,0 m**. Cable trays are mounted to the wall or ceiling with the appropriate **NKP** brackets. Joining cable trays together without additional fixing elements is carried out with **PPKP M6x12** (4x-8x) connection bolts and **PPKP M6** (4x-8x) flange nuts.

ITEM	MATERIAL	H (mm)	A (mm)	B (mm)	D (mm)	KG/PC.	PACKAGE	PROD. CODE
KP 40/50	■ FeZn	40	50	2000	0,6	1,30	10	<b>88720020</b>
KP 40/100	■ FeZn	40	100	2000	0,6	1,80	6	<b>88720021</b>
KP 40/200	■ FeZn	40	200	2000	0,6	2,80	4	<b>88720022</b>
KP 40/300	■ FeZn	40	300	2000	0,8	4,80	4	<b>88720023</b>
KP 40/400	■ FeZn	40	400	2000	0,8	5,90	2	<b>88720024</b>
KP 40/500	■ FeZn	40	500	2000	0,8	7,10	2	<b>88720025</b>
KP 40/600	■ FeZn	40	600	2000	0,8	8,50	2	<b>88720026</b>

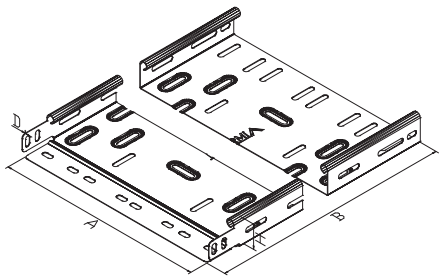
ITEM	MATERIAL	H (mm)	A (mm)	B (mm)	D (mm)	KG/PC.	PACKAGE	PROD. CODE
KP 40/50	■ Rf	40	50	2000	0,6	1,30	10	<b>88722020</b>
KP 40/100	■ Rf	40	100	2000	0,6	1,80	6	<b>88722021</b>
KP 40/200	■ Rf	40	200	2000	0,6	2,80	4	<b>88722022</b>
KP 40/300	■ Rf	40	300	2000	0,8	4,80	4	<b>88722023</b>
KP 40/400	■ Rf	40	400	2000	0,8	5,90	2	<b>88722024</b>
KP 40/500	■ Rf	40	500	2000	0,8	7,10	2	<b>88722025</b>
KP 40/600	■ Rf	40	600	2000	0,8	8,50	2	<b>88722026</b>

ITEM	MATERIAL	H (mm)	A (mm)	B (mm)	D (mm)	KG/PC.	PACKAGE	PROD. CODE
KP 40/50	■ FeZn-H	40	50	2000	0,8	1,65	10	<b>88726020</b>
KP 40/100	■ FeZn-H	40	100	2000	0,8	2,60	6	<b>88726021</b>
KP 40/200	■ FeZn-H	40	200	2000	0,8	3,80	4	<b>88726022</b>
KP 40/300	■ FeZn-H	40	300	2000	0,8	5,80	4	<b>88726023</b>
KP 40/400	■ FeZn-H	40	400	2000	0,8	6,40	2	<b>88726024</b>
KP 40/500	■ FeZn-H	40	500	2000	0,8	8,00	2	<b>88726025</b>
KP 40/600	■ FeZn-H	40	600	2000	0,8	10,00	2	<b>88726026</b>

ITEM	MATERIAL	H (mm)	A (mm)	B (mm)	D (mm)	KG/PC.	PACKAGE	PROD. CODE
KP 40/50	■ Rf*H4	40	50	2000	0,6	1,30	10	<b>88724020</b>
KP 40/100	■ Rf*H4	40	100	2000	0,6	1,80	6	<b>88724021</b>
KP 40/200	■ Rf*H4	40	200	2000	0,6	2,80	4	<b>88724022</b>
KP 40/300	■ Rf*H4	40	300	2000	0,8	4,80	4	<b>88724023</b>
KP 40/400	■ Rf*H4	40	400	2000	0,8	5,90	2	<b>88724024</b>
KP 40/500	■ Rf*H4	40	500	2000	0,8	7,10	2	<b>88724025</b>
KP 40/600	■ Rf*H4	40	600	2000	0,8	8,50	2	<b>88724026</b>



## >> Cable trays KP 40



### KP 40/- Cable trays; L= 3000 mm; H= 40 mm; Class: N

Cable trays of **40 mm** in height and of various widths, made of galvanised sheet metal or stainless steel, optionally powder painted in the desired colour. The length of an individual cable tray is **3,0 m**. Cable trays are mounted to the wall or ceiling with the appropriate NKP brackets. Joining cable trays together without additional fixing elements is carried out with **PPKP M6x12** (4x-8x) connection bolts and **PPKP M6** (4x-8x) flange nuts.

ITEM	MATERIAL	H (mm)	A (mm)	B (mm)	D (mm)	KG/PC.	PACKAGE	PROD. CODE
KP 40/50	■ FeZn	40	50	3000	0,6	2,00	6	<b>88726010</b>
KP 40/100	■ FeZn	40	100	3000	0,6	2,70	4	<b>88720031</b>
KP 40/200	■ FeZn	40	200	3000	0,6	4,20	4	<b>88720032</b>
KP 40/300	■ FeZn	40	300	3000	0,8	7,20	4	<b>88720033</b>
KP 40/400	■ FeZn	40	400	3000	0,8	8,90	2	<b>88720034</b>
KP 40/500	■ FeZn	40	500	3000	0,8	10,70	2	<b>88720035</b>
KP 40/600	■ FeZn	40	600	3000	0,8	12,80	2	<b>88720036</b>

ITEM	MATERIAL	H (mm)	A (mm)	B (mm)	D (mm)	KG/PC.	PACKAGE	PROD. CODE
KP 40/50	■ Rf	40	50	3000	0,6	2,00	6	<b>88722030</b>
KP 40/100	■ Rf	40	100	3000	0,6	2,70	4	<b>88722031</b>
KP 40/200	■ Rf	40	200	3000	0,6	4,20	4	<b>88722032</b>
KP 40/300	■ Rf	40	300	3000	0,8	7,20	4	<b>88722033</b>
KP 40/400	■ Rf	40	400	3000	0,8	8,90	2	<b>88722034</b>
KP 40/500	■ Rf	40	500	3000	0,8	10,70	2	<b>88722035</b>
KP 40/600	■ Rf	40	600	3000	0,8	12,80	2	<b>88722036</b>

ITEM	MATERIAL	H (mm)	A (mm)	B (mm)	D (mm)	KG/PC.	PACKAGE	PROD. CODE
KP 40/50	■ FeZn-H	40	50	3000	0,8	2,50	6	<b>88726030</b>
KP 40/100	■ FeZn-H	40	100	3000	0,8	3,90	4	<b>88726031</b>
KP 40/200	■ FeZn-H	40	200	3000	0,8	5,70	4	<b>88726032</b>
KP 40/300	■ FeZn-H	40	300	3000	0,8	8,70	4	<b>88726033</b>
KP 40/400	■ FeZn-H	40	400	3000	0,8	9,60	2	<b>88726034</b>
KP 40/500	■ FeZn-H	40	500	3000	0,8	11,50	2	<b>88726035</b>
KP 40/600	■ FeZn-H	40	600	3000	0,8	13,40	2	<b>88726036</b>

# Cable trays KP 60

## KP 60/- Cable trays; L = 2000 mm; H = 60 mm; Class: N

Cable trays of **60 mm** in height and of various widths, made of galvanised sheet metal or stainless steel, optionally powder painted in the desired colour. The length of an individual cable tray is **2,0 m**. Cable trays are mounted to the wall or ceiling with the appropriate **NKP** brackets. Joining cable trays together without additional fixing elements is carried out with **PPKP M6x12** (4x-8x) connection bolts and **PPKP M6** (4x-8x) flange nuts.

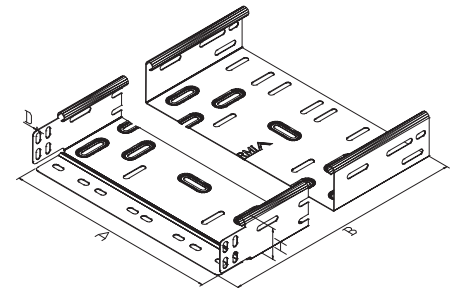
ITEM	MATERIAL	H (mm)	A (mm)	B (mm)	D (mm)	KG/PC.	PACKAGE	PROD. CODE
KP 60/50	■ FeZn	60	50	2000	0,6	1,60	10	<b>88700100</b>
KP 60/100	■ FeZn	60	100	2000	0,6	2,10	6	<b>88700101</b>
KP 60/150	■ FeZn	60	150	2000	0,6	2,50	4	<b>88700518</b>
KP 60/200	■ FeZn	60	200	2000	0,6	3,10	4	<b>88700102</b>
KP 60/300	■ FeZn	60	300	2000	0,8	5,20	4	<b>88700103</b>
KP 60/400	■ FeZn	60	400	2000	0,8	6,30	2	<b>88700104</b>
KP 60/500	■ FeZn	60	500	2000	0,8	7,50	2	<b>88700105</b>
KP 60/600	■ FeZn	60	600	2000	0,8	8,90	2	<b>88700108</b>

ITEM	MATERIAL	H (mm)	A (mm)	B (mm)	D (mm)	KG/PC.	PACKAGE	PROD. CODE
KP 60/50	■ Rf	60	50	2000	0,6	1,60	10	<b>88700200</b>
KP 60/100	■ Rf	60	100	2000	0,6	2,10	6	<b>88700201</b>
KP 60/150	■ Rf	60	150	2000	0,6	2,50	4	<b>88700212</b>
KP 60/200	■ Rf	60	200	2000	0,6	3,10	4	<b>88700202</b>
KP 60/300	■ Rf	60	300	2000	0,8	5,20	4	<b>88700203</b>
KP 60/400	■ Rf	60	400	2000	0,8	6,30	2	<b>88700204</b>
KP 60/500	■ Rf	60	500	2000	0,8	7,50	2	<b>88700205</b>
KP 60/600	■ Rf	60	600	2000	0,8	8,90	2	<b>88700211</b>

ITEM	MATERIAL	H (mm)	A (mm)	B (mm)	D (mm)	KG/PC.	PACKAGE	PROD. CODE
KP 60/50	■ FeZn-H	60	50	2000	0,8	2,30	10	<b>88700600</b>
KP 60/100	■ FeZn-H	60	100	2000	0,8	3,10	6	<b>88700601</b>
KP 60/150	■ FeZn-H	60	150	2000	0,8	3,80	4	<b>88700612</b>
KP 60/200	■ FeZn-H	60	200	2000	0,8	4,50	4	<b>88700602</b>
KP 60/300	■ FeZn-H	60	300	2000	1,0	7,20	4	<b>88700603</b>
KP 60/400	■ FeZn-H	60	400	2000	0,8	7,10	2	<b>88700604</b>
KP 60/500	■ FeZn-H	60	500	2000	0,8	9,00	2	<b>88700605</b>
KP 60/600	■ FeZn-H	60	600	2000	0,8	11,00	2	<b>88700606</b>

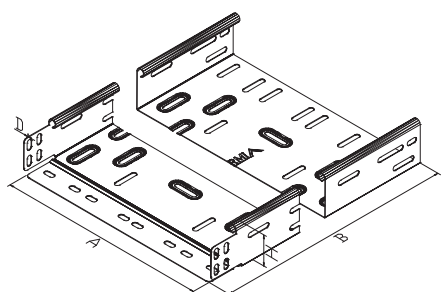
ITEM	MATERIAL	H (mm)	A (mm)	B (mm)	D (mm)	KG/PC.	PACKAGE	PROD. CODE
KP 60/50	■ Rf*H4	60	50	2000	0,6	1,60	10	<b>88700400*</b>
KP 60/100	■ Rf*H4	60	100	2000	0,6	2,10	6	<b>88700401*</b>
KP 60/200	■ Rf*H4	60	200	2000	0,6	3,10	4	<b>88700402*</b>
KP 60/300	■ Rf*H4	60	300	2000	0,8	5,20	4	<b>88700403*</b>
KP 60/400	■ Rf*H4	60	400	2000	0,8	6,30	2	<b>88700404*</b>
KP 60/500	■ Rf*H4	60	500	2000	0,8	7,50	2	<b>88700405*</b>
KP 60/600	■ Rf*H4	60	600	2000	0,8	8,90	2	<b>88700406*</b>

ITEM	MATERIAL	H (mm)	A (mm)	B (mm)	D (mm)	KG/PC.	PACKAGE	PROD. CODE
KP 60/50	■ FeZn - PVC	60	50	2000	0,6	1,80	10	<b>88700300*</b>
KP 60/100	■ FeZn - PVC	60	100	2000	0,6	2,50	6	<b>88700301*</b>
KP 60/200	■ FeZn - PVC	60	200	2000	0,6	3,40	4	<b>88700302*</b>
KP 60/300	■ FeZn - PVC	60	300	2000	0,8	5,70	4	<b>88700303*</b>
KP 60/400	■ FeZn - PVC	60	400	2000	0,8	6,90	2	<b>88700304*</b>
KP 60/500	■ FeZn - PVC	60	500	2000	0,8	8,30	2	<b>88700305*</b>
KP 60/600	■ FeZn - PVC	60	600	2000	0,8	9,80	2	<b>88700308*</b>



\* upon request

## >> Cable trays KP 60

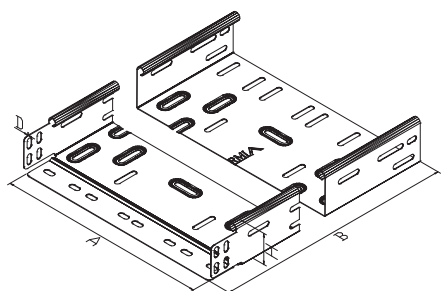


### KP 60/- Cable trays; L= 2000 mm; H= 60 mm; Class: M

Cable trays of **60 mm** in height and of various widths, made of galvanised sheet metal or stainless steel, optionally powder painted in the desired colour. The length of an individual cable tray is **2,0 m**. Cable trays are mounted to the wall or ceiling with the appropriate **NKP** brackets. Joining cable trays together without additional fixing elements is carried out with **PPKP M6x12 (4x-8x)** connection bolts and **PPKP M6 (4x-8x)** flange nuts.

ITEM	MATERIAL	H (mm)	A (mm)	B (mm)	D (mm)	KG/PC.	PACKAGE	PROD. CODE
KP 60/50	■ FeZn	60	50	2000	0,8	2,10	10	<b>99700100</b>
KP 60/100	■ FeZn	60	100	2000	0,8	2,60	6	<b>99700101</b>
KP 60/200	■ FeZn	60	200	2000	0,8	3,70	4	<b>99700102</b>
KP 60/300	■ FeZn	60	300	2000	0,8	5,20	4	<b>88700103</b>
KP 60/400	■ FeZn	60	400	2000	1,0	7,60	2	<b>99700104</b>
KP 60/500	■ FeZn	60	500	2000	1,0	9,00	2	<b>99700105</b>
KP 60/600	■ FeZn	60	600	2000	1,0	10,70	2	<b>99700106</b>

ITEM	MATERIAL	H (mm)	A (mm)	B (mm)	D (mm)	KG/PC.	PACKAGE	PROD. CODE
KP 60/50	■ FeZn-H	60	50	2000	0,8	2,30	10	<b>88700600</b>
KP 60/100	■ FeZn-H	60	100	2000	0,8	3,20	6	<b>88700601</b>
KP 60/200	■ FeZn-H	60	200	2000	0,8	4,50	4	<b>88700602</b>
KP 60/300	■ FeZn-H	60	300	2000	0,8	6,50	4	<b>88700603</b>
KP 60/400	■ FeZn-H	60	400	2000	1,0	8,50	2	<b>99700604</b>
KP 60/500	■ FeZn-H	60	500	2000	1,0	10,80	2	<b>99700605</b>
KP 60/600	■ FeZn-H	60	600	2000	1,0	12,10	2	<b>99700606</b>



### KP 60/- Cable trays; L= 2500 mm; H= 60 mm; Class: N

Cable trays of **60 mm** in height and of various widths, made of galvanised sheet metal or stainless steel, optionally powder painted in the desired colour. The length of an individual cable tray is **2,5 m**. Cable trays are mounted to the wall or ceiling with the appropriate **NKP** brackets. Joining cable trays together without additional fixing elements is carried out with **PPKP M6x12 (4x-8x)** connection bolts and **PPKP M6 (4x-8x)** flange nuts.

ITEM	MATERIAL	H (mm)	A (mm)	B (mm)	D (mm)	KG/PC.	PACKAGE	PROD. CODE
KP 60/50	■ FeZn	60	50	2500	0,6	2,00	6	<b>88700140</b>
KP 60/100	■ FeZn	60	100	2500	0,6	2,60	6	<b>88700141</b>
KP 60/200	■ FeZn	60	200	2500	0,6	3,80	4	<b>88700142</b>
KP 60/300	■ FeZn	60	300	2500	0,8	6,50	4	<b>88700143</b>
KP 60/400	■ FeZn	60	400	2500	0,8	7,90	2	<b>88700144</b>
KP 60/500	■ FeZn	60	500	2500	0,8	9,40	2	<b>88700145</b>
KP 60/600	■ FeZn	60	600	2500	0,8	11,10	2	<b>88700146</b>



## >> Cable trays KP 60

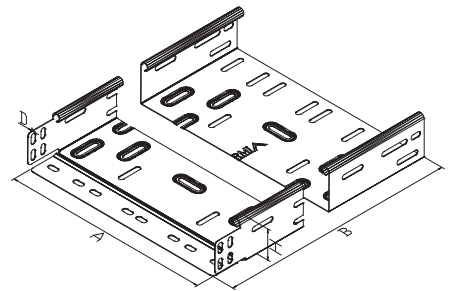
### KP 60/- Cable trays; L= 3000 mm; H= 60 mm; Class: N

Cable trays of **60 mm** in height and of various widths, made of galvanised sheet metal or stainless steel, optionally powder painted in the desired colour. The length of an individual cable tray is **3,0 m**. Cable trays are mounted to the wall or ceiling with the appropriate **NKP** brackets. Joining cable trays together without additional fixing elements is carried out with **PPKP M6x12** (4x-8x) connection bolts and **PPKP M6** (4x-8x) flange nuts.

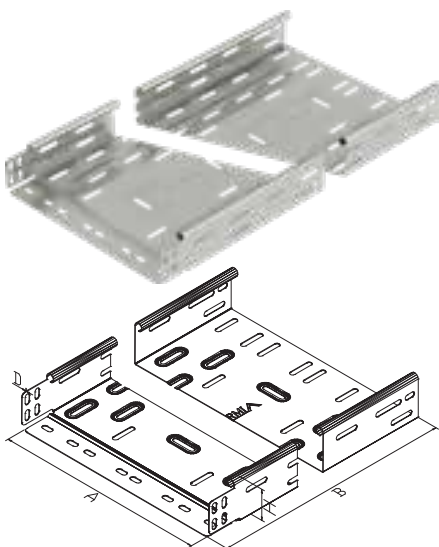
ITEM	MATERIAL	H (mm)	A (mm)	B (mm)	D (mm)	KG/PC.	PACKAGE	PROD. CODE
KP 60/50	■ FeZn	60	50	3000	0,6	2,40	6	<b>88700130</b>
KP 60/100	■ FeZn	60	100	3000	0,6	3,10	6	<b>88700131</b>
KP 60/150	■ FeZn	60	150	3000	0,6	3,70	4	<b>88700139</b>
KP 60/200	■ FeZn	60	200	3000	0,6	4,60	4	<b>88700132</b>
KP 60/300	■ FeZn	60	300	3000	0,8	7,70	4	<b>88700133</b>
KP 60/400	■ FeZn	60	400	3000	0,8	9,50	2	<b>88700134</b>
KP 60/500	■ FeZn	60	500	3000	0,8	11,30	2	<b>88700135</b>
KP 60/600	■ FeZn	60	600	3000	0,8	13,40	2	<b>88700136</b>

ITEM	MATERIAL	H (mm)	A (mm)	B (mm)	D (mm)	KG/PC.	PACKAGE	PROD. CODE
KP 60/50	■ Rf	60	50	3000	0,6	2,40	6	<b>88722090</b>
KP 60/100	■ Rf	60	100	3000	0,6	3,20	6	<b>88722091</b>
KP 60/150	■ Rf	60	150	3000	0,6	3,70	4	<b>88722099</b>
KP 60/200	■ Rf	60	200	3000	0,6	4,60	4	<b>88722092</b>
KP 60/300	■ Rf	60	300	3000	0,8	7,70	4	<b>88722093</b>
KP 60/400	■ Rf	60	400	3000	0,8	9,50	2	<b>88722094</b>
KP 60/500	■ Rf	60	500	3000	0,8	11,30	2	<b>88722095</b>
KP 60/600	■ Rf	60	600	3000	0,8	13,40	2	<b>88722096</b>

ITEM	MATERIAL	H (mm)	A (mm)	B (mm)	D (mm)	KG/PC.	PACKAGE	PROD. CODE
KP 60/50	■ FeZn-H	60	50	3000	0,8	3,10	6	<b>88700630</b>
KP 60/100	■ FeZn-H	60	100	3000	0,8	4,60	6	<b>88700631</b>
KP 60/150	■ FeZn-H	60	150	3000	0,8	5,70	4	<b>88700639</b>
KP 60/200	■ FeZn-H	60	200	3000	0,8	6,50	4	<b>88700632</b>
KP 60/300	■ FeZn-H	60	300	3000	0,8	9,20	4	<b>88700633</b>
KP 60/400	■ FeZn-H	60	400	3000	0,8	10,70	2	<b>88700634</b>
KP 60/500	■ FeZn-H	60	500	3000	0,8	12,30	2	<b>88700635</b>
KP 60/600	■ FeZn-H	60	600	3000	0,8	14,30	2	<b>88700636</b>



## >> Cable trays KP 60



### KP 60/- Cable trays; L= 3000 mm; H= 60 mm; Class: N

Cable trays of **60 mm** in height and of various widths, made of galvanised sheet metal or stainless steel, optionally powder painted in the desired colour. The length of an individual cable tray is **3,0 m**. Cable trays are mounted to the wall or ceiling with the appropriate **NKP** brackets. Joining cable trays together without additional fixing elements is carried out with **PPKP M6x12** (4x-8x) connection bolts and **PPKP M6** (4x-8x) flange nuts.

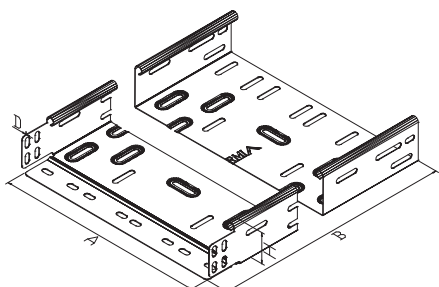
ITEM	MATERIAL	H (mm)	A (mm)	B (mm)	D (mm)	KG/PC.	PACKAGE	PROD. CODE
KP 60/100	■ FeZn	60	100	3000	0,75	3,60	6	<b>88700525</b>
KP 60/200	■ FeZn	60	200	3000	0,75	5,50	4	<b>88700526</b>
KP 60/300	■ FeZn	60	300	3000	0,75	7,50	4	<b>88700527</b>
KP 60/400	■ FeZn	60	400	3000	0,90	10,60	2	<b>88700528</b>
KP 60/500	■ FeZn	60	500	3000	0,90	12,00	2	<b>88700529</b>
KP 60/600	■ FeZn	60	600	3000	0,90	15,00	2	<b>88700530</b>

### KP 60/- Cable trays; L= 3000 mm; H= 60 mm; Class: M

Cable trays of **60 mm** in height and of various widths, made of galvanised sheet metal or stainless steel, optionally powder painted in the desired colour. The length of an individual cable tray is **3,0 m**. Cable trays are mounted to the wall or ceiling with the appropriate **NKP** brackets. Joining cable trays together without additional fixing elements is carried out with **PPKP M6x12** (4x-8x) connection bolts and **PPKP M6** (4x-8x) flange nuts.



ITEM	MATERIAL	H (mm)	A (mm)	B (mm)	D (mm)	KG/PC.	PACKAGE	PROD. CODE
KP 60/50	■ FeZn	60	50	3000	0,8	2,90	6	<b>88700520</b>
KP 60/100	■ FeZn	60	100	3000	0,8	3,70	6	<b>88700521</b>
KP 60/200	■ FeZn	60	200	3000	0,8	5,50	4	<b>88700522</b>
KP 60/300	■ FeZn	60	300	3000	1,0	9,20	4	<b>88700542</b>
KP 60/400	■ FeZn	60	400	3000	1,0	12,20	2	<b>88700531</b>
KP 60/500	■ FeZn	60	500	3000	1,0	13,80	2	<b>88700532</b>
KP 60/600	■ FeZn	60	600	3000	1,0	16,10	2	<b>88700533</b>



ITEM	MATERIAL	H (mm)	A (mm)	B (mm)	D (mm)	KG/PC.	PACKAGE	PROD. CODE
KP 60/50	■ Rf	60	50	3000	0,8	2,90	6	<b>88722110</b>
KP 60/100	■ Rf	60	100	3000	0,8	3,70	6	<b>88722111</b>
KP 60/200	■ Rf	60	200	3000	0,8	5,50	4	<b>88722112</b>
KP 60/300	■ Rf	60	300	3000	1,0	9,20	4	<b>88722073</b>
KP 60/400	■ Rf	60	400	3000	1,0	12,20	2	<b>88722074</b>
KP 60/500	■ Rf	60	500	3000	1,0	13,80	2	<b>88722075</b>
KP 60/600	■ Rf	60	600	3000	1,0	16,10	2	<b>88722076</b>

ITEM	MATERIAL	H (mm)	A (mm)	B (mm)	D (mm)	KG/PC.	PACKAGE	PROD. CODE
KP 60/50	■ FeZn-H	60	50	3000	0,8	3,10	6	<b>88700630</b>
KP 60/100	■ FeZn-H	60	100	3000	0,8	4,60	6	<b>88700631</b>
KP 60/200	■ FeZn-H	60	200	3000	0,8	6,50	4	<b>88700632</b>
KP 60/300	■ FeZn-H	60	300	3000	1,0	10,20	4	<b>88726073</b>
KP 60/400	■ FeZn-H	60	400	3000	1,0	13,40	2	<b>88726074</b>
KP 60/500	■ FeZn-H	60	500	3000	1,0	15,10	2	<b>88726075</b>
KP 60/600	■ FeZn-H	60	600	3000	1,0	17,70	2	<b>88726076</b>

\* upon request

## >> Cable trays KP 60

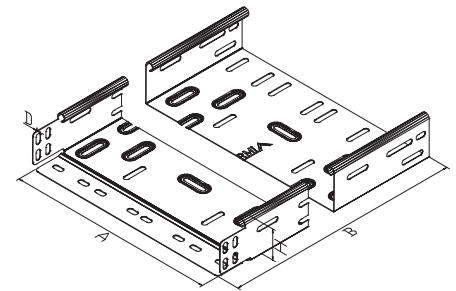
### KP 60/- Cable trays; L= 3000 mm; H= 60 mm; Class: H

Cable trays of **60 mm** in height and of various widths, made of galvanised sheet metal or stainless steel, optionally powder painted in the desired colour. The length of an individual cable tray is **3,0 m**. Cable trays are mounted to the wall or ceiling with the appropriate **NKP** brackets.

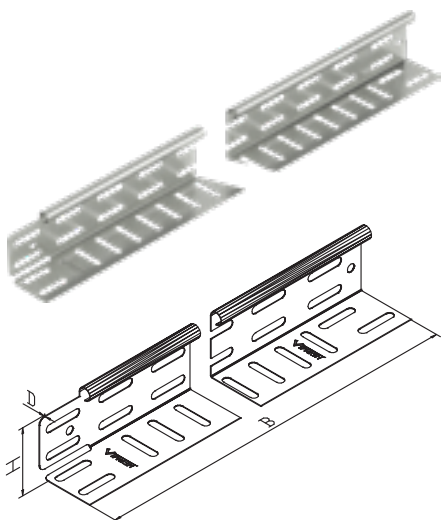
ITEM	MATERIAL	H (mm)	A (mm)	B (mm)	D (mm)	KG/PC.	PACKAGE	PROD. CODE
KP 60/100	■ FeZn	60	100	3000	1,5	8,50	2	<b>88700534</b>
KP 60/200	■ FeZn	60	200	3000	1,5	12,00	2	<b>88700535</b>
KP 60/300	■ FeZn	60	300	3000	1,5	14,20	2	<b>88700536</b>
KP 60/400	■ FeZn	60	400	3000	1,5	17,00	2	<b>88700537</b>
KP 60/500	■ FeZn	60	500	3000	1,5	21,30	2	<b>88700538</b>
KP 60/600	■ FeZn	60	600	3000	1,5	26,00	2	<b>88700539</b>

ITEM	MATERIAL	H (mm)	A (mm)	B (mm)	D (mm)	KG/PC.	PACKAGE	PROD. CODE
KP 60/100	■ Rf	60	100	3000	1,5	8,50	2	<b>88722081</b>
KP 60/200	■ Rf	60	200	3000	1,5	12,00	2	<b>88722082</b>
KP 60/300	■ Rf	60	300	3000	1,5	14,20	2	<b>88722083</b>
KP 60/400	■ Rf	60	400	3000	1,5	17,00	2	<b>88722084</b>
KP 60/500	■ Rf	60	500	3000	1,5	21,30	2	<b>88722085</b>
KP 60/600	■ Rf	60	600	3000	1,5	26,00	2	<b>88722086</b>

ITEM	MATERIAL	H (mm)	A (mm)	B (mm)	D (mm)	KG/PC.	PACKAGE	PROD. CODE
KP 60/100	■ FeZn-H	60	100	3000	1,5	9,40	2	<b>88726081</b>
KP 60/200	■ FeZn-H	60	200	3000	1,5	13,20	2	<b>88726082</b>
KP 60/300	■ FeZn-H	60	300	3000	1,5	15,60	2	<b>88726083</b>
KP 60/400	■ FeZn-H	60	400	3000	1,5	18,70	2	<b>88726084</b>
KP 60/500	■ FeZn-H	60	500	3000	1,5	23,40	2	<b>88726085</b>
KP 60/600	■ FeZn-H	60	600	3000	1,5	28,60	2	<b>88726086</b>



## >> Cable trays KP 60



### KP-PR Cable tray barrier

Cable tray divider for the separation of leads placed in cable trays and the prevention of electromagnetic disturbance. The divider is placed onto the cable tray with **PPKP-M6x12** (3x) connection bolts and **PPKP-M6** (3x) flange nuts.

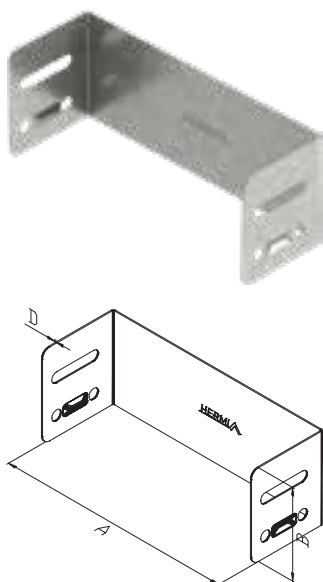
ITEM	MATERIAL	A (mm)	B (mm)	D (mm)	KG/PC.	PACKAGE	PROD. CODE
KP-PR 60	■ FeZn	60	2000	0,6	0,89	10	<b>88700106</b>
KP-PR 60	■ Rf	60	2000	0,6	1,30	10	<b>88700206</b>
KP-PR 60	■ FeZn-H	60	2000	0,8	1,40	10	<b>88700609</b>
KP-PR 60	■ Rf*H4	60	2000	0,6	1,30	10	<b>88700409*</b>
KP-PR 60	■ FeZn-PVC	60	2000	0,6	0,89	10	<b>88700306*</b>

ITEM	MATERIAL	A (mm)	B (mm)	D (mm)	KG/PC.	PACKAGE	PROD. CODE
KP-PR 60	■ FeZn	60	3000	0,6	1,54	10	<b>88700109</b>
KP-PR 60	■ Rf	60	3000	0,6	1,54	10	<b>88700299</b>
KP-PR 60	■ FeZn-H	60	3000	0,8	2,00	10	<b>88700699</b>

### KP-PB Flank cable tray cover; Class: N

The flank cable tray cover is designed to protect cables in the cable tray against dirt and external influences. The cable tray cover is attached to the cable tray with the click system.



ITEM	MATERIAL	A (mm)	B (mm)	D (mm)	KG/PC.	PACKAGE	PROD. CODE
KP-PB 60/50	■ FeZn	50	60	0,8	0,06	2	<b>88700174</b>
KP-PB 60/100	■ FeZn	100	60	0,8	0,07	2	<b>88700175</b>
KP-PB 60/150	■ FeZn	150	60	0,8	0,09	2	<b>88700176</b>
KP-PB 60/200	■ FeZn	200	60	0,8	0,11	2	<b>88700177</b>
KP-PB 60/300	■ FeZn	300	60	0,8	0,13	2	<b>88700178</b>
KP-PB 60/400	■ FeZn	400	60	0,8	0,15	2	<b>88700179</b>
KP-PB 60/500	■ FeZn	500	60	0,8	0,17	2	<b>88700180</b>
KP-PB 60/600	■ FeZn	600	60	0,8	0,19	2	<b>88700181</b>

ITEM	MATERIAL	A (mm)	B (mm)	D (mm)	KG/PC.	PACKAGE	PROD. CODE
KP-PB 60/50	■ Rf	50	60	0,8	0,06	2	<b>88700274</b>
KP-PB 60/100	■ Rf	100	60	0,8	0,07	2	<b>88700275</b>
KP-PB 60/150	■ Rf	150	60	0,8	0,09	2	<b>88700276</b>
KP-PB 60/200	■ Rf	200	60	0,8	0,11	2	<b>88700277</b>
KP-PB 60/300	■ Rf	300	60	0,8	0,13	2	<b>88700278</b>
KP-PB 60/400	■ Rf	400	60	0,8	0,15	2	<b>88700279</b>
KP-PB 60/500	■ Rf	500	60	0,8	0,17	2	<b>88700280</b>
KP-PB 60/600	■ Rf	600	60	0,8	0,19	2	<b>88700281</b>

ITEM	MATERIAL	A (mm)	B (mm)	D (mm)	KG/PC.	PACKAGE	PROD. CODE
KP-PB 60/50	■ FeZn-H	50	60	0,8	0,07	2	<b>88700700</b>
KP-PB 60/100	■ FeZn-H	100	60	0,8	0,08	2	<b>88700701</b>
KP-PB 60/150	■ FeZn-H	150	60	0,8	0,10	2	<b>88700709</b>
KP-PB 60/200	■ FeZn-H	200	60	0,8	0,12	2	<b>88700702</b>
KP-PB 60/300	■ FeZn-H	300	60	0,8	0,14	2	<b>88700703</b>
KP-PB 60/400	■ FeZn-H	400	60	0,8	0,17	2	<b>88700704</b>
KP-PB 60/500	■ FeZn-H	500	60	0,8	0,19	2	<b>88700705</b>
KP-PB 60/600	■ FeZn-H	600	60	0,8	0,21	2	<b>88700706</b>

\* upon request

## >> Cable trays KP 60

### PKP-ZK 60/- External elbow 90°

The mounting is carried out with **PPKP M6x12** (8x) connection bolts and **PPKP M6** (8x) flange nuts.

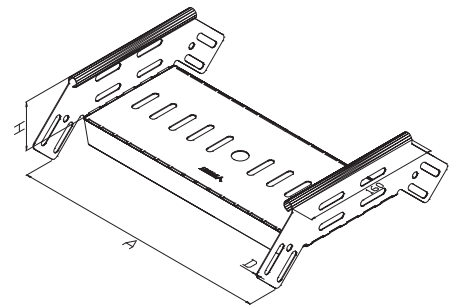
ITEM	MATERIAL	H (mm)	A (mm)	D (mm)	KG/PC.	PACKAGE	PROD. CODE
PKP-ZK 60/50	■ FeZn	60	50	0,8	0,22	2	<b>88701100</b>
PKP-ZK 60/100	■ FeZn	60	100	0,8	0,26	2	<b>88701101</b>
PKP-ZK 60/200	■ FeZn	60	200	0,8	0,36	2	<b>88701102</b>
PKP-ZK 60/300	■ FeZn	60	300	0,8	0,45	2	<b>88701103</b>
PKP-ZK 60/400	■ FeZn	60	400	0,8	0,55	2	<b>88701104</b>
PKP-ZK 60/500	■ FeZn	60	500	0,8	0,65	2	<b>88701105</b>
PKP-ZK 60/600	■ FeZn	60	600	0,8	1,10	2	<b>88701220</b>

ITEM	MATERIAL	H (mm)	A (mm)	D (mm)	KG/PC.	PACKAGE	PROD. CODE
PKP-ZK 60/50	■ Rf	60	50	0,8	0,22	2	<b>88702200</b>
PKP-ZK 60/100	■ Rf	60	100	0,8	0,26	2	<b>88702201</b>
PKP-ZK 60/200	■ Rf	60	200	0,8	0,36	2	<b>88702202</b>
PKP-ZK 60/300	■ Rf	60	300	0,8	0,45	2	<b>88702203</b>
PKP-ZK 60/400	■ Rf	60	400	0,8	0,55	2	<b>88702204</b>
PKP-ZK 60/500	■ Rf	60	500	0,8	0,65	2	<b>88702205</b>
PKP-ZK 60/600	■ Rf	60	600	0,8	1,10	2	<b>88702316</b>

ITEM	MATERIAL	H (mm)	A (mm)	D (mm)	KG/PC.	PACKAGE	PROD. CODE
PKP-ZK 60/50	■ FeZn-H	60	50	0,8	0,24	2	<b>88706620</b>
PKP-ZK 60/100	■ FeZn-H	60	100	0,8	0,29	2	<b>88706621</b>
PKP-ZK 60/200	■ FeZn-H	60	200	0,8	0,40	2	<b>88706622</b>
PKP-ZK 60/300	■ FeZn-H	60	300	0,8	0,50	2	<b>88706623</b>
PKP-ZK 60/400	■ FeZn-H	60	400	0,8	0,60	2	<b>88706624</b>
PKP-ZK 60/500	■ FeZn-H	60	500	0,8	0,70	2	<b>88706625</b>
PKP-ZK 60/600	■ FeZn-H	60	600	0,8	1,21	2	<b>88706626</b>

ITEM	MATERIAL	H (mm)	A (mm)	D (mm)	KG/PC.	PACKAGE	PROD. CODE
PKP-ZK 60/50	■ Rf*H4	60	50	0,8	0,22	2	<b>88717700*</b>
PKP-ZK 60/100	■ Rf*H4	60	100	0,8	0,26	2	<b>88717701*</b>
PKP-ZK 60/200	■ Rf*H4	60	200	0,8	0,36	2	<b>88717702*</b>
PKP-ZK 60/300	■ Rf*H4	60	300	0,8	0,45	2	<b>88717703*</b>
PKP-ZK 60/400	■ Rf*H4	60	400	0,8	0,55	2	<b>88717704*</b>
PKP-ZK 60/500	■ Rf*H4	60	500	0,8	0,65	2	<b>88717705*</b>
PKP-ZK 60/600	■ Rf*H4	60	600	0,8	1,10	2	<b>88717706*</b>

ITEM	MATERIAL	H (mm)	A (mm)	D (mm)	KG/PC.	PACKAGE	PROD. CODE
PKP-ZK 60/50	■ FeZn-PVC	60	50	0,8	0,24	2	<b>88703300*</b>
PKP-ZK 60/100	■ FeZn-PVC	60	100	0,8	0,29	2	<b>88703301*</b>
PKP-ZK 60/200	■ FeZn-PVC	60	200	0,8	0,40	2	<b>88703302*</b>
PKP-ZK 60/300	■ FeZn-PVC	60	300	0,8	0,50	2	<b>88703303*</b>
PKP-ZK 60/400	■ FeZn-PVC	60	400	0,8	0,60	2	<b>88703304*</b>
PKP-ZK 60/500	■ FeZn-PVC	60	500	0,8	0,71	2	<b>88703305*</b>
PKP-ZK 60/600	■ FeZn-PVC	60	600	0,8	1,21	2	*

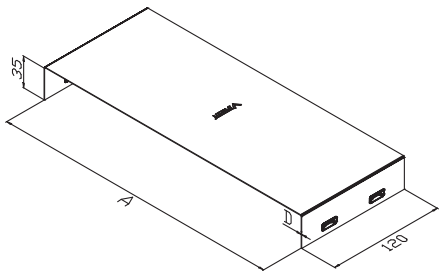


\* upon request

## &gt;&gt; Cable trays KP 60

**PKP-ZKP External elbow cover 90°**

Attachment by click system.



ITEM	MATERIAL	A (mm)	D (mm)	KG/PC.	PACKAGE	PROD. CODE
PKP-ZKP 50	■ FeZn	50	0,6	0,07	2	<b>88701217</b>
PKP-ZKP 100	■ FeZn	100	0,6	0,13	2	<b>88701106</b>
PKP-ZKP 200	■ FeZn	200	0,6	0,20	2	<b>88701107</b>
PKP-ZKP 300	■ FeZn	300	0,6	0,23	2	<b>88701108</b>
PKP-ZKP 400	■ FeZn	400	0,6	0,29	2	<b>88701109</b>
PKP-ZKP 500	■ FeZn	500	0,6	0,33	2	<b>88701110</b>
PKP-ZKP 600	■ FeZn	600	0,6	0,38	2	<b>88701216</b>

ITEM	MATERIAL	A (mm)	D (mm)	KG/PC.	PACKAGE	PROD. CODE
PKP-ZKP 50	■ Rf	50	0,6	0,07	2	<b>88702317</b>
PKP-ZKP 100	■ Rf	100	0,6	0,13	2	<b>88702206</b>
PKP-ZKP 200	■ Rf	200	0,6	0,20	2	<b>88702207</b>
PKP-ZKP 300	■ Rf	300	0,6	0,23	2	<b>88702208</b>
PKP-ZKP 400	■ Rf	400	0,6	0,29	2	<b>88702209</b>
PKP-ZKP 500	■ Rf	500	0,6	0,33	2	<b>88702210</b>
PKP-ZKP 600	■ Rf	600	0,6	0,38	2	<b>88702318</b>

ITEM	MATERIAL	A (mm)	D (mm)	KG/PC.	PACKAGE	PROD. CODE
PKP-ZKP 50	■ FeZn-H	50	0,8	0,12	2	<b>88706710</b>
PKP-ZKP 100	■ FeZn-H	100	0,8	0,16	2	<b>88706711</b>
PKP-ZKP 200	■ FeZn-H	200	0,8	0,25	2	<b>88706712</b>
PKP-ZKP 300	■ FeZn-H	300	0,8	0,35	2	<b>88706713</b>
PKP-ZKP 400	■ FeZn-H	400	0,8	0,45	2	<b>88706714</b>
PKP-ZKP 500	■ FeZn-H	500	0,8	0,55	2	<b>88706715</b>
PKP-ZKP 600	■ FeZn-H	600	0,8	0,65	2	<b>88706716</b>

ITEM	MATERIAL	A (mm)	D (mm)	KG/PC.	PACKAGE	PROD. CODE
PKP-ZKP 50	■ Rf*H4	50	0,6	0,07	2	<b>88717710*</b>
PKP-ZKP 100	■ Rf*H4	100	0,6	0,13	2	<b>88717711*</b>
PKP-ZKP 200	■ Rf*H4	200	0,6	0,20	2	<b>88717712*</b>
PKP-ZKP 300	■ Rf*H4	300	0,6	0,23	2	<b>88717713*</b>
PKP-ZKP 400	■ Rf*H4	400	0,6	0,29	2	<b>88717714*</b>
PKP-ZKP 500	■ Rf*H4	500	0,6	0,33	2	<b>88717715*</b>
PKP-ZKP 600	■ Rf*H4	600	0,6	0,38	2	<b>88717716*</b>

ITEM	MATERIAL	A (mm)	D (mm)	KG/PC.	PACKAGE	PROD. CODE
PKP-ZKP 50	■ FeZn-PVC	50	0,6	0,11	2	<b>88703417*</b>
PKP-ZKP 100	■ FeZn-PVC	100	0,6	0,15	2	<b>88703306*</b>
PKP-ZKP 200	■ FeZn-PVC	200	0,6	0,24	2	<b>88703307*</b>
PKP-ZKP 300	■ FeZn-PVC	300	0,6	0,34	2	<b>88703308*</b>
PKP-ZKP 400	■ FeZn-PVC	400	0,6	0,43	2	<b>88703309*</b>
PKP-ZKP 500	■ FeZn-PVC	500	0,6	0,53	2	<b>88703310*</b>
PKP-ZKP 600	■ FeZn-PVC	600	0,6	0,62	2	<b>88703418*</b>

\* upon request

## >> Cable trays KP 60

### PKP-NK 60/- Internal elbow 90°

The mounting is carried out with **PPKP M6x12** (8x) connection bolts and **PPKP M6** (8x) flange nuts.

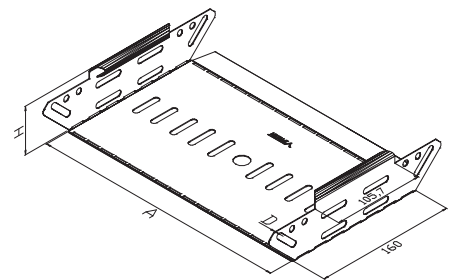
ITEM	MATERIAL	H (mm)	A (mm)	D (mm)	KG/PC.	PACKAGE	PROD. CODE
PKP-NK 60/50	■ FeZn	60	50	0,8	0,18	2	<b>88701218</b>
PKP-NK 60/100	■ FeZn	60	100	0,8	0,23	2	<b>88701111</b>
PKP-NK 60/200	■ FeZn	60	200	0,8	0,36	2	<b>88701112</b>
PKP-NK 60/300	■ FeZn	60	300	0,8	0,48	2	<b>88701113</b>
PKP-NK 60/400	■ FeZn	60	400	0,8	0,59	2	<b>88701114</b>
PKP-NK 60/500	■ FeZn	60	500	0,8	0,71	2	<b>88701115</b>
PKP-NK 60/600	■ FeZn	60	600	0,8	1,00	2	<b>88701221</b>

ITEM	MATERIAL	H (mm)	A (mm)	D (mm)	KG/PC.	PACKAGE	PROD. CODE
PKP-NK 60/50	■ Rf	60	50	0,8	0,18	2	<b>88702319</b>
PKP-NK 60/100	■ Rf	60	100	0,8	0,23	2	<b>88702211</b>
PKP-NK 60/200	■ Rf	60	200	0,8	0,36	2	<b>88702212</b>
PKP-NK 60/300	■ Rf	60	300	0,8	0,48	2	<b>88702213</b>
PKP-NK 60/400	■ Rf	60	400	0,8	0,59	2	<b>88702214</b>
PKP-NK 60/500	■ Rf	60	500	0,8	0,71	2	<b>88702215</b>
PKP-NK 60/600	■ Rf	60	600	0,8	1,00	2	<b>88702320</b>

ITEM	MATERIAL	H (mm)	A (mm)	D (mm)	KG/PC.	PACKAGE	PROD. CODE
PKP-NK 60/50	■ FeZn-H	60	50	0,8	0,20	2	<b>88706690</b>
PKP-NK 60/100	■ FeZn-H	60	100	0,8	0,26	2	<b>88706691</b>
PKP-NK 60/200	■ FeZn-H	60	200	0,8	0,40	2	<b>88706692</b>
PKP-NK 60/300	■ FeZn-H	60	300	0,8	0,53	2	<b>88706693</b>
PKP-NK 60/400	■ FeZn-H	60	400	0,8	0,65	2	<b>88706694</b>
PKP-NK 60/500	■ FeZn-H	60	500	0,8	0,78	2	<b>88706695</b>
PKP-NK 60/600	■ FeZn-H	60	600	0,8	1,10	2	<b>88706696</b>

ITEM	MATERIAL	H (mm)	A (mm)	D (mm)	KG/PC.	PACKAGE	PROD. CODE
PKP-NK 60/50	■ Rf*H4	60	50	0,8	0,18	2	<b>88704423*</b>
PKP-NK 60/100	■ Rf*H4	60	100	0,8	0,23	2	<b>88704424*</b>
PKP-NK 60/200	■ Rf*H4	60	200	0,8	0,36	2	<b>88704425*</b>
PKP-NK 60/300	■ Rf*H4	60	300	0,8	0,48	2	<b>88704426*</b>
PKP-NK 60/400	■ Rf*H4	60	400	0,8	0,59	2	<b>88704427*</b>
PKP-NK 60/500	■ Rf*H4	60	500	0,8	0,71	2	<b>88704428*</b>
PKP-NK 60/600	■ Rf*H4	60	600	0,8	1,00	2	<b>88704429*</b>

ITEM	MATERIAL	H (mm)	A (mm)	D (mm)	KG/PC.	PACKAGE	PROD. CODE
PKP-NK 60/50	■ FeZn-PVC	60	50	0,8	0,20	2	<b>88703419*</b>
PKP-NK 60/100	■ FeZn-PVC	60	100	0,8	0,26	2	<b>88703311*</b>
PKP-NK 60/200	■ FeZn-PVC	60	200	0,8	0,40	2	<b>88703312*</b>
PKP-NK 60/300	■ FeZn-PVC	60	300	0,8	0,53	2	<b>88703313*</b>
PKP-NK 60/400	■ FeZn-PVC	60	400	0,8	0,65	2	<b>88703314*</b>
PKP-NK 60/500	■ FeZn-PVC	60	500	0,8	0,78	2	<b>88703315*</b>
PKP-NK 60/600	■ FeZn-PVC	60	600	0,8	1,10	2	<b>88703420*</b>

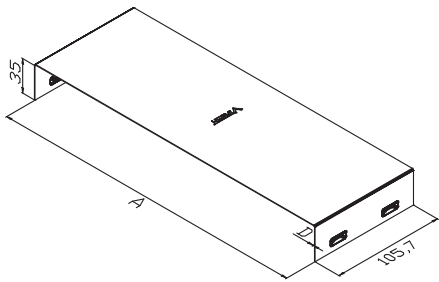


\* upon request

## &gt;&gt; Cable trays KP 60

**PKP-NKP Internal elbow cover 90°**

Attachment by click system.



ITEM	MATERIAL	A (mm)	D (mm)	KG/PC.	PACKAGE	PROD. CODE
PKP-NKP 50	■ FeZn	50	0,6	0,06	2	<b>88701219</b>
PKP-NKP 100	■ FeZn	100	0,6	0,09	2	<b>88701116</b>
PKP-NKP 200	■ FeZn	200	0,6	0,18	2	<b>88701117</b>
PKP-NKP 300	■ FeZn	300	0,6	0,19	2	<b>88701118</b>
PKP-NKP 400	■ FeZn	400	0,6	0,24	2	<b>88701119</b>
PKP-NKP 500	■ FeZn	500	0,6	0,28	2	<b>88701120</b>
PKP-NKP 600	■ FeZn	600	0,6	0,33	2	<b>88701226</b>

ITEM	MATERIAL	A (mm)	D (mm)	KG/PC.	PACKAGE	PROD. CODE
PKP-NKP 50	■ Rf	50	0,6	0,06	2	<b>88702321</b>
PKP-NKP 100	■ Rf	100	0,6	0,09	2	<b>88702216</b>
PKP-NKP 200	■ Rf	200	0,6	0,18	2	<b>88702217</b>
PKP-NKP 300	■ Rf	300	0,6	0,19	2	<b>88702218</b>
PKP-NKP 400	■ Rf	400	0,6	0,24	2	<b>88702219</b>
PKP-NKP 500	■ Rf	500	0,6	0,28	2	<b>88702220</b>
PKP-NKP 600	■ Rf	600	0,6	0,33	2	<b>88702322</b>

ITEM	MATERIAL	A (mm)	D (mm)	KG/PC.	PACKAGE	PROD. CODE
PKP-NKP 50	■ FeZn-H	50	0,8	0,08	2	<b>88706730</b>
PKP-NKP 100	■ FeZn-H	100	0,8	0,13	2	<b>88706731</b>
PKP-NKP 200	■ FeZn-H	200	0,8	0,21	2	<b>88706732</b>
PKP-NKP 300	■ FeZn-H	300	0,8	0,22	2	<b>88706733</b>
PKP-NKP 400	■ FeZn-H	400	0,8	0,27	2	<b>88706734</b>
PKP-NKP 500	■ FeZn-H	500	0,8	0,33	2	<b>88706735</b>
PKP-NKP 600	■ FeZn-H	600	0,8	0,38	2	<b>88706736</b>

ITEM	MATERIAL	A (mm)	D (mm)	KG/PC.	PACKAGE	PROD. CODE
PKP-NKP 50	■ Rf*H4	50	0,6	0,06	2	<b>88704422*</b>
PKP-NKP 100	■ Rf*H4	100	0,6	0,09	2	<b>88704416*</b>
PKP-NKP 200	■ Rf*H4	200	0,6	0,18	2	<b>88704417*</b>
PKP-NKP 300	■ Rf*H4	300	0,6	0,19	2	<b>88704418*</b>
PKP-NKP 400	■ Rf*H4	400	0,6	0,24	2	<b>88704419*</b>
PKP-NKP 500	■ Rf*H4	500	0,6	0,28	2	<b>88704420*</b>
PKP-NKP 600	■ Rf*H4	600	0,6	0,33	2	<b>88704421*</b>

ITEM	MATERIAL	A (mm)	D (mm)	KG/PC.	PACKAGE	PROD. CODE
PKP-NKP 50	■ FeZn-PVC	50	0,6	0,06	2	<b>88703421*</b>
PKP-NKP 100	■ FeZn-PVC	100	0,6	0,09	2	<b>88703316*</b>
PKP-NKP 200	■ FeZn-PVC	200	0,6	0,19	2	<b>88703317*</b>
PKP-NKP 300	■ FeZn-PVC	300	0,6	0,20	2	<b>88703318*</b>
PKP-NKP 400	■ FeZn-PVC	400	0,6	0,26	2	<b>88703319*</b>
PKP-NKP 500	■ FeZn-PVC	500	0,6	0,31	2	<b>88703320*</b>
PKP-NKP 600	■ FeZn-PVC	600	0,6	0,36	2	<b>88703422*</b>

\* upon request



## >> Cable trays KP 60

### PKP-KO 60/- Truncated elbow 90°

The mounting is carried out with **PPKP M6x12** (8x) connection bolts and **PPKP M6** (8x) flange nuts.

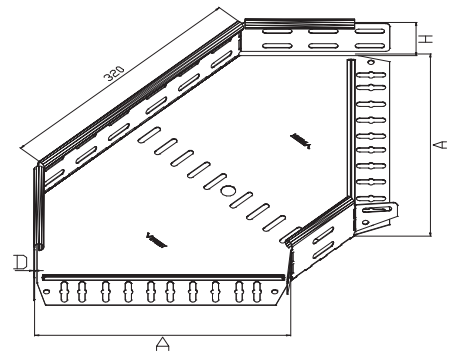
ITEM	MATERIAL	H (mm)	A (mm)	D (mm)	KG/PC.	PACKAGE	PROD. CODE
PKP-KO 60/50/90°	■ FeZn	60	50	0,8	0,22	2	<b>88701184</b>
PKP-KO 60/100/90°	■ FeZn	60	100	0,8	0,34	2	<b>88701131</b>
PKP-KO 60/200/90°	■ FeZn	60	200	0,8	0,65	2	<b>88701132</b>
PKP-KO 60/300/90°	■ FeZn	60	300	0,8	1,05	2	<b>88701133</b>
PKP-KO 60/400/90°	■ FeZn	60	400	0,8	1,58	2	<b>88701134</b>
PKP-KO 60/500/90°	■ FeZn	60	500	0,8	2,26	2	<b>88701135</b>
PKP-KO 60/600/90°	■ FeZn	60	600	0,8	2,50	2	<b>88701186</b>

ITEM	MATERIAL	H (mm)	A (mm)	D (mm)	KG/PC.	PACKAGE	PROD. CODE
PKP-KO 60/50/90°	■ Rf	60	50	0,8	0,22	2	<b>88702284</b>
PKP-KO 60/100/90°	■ Rf	60	100	0,8	0,34	2	<b>88702231</b>
PKP-KO 60/150/90°	■ Rf	60	150	0,8	0,49	2	<b>88702361</b>
PKP-KO 60/200/90°	■ Rf	60	200	0,8	0,65	2	<b>88702232</b>
PKP-KO 60/300/90°	■ Rf	60	300	0,8	1,05	2	<b>88702233</b>
PKP-KO 60/400/90°	■ Rf	60	400	0,8	1,58	2	<b>88702234</b>
PKP-KO 60/500/90°	■ Rf	60	500	0,8	2,26	2	<b>88702235</b>
PKP-KO 60/600/90°	■ Rf	60	600	0,8	2,50	2	<b>88702286</b>

ITEM	MATERIAL	H (mm)	A (mm)	D (mm)	KG/PC.	PACKAGE	PROD. CODE
PKP-KO 60/50/90°	■ FeZn-H	60	50	0,8	0,24	2	<b>88706630</b>
PKP-KO 60/100/90°	■ FeZn-H	60	100	0,8	0,38	2	<b>88706631</b>
PKP-KO 60/200/90°	■ FeZn-H	60	200	0,8	0,72	2	<b>88706632</b>
PKP-KO 60/300/90°	■ FeZn-H	60	300	0,8	1,16	2	<b>88706633</b>
PKP-KO 60/400/90°	■ FeZn-H	60	400	0,8	1,83	2	<b>88706634</b>
PKP-KO 60/500/90°	■ FeZn-H	60	500	0,8	2,50	2	<b>88706635</b>
PKP-KO 60/600/90°	■ FeZn-H	60	600	0,8	3,30	2	<b>88706636</b>

ITEM	MATERIAL	H (mm)	A (mm)	D (mm)	KG/PC.	PACKAGE	PROD. CODE
PKP-KO 60/50/90°	■ Rf*H4	60	50	0,8	0,22	2	<b>88704430*</b>
PKP-KO 60/100/90°	■ Rf*H4	60	100	0,8	0,34	2	<b>88704431*</b>
PKP-KO 60/200/90°	■ Rf*H4	60	200	0,8	0,65	2	<b>88704432*</b>
PKP-KO 60/300/90°	■ Rf*H4	60	300	0,8	1,05	2	<b>88704433*</b>
PKP-KO 60/400/90°	■ Rf*H4	60	400	0,8	1,58	2	<b>88704434*</b>
PKP-KO 60/500/90°	■ Rf*H4	60	500	0,8	2,26	2	<b>88704435*</b>
PKP-KO 60/600/90°	■ Rf*H4	60	600	0,8	2,50	2	<b>88704486*</b>

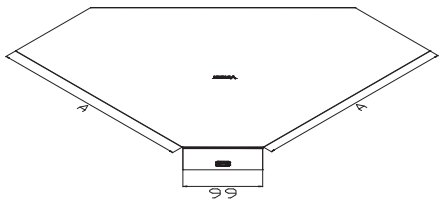
ITEM	MATERIAL	H (mm)	A (mm)	D (mm)	KG/PC.	PACKAGE	PROD. CODE
PKP-KO 60/50/90°	■ FeZn-PVC	60	50	0,8	0,24	2	<b>88703384*</b>
PKP-KO 60/100/90°	■ FeZn-PVC	60	100	0,8	0,38	2	<b>88703331*</b>
PKP-KO 60/200/90°	■ FeZn-PVC	60	200	0,8	0,72	2	<b>88703332*</b>
PKP-KO 60/300/90°	■ FeZn-PVC	60	300	0,8	1,16	2	<b>88703333*</b>
PKP-KO 60/400/90°	■ FeZn-PVC	60	400	0,8	1,83	2	<b>88703334*</b>
PKP-KO 60/500/90°	■ FeZn-PVC	60	500	0,8	2,50	2	<b>88703335*</b>
PKP-KO 60/600/90°	■ FeZn-PVC	60	600	0,8	3,30	2	<b>88703386*</b>



# >> Cable trays KP 60

## PKP-KOP Truncated elbow cover 90°

Attachment by click system.



ITEM	MATERIAL	A (mm)	D (mm)	KG/PC.	PACKAGE	PROD. CODE
PKP-KOP 50/90°	■ FeZn	50	0,6	0,10	2	<b>88701227</b>
PKP-KOP 100/90°	■ FeZn	100	0,6	0,14	2	<b>88701136</b>
PKP-KOP 200/90°	■ FeZn	200	0,6	0,33	2	<b>88701137</b>
PKP-KOP 300/90°	■ FeZn	300	0,6	0,56	2	<b>88701138</b>
PKP-KOP 400/90°	■ FeZn	400	0,6	0,96	2	<b>88701139</b>
PKP-KOP 500/90°	■ FeZn	500	0,6	1,31	2	<b>88701140</b>
PKP-KOP 600/90°	■ FeZn	600	0,6	1,35	2	<b>88701228</b>

ITEM	MATERIAL	A (mm)	D (mm)	KG/PC.	PACKAGE	PROD. CODE
PKP-KOP 50/90°	■ Rf	50	0,6	0,10	2	<b>88702326</b>
PKP-KOP 100/90°	■ Rf	100	0,6	0,14	2	<b>88702236</b>
PKP-KOP 200/90°	■ Rf	200	0,6	0,33	2	<b>88702237</b>
PKP-KOP 300/90°	■ Rf	300	0,6	0,56	2	<b>88702238</b>
PKP-KOP 400/90°	■ Rf	400	0,6	0,96	2	<b>88702239</b>
PKP-KOP 500/90°	■ Rf	500	0,6	1,31	2	<b>88702240</b>
PKP-KOP 600/90°	■ Rf	600	0,6	1,35	2	<b>88702327</b>

ITEM	MATERIAL	A (mm)	D (mm)	KG/PC.	PACKAGE	PROD. CODE
PKP-KOP 50/90°	■ FeZn-H	50	0,8	0,17	2	<b>88706740</b>
PKP-KOP 100/90°	■ FeZn-H	100	0,8	0,21	2	<b>88706741</b>
PKP-KOP 200/90°	■ FeZn-H	200	0,8	0,38	2	<b>88706742</b>
PKP-KOP 300/90°	■ FeZn-H	300	0,8	0,65	2	<b>88706743</b>
PKP-KOP 400/90°	■ FeZn-H	400	0,8	1,11	2	<b>88706744</b>
PKP-KOP 500/90°	■ FeZn-H	500	0,8	1,51	2	<b>88706745</b>
PKP-KOP 600/90°	■ FeZn-H	600	0,8	1,56	2	<b>88706746</b>

ITEM	MATERIAL	A (mm)	D (mm)	KG/PC.	PACKAGE	PROD. CODE
PKP-KOP 50/90°	■ Rf*H4	50	0,6	0,10	2	<b>88704484*</b>
PKP-KOP 100/90°	■ Rf*H4	100	0,6	0,14	2	<b>88704436*</b>
PKP-KOP 200/90°	■ Rf*H4	200	0,6	0,33	2	<b>88704437*</b>
PKP-KOP 300/90°	■ Rf*H4	300	0,6	0,56	2	<b>88704438*</b>
PKP-KOP 400/90°	■ Rf*H4	400	0,6	0,96	2	<b>88704439*</b>
PKP-KOP 500/90°	■ Rf*H4	500	0,6	1,31	2	<b>88704440*</b>
PKP-KOP 600/90°	■ Rf*H4	600	0,6	1,35	2	<b>88704492*</b>

ITEM	MATERIAL	A (mm)	D (mm)	KG/PC.	PACKAGE	PROD. CODE
PKP-KOP 50/90°	■ FeZn-PVC	50	0,6	0,11	2	<b>88703423*</b>
PKP-KOP 100/90°	■ FeZn-PVC	100	0,6	0,15	2	<b>88703336*</b>
PKP-KOP 200/90°	■ FeZn-PVC	200	0,6	0,36	2	<b>88703337*</b>
PKP-KOP 300/90°	■ FeZn-PVC	300	0,6	0,62	2	<b>88703338*</b>
PKP-KOP 400/90°	■ FeZn-PVC	400	0,6	1,06	2	<b>88703339*</b>
PKP-KOP 500/90°	■ FeZn-PVC	500	0,6	1,44	2	<b>88703340*</b>
PKP-KOP 600/90°	■ FeZn-PVC	600	0,6	1,48	2	<b>88703424*</b>

\* upon request

## >> Cable trays KP 60

### PKP-KO 60/- Truncated elbow 45°

The mounting is carried out with **PPKP M6x12 (8x)** connection bolts and **PPKP M6 (8x)** flange nuts.

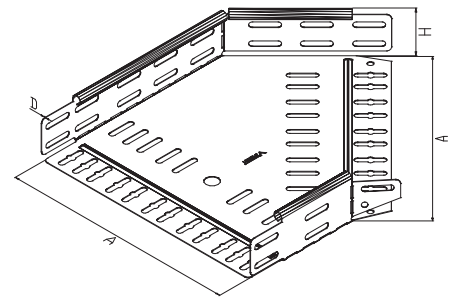
ITEM	MATERIAL	H (mm)	A (mm)	D (mm)	KG/PC.	PACKAGE	PROD. CODE
PKP-KO 60/50/45°	■ FeZn	60	50	0,8	0,20	2	<b>88701234</b>
PKP-KO 60/100/45°	■ FeZn	60	100	0,8	0,29	2	<b>88701161</b>
PKP-KO 60/200/45°	■ FeZn	60	200	0,8	0,47	2	<b>88701162</b>
PKP-KO 60/300/45°	■ FeZn	60	300	0,8	0,71	2	<b>88701163</b>
PKP-KO 60/400/45°	■ FeZn	60	400	0,8	1,10	2	<b>88701164</b>
PKP-KO 60/500/45°	■ FeZn	60	500	0,8	1,42	2	<b>88701165</b>
PKP-KO 60/600/45°	■ FeZn	60	600	0,8	1,95	2	<b>88701235</b>

ITEM	MATERIAL	H (mm)	A (mm)	D (mm)	KG/PC.	PACKAGE	PROD. CODE
PKP-KO 60/50/45°	■ Rf	60	50	0,8	0,20	2	<b>88702334</b>
PKP-KO 60/100/45°	■ Rf	60	100	0,8	0,29	2	<b>88702261</b>
PKP-KO 60/200/45°	■ Rf	60	200	0,8	0,47	2	<b>88702262</b>
PKP-KO 60/300/45°	■ Rf	60	300	0,8	0,71	2	<b>88702263</b>
PKP-KO 60/400/45°	■ Rf	60	400	0,8	1,10	2	<b>88702264</b>
PKP-KO 60/500/45°	■ Rf	60	500	0,8	1,42	2	<b>88702265</b>
PKP-KO 60/600/45°	■ Rf	60	600	0,8	1,95	2	<b>88702335</b>

ITEM	MATERIAL	H (mm)	A (mm)	D (mm)	KG/PC.	PACKAGE	PROD. CODE
PKP-KO 60/50/45°	■ FeZn-H	60	50	0,8	0,22	2	<b>88706660</b>
PKP-KO 60/100/45°	■ FeZn-H	60	100	0,8	0,32	2	<b>88706661</b>
PKP-KO 60/200/45°	■ FeZn-H	60	200	0,8	0,51	2	<b>88706662</b>
PKP-KO 60/300/45°	■ FeZn-H	60	300	0,8	0,78	2	<b>88706663</b>
PKP-KO 60/400/45°	■ FeZn-H	60	400	0,8	1,21	2	<b>88706664</b>
PKP-KO 60/500/45°	■ FeZn-H	60	500	0,8	1,56	2	<b>88706665</b>
PKP-KO 60/600/45°	■ FeZn-H	60	600	0,8	2,15	2	<b>88706666</b>

ITEM	MATERIAL	H (mm)	A (mm)	D (mm)	KG/PC.	PACKAGE	PROD. CODE
PKP-KO 60/50/45°	■ Rf*H4	60	50	0,8	0,20	2	<b>88704460*</b>
PKP-KO 60/100/45°	■ Rf*H4	60	100	0,8	0,29	2	<b>88704461*</b>
PKP-KO 60/200/45°	■ Rf*H4	60	200	0,8	0,47	2	<b>88704462*</b>
PKP-KO 60/300/45°	■ Rf*H4	60	300	0,8	0,71	2	<b>88704463*</b>
PKP-KO 60/400/45°	■ Rf*H4	60	400	0,8	1,10	2	<b>88704464*</b>
PKP-KO 60/500/45°	■ Rf*H4	60	500	0,8	1,42	2	<b>88704465*</b>
PKP-KO 60/600/45°	■ Rf*H4	60	600	0,8	1,95	2	<b>88704466*</b>

ITEM	MATERIAL	H (mm)	A (mm)	D (mm)	KG/PC.	PACKAGE	PROD. CODE
PKP-KO 60/50/45°	■ FeZn-PVC	60	50	0,8	0,22	2	<b>88703434*</b>
PKP-KO 60/100/45°	■ FeZn-PVC	60	100	0,8	0,32	2	<b>88703361*</b>
PKP-KO 60/200/45°	■ FeZn-PVC	60	200	0,8	0,51	2	<b>88703362*</b>
PKP-KO 60/300/45°	■ FeZn-PVC	60	300	0,8	0,78	2	<b>88703363*</b>
PKP-KO 60/400/45°	■ FeZn-PVC	60	400	0,8	1,21	2	<b>88703364*</b>
PKP-KO 60/500/45°	■ FeZn-PVC	60	500	0,8	1,56	2	<b>88703365*</b>
PKP-KO 60/600/45°	■ FeZn-PVC	60	600	0,8	2,15	2	<b>88703435*</b>



\* upon request

## &gt;&gt; Cable trays KP 60

**PKP-KOP Truncated elbow cover 45°**

Attachment by click system.

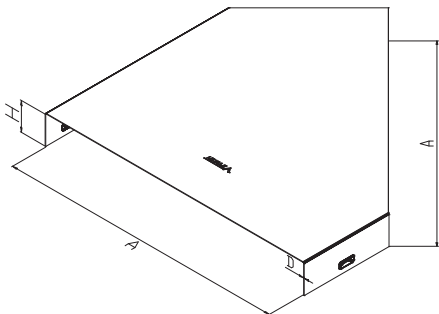
ITEM	MATERIAL	A (mm)	D (mm)	KG/PC.	PACKAGE	PROD. CODE
PKP-KOP 50/45°	■ FeZn	50	0,6	0,05	2	<b>88701236</b>
PKP-KOP 100/45°	■ FeZn	100	0,6	0,11	2	<b>88701166</b>
PKP-KOP 200/45°	■ FeZn	200	0,6	0,22	2	<b>88701167</b>
PKP-KOP 300/45°	■ FeZn	300	0,6	0,37	2	<b>88701168</b>
PKP-KOP 400/45°	■ FeZn	400	0,6	0,58	2	<b>88701169</b>
PKP-KOP 500/45°	■ FeZn	500	0,6	0,80	2	<b>88701170</b>
PKP-KOP 600/45°	■ FeZn	600	0,6	0,82	2	<b>88701237</b>

ITEM	MATERIAL	A (mm)	D (mm)	KG/PC.	PACKAGE	PROD. CODE
PKP-KOP 50/45°	■ Rf	50	0,6	0,05	2	<b>88702336</b>
PKP-KOP 100/45°	■ Rf	100	0,6	0,11	2	<b>88702266</b>
PKP-KOP 200/45°	■ Rf	200	0,6	0,22	2	<b>88702267</b>
PKP-KOP 300/45°	■ Rf	300	0,6	0,37	2	<b>88702268</b>
PKP-KOP 400/45°	■ Rf	400	0,6	0,58	2	<b>88702269</b>
PKP-KOP 500/45°	■ Rf	500	0,6	0,80	2	<b>88702270</b>
PKP-KOP 600/45°	■ Rf	600	0,6	0,82	2	<b>88702337</b>

ITEM	MATERIAL	A (mm)	D (mm)	KG/PC.	PACKAGE	PROD. CODE
PKP-KOP 50/45°	■ FeZn-H	50	0,8	0,06	2	<b>88706750</b>
PKP-KOP 100/45°	■ FeZn-H	100	0,8	0,13	2	<b>88706751</b>
PKP-KOP 200/45°	■ FeZn-H	200	0,8	0,23	2	<b>88706752</b>
PKP-KOP 300/45°	■ FeZn-H	300	0,8	0,43	2	<b>88706753</b>
PKP-KOP 400/45°	■ FeZn-H	400	0,8	0,67	2	<b>88706754</b>
PKP-KOP 500/45°	■ FeZn-H	500	0,8	0,92	2	<b>88706755</b>
PKP-KOP 600/45°	■ FeZn-H	600	0,8	0,95	2	<b>88706756</b>

ITEM	MATERIAL	A (mm)	D (mm)	KG/PC.	PACKAGE	PROD. CODE
PKP-KOP 50/45°	■ Rf*H4	50	0,6	0,05	2	<b>88717780*</b>
PKP-KOP 100/45°	■ Rf*H4	100	0,6	0,11	2	<b>88717781*</b>
PKP-KOP 200/45°	■ Rf*H4	200	0,6	0,22	2	<b>88717782*</b>
PKP-KOP 300/45°	■ Rf*H4	300	0,6	0,37	2	<b>88717783*</b>
PKP-KOP 400/45°	■ Rf*H4	400	0,6	0,58	2	<b>88717784*</b>
PKP-KOP 500/45°	■ Rf*H4	500	0,6	0,80	2	<b>88717785*</b>
PKP-KOP 600/45°	■ Rf*H4	600	0,6	0,82	2	<b>88717786*</b>

ITEM	MATERIAL	A (mm)	D (mm)	KG/PC.	PACKAGE	PROD. CODE
PKP-KOP 50/45°	■ FeZn-PVC	50	0,6	0,06	2	<b>88703436*</b>
PKP-KOP 100/45°	■ FeZn-PVC	100	0,6	0,12	2	<b>88703366*</b>
PKP-KOP 200/45°	■ FeZn-PVC	200	0,6	0,24	2	<b>88703367*</b>
PKP-KOP 300/45°	■ FeZn-PVC	300	0,6	0,41	2	<b>88703368*</b>
PKP-KOP 400/45°	■ FeZn-PVC	400	0,6	0,64	2	<b>88703369*</b>
PKP-KOP 500/45°	■ FeZn-PVC	500	0,6	0,88	2	<b>88703370*</b>
PKP-KOP 600/45°	■ FeZn-PVC	600	0,6	0,90	2	<b>88703437*</b>



\* upon request

## >> Cable trays KP 60

### PKP-KO 60/- Adjustable elbow 0-90°

Easy 0-90° elbow adjustment. The mounting is carried out with **PPKP M6x12** (8x) connection bolts and **PPKP M6** (8x) flange nuts.

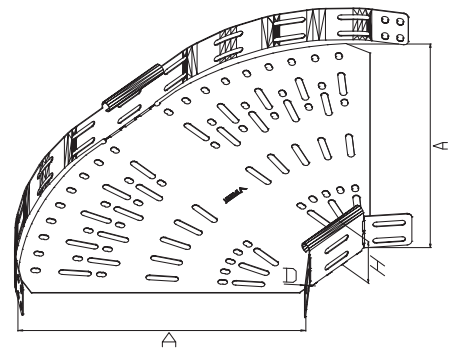
ITEM	MATERIAL	H (mm)	A (mm)	D (mm)	KG/PC.	PACKAGE	PROD. CODE
PKP-KO 60/50/0-90°	■ FeZn	60	50	0,8	0,16	2	<b>88701310</b>
PKP-KO 60/100/0-90°	■ FeZn	60	100	0,8	0,35	2	<b>88701311</b>
PKP-KO 60/150/0-90°	■ FeZn	60	150	0,8	0,48	2	<b>88701317</b>
PKP-KO 60/200/0-90°	■ FeZn	60	200	0,8	0,60	2	<b>88701312</b>
PKP-KO 60/300/0-90°	■ FeZn	60	300	0,8	1,10	2	<b>88701313</b>
PKP-KO 60/400/0-90°	■ FeZn	60	400	0,8	1,70	2	<b>88701314</b>
PKP-KO 60/500/0-90°	■ FeZn	60	500	0,8	2,40	2	<b>88701315</b>
PKP-KO 60/600/0-90°	■ FeZn	60	600	0,8	3,20	2	<b>88701316</b>

ITEM	MATERIAL	H (mm)	A (mm)	D (mm)	KG/PC.	PACKAGE	PROD. CODE
PKP-KO 60/50/0-90°	■ Rf	60	50	0,8	0,16	2	<b>88702410</b>
PKP-KO 60/100/0-90°	■ Rf	60	100	0,8	0,35	2	<b>88702411</b>
PKP-KO 60/150/0-90°	■ Rf	60	150	0,8	0,48	2	<b>88702417</b>
PKP-KO 60/200/0-90°	■ Rf	60	200	0,8	0,60	2	<b>88702412</b>
PKP-KO 60/300/0-90°	■ Rf	60	300	0,8	1,10	2	<b>88702413</b>
PKP-KO 60/400/0-90°	■ Rf	60	400	0,8	1,70	2	<b>88702414</b>
PKP-KO 60/500/0-90°	■ Rf	60	500	0,8	2,40	2	<b>88702415</b>
PKP-KO 60/600/0-90°	■ Rf	60	600	0,8	3,20	2	<b>88702416</b>

ITEM	MATERIAL	H (mm)	A (mm)	D (mm)	KG/PC.	PACKAGE	PROD. CODE
PKP-KO 60/50/0-90°	■ FeZn-H	60	50	0,8	0,18	2	<b>88706810</b>
PKP-KO 60/100/0-90°	■ FeZn-H	60	100	0,8	0,39	2	<b>88706811</b>
PKP-KO 60/150/0-90°	■ FeZn-H	60	150	0,8	0,53	2	<b>88706817</b>
PKP-KO 60/200/0-90°	■ FeZn-H	60	200	0,8	0,66	2	<b>88706812</b>
PKP-KO 60/300/0-90°	■ FeZn-H	60	300	0,8	1,21	2	<b>88706813</b>
PKP-KO 60/400/0-90°	■ FeZn-H	60	400	0,8	1,87	2	<b>88706814</b>
PKP-KO 60/500/0-90°	■ FeZn-H	60	500	0,8	2,64	2	<b>88706815</b>
PKP-KO 60/600/0-90°	■ FeZn-H	60	600	0,8	3,52	2	<b>88706816</b>

ITEM	MATERIAL	H (mm)	A (mm)	D (mm)	KG/PC.	PACKAGE	PROD. CODE
PKP-KO 60/50/0-90°	■ Rf*H4	60	50	0,8	0,16	2	<b>88717720*</b>
PKP-KO 60/100/0-90°	■ Rf*H4	60	100	0,8	0,35	2	<b>88717721*</b>
PKP-KO 60/150/0-90°	■ Rf*H4	60	150	0,8	0,48	2	<b>88717727*</b>
PKP-KO 60/200/0-90°	■ Rf*H4	60	200	0,8	0,60	2	<b>88717722*</b>
PKP-KO 60/300/0-90°	■ Rf*H4	60	300	0,8	1,10	2	<b>88717723*</b>
PKP-KO 60/400/0-90°	■ Rf*H4	60	400	0,8	1,70	2	<b>88717724*</b>
PKP-KO 60/500/0-90°	■ Rf*H4	60	500	0,8	2,40	2	<b>88717725*</b>
PKP-KO 60/600/0-90°	■ Rf*H4	60	600	0,8	3,20	2	<b>88717726*</b>

ITEM	MATERIAL	H (mm)	A (mm)	D (mm)	KG/PC.	PACKAGE	PROD. CODE
PKP-KO 60/50/0-90°	■ FeZn-PVC	60	50	0,8	0,18	2	<b>88703510*</b>
PKP-KO 60/100/0-90°	■ FeZn-PVC	60	100	0,8	0,39	2	<b>88703511*</b>
PKP-KO 60/150/0-90°	■ FeZn-PVC	60	150	0,8	0,53	2	<b>88703517*</b>
PKP-KO 60/200/0-90°	■ FeZn-PVC	60	200	0,8	0,66	2	<b>88703512*</b>
PKP-KO 60/300/0-90°	■ FeZn-PVC	60	300	0,8	1,21	2	<b>88703513*</b>
PKP-KO 60/400/0-90°	■ FeZn-PVC	60	400	0,8	1,87	2	<b>88703514*</b>
PKP-KO 60/500/0-90°	■ FeZn-PVC	60	500	0,8	2,64	2	<b>88703515*</b>
PKP-KO 60/600/0-90°	■ FeZn-PVC	60	600	0,8	3,52	2	<b>88703516*</b>

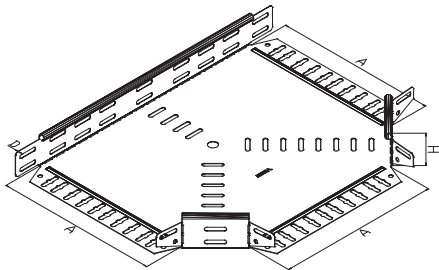
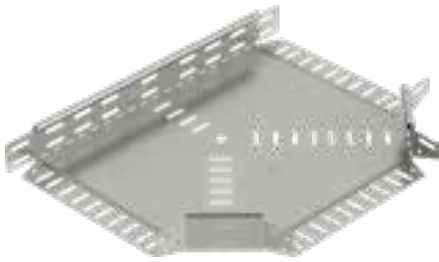


\* upon request

# >> Cable trays KP 60

## PKP-SO 60/- Side branch

The mounting is carried out with **PPKP M6x12 (8x)** connection bolts and **PPKP M6 (8x)** flange nuts.



ITEM	MATERIAL	H (mm)	A (mm)	D (mm)	KG/PC.	PACKAGE	PROD. CODE
PKP-SO 60/50	■ FeZn	60	50	0,8	0,33	2	<b>88701187</b>
PKP-SO 60/100	■ FeZn	60	100	0,8	0,50	2	<b>88701141</b>
PKP-SO 60/200	■ FeZn	60	200	0,8	0,90	2	<b>88701142</b>
PKP-SO 60/300	■ FeZn	60	300	0,8	1,45	2	<b>88701143</b>
PKP-SO 60/400	■ FeZn	60	400	0,8	2,10	2	<b>88701144</b>
PKP-SO 60/500	■ FeZn	60	500	0,8	3,00	2	<b>88701145</b>
PKP-SO 60/600	■ FeZn	60	600	0,8	4,50	2	<b>88701185</b>

ITEM	MATERIAL	H (mm)	A (mm)	D (mm)	KG/PC.	PACKAGE	PROD. CODE
PKP-SO 60/50	■ Rf	60	50	0,8	0,33	2	<b>88702287</b>
PKP-SO 60/100	■ Rf	60	100	0,8	0,50	2	<b>88702241</b>
PKP-SO 60/200	■ Rf	60	200	0,8	0,90	2	<b>88702242</b>
PKP-SO 60/300	■ Rf	60	300	0,8	1,45	2	<b>88702243</b>
PKP-SO 60/400	■ Rf	60	400	0,8	2,10	2	<b>88702244</b>
PKP-SO 60/500	■ Rf	60	500	0,8	3,00	2	<b>88702245</b>
PKP-SO 60/600	■ Rf	60	600	0,8	4,50	2	<b>88702285</b>

ITEM	MATERIAL	H (mm)	A (mm)	D (mm)	KG/PC.	PACKAGE	PROD. CODE
PKP-SO 60/50	■ FeZn-H	60	50	0,8	0,36	2	<b>88706687</b>
PKP-SO 60/100	■ FeZn-H	60	100	0,8	0,55	2	<b>88706641</b>
PKP-SO 60/200	■ FeZn-H	60	200	0,8	0,98	2	<b>88706642</b>
PKP-SO 60/300	■ FeZn-H	60	300	0,8	1,60	2	<b>88706643</b>
PKP-SO 60/400	■ FeZn-H	60	400	0,8	2,31	2	<b>88706644</b>
PKP-SO 60/500	■ FeZn-H	60	500	0,8	3,30	2	<b>88706645</b>
PKP-SO 60/600	■ FeZn-H	60	600	0,8	4,95	2	<b>88706646</b>

ITEM	MATERIAL	H (mm)	A (mm)	D (mm)	KG/PC.	PACKAGE	PROD. CODE
PKP-SO 60/50	■ Rf*H4	60	50	0,8	0,33	2	<b>88704487*</b>
PKP-SO 60/100	■ Rf*H4	60	100	0,8	0,50	2	<b>88704441*</b>
PKP-SO 60/200	■ Rf*H4	60	200	0,8	0,89	2	<b>88704442*</b>
PKP-SO 60/300	■ Rf*H4	60	300	0,8	1,45	2	<b>88704443*</b>
PKP-SO 60/400	■ Rf*H4	60	400	0,8	2,10	2	<b>88704444*</b>
PKP-SO 60/500	■ Rf*H4	60	500	0,8	3,00	2	<b>88704445*</b>
PKP-SO 60/600	■ Rf*H4	60	600	0,8	4,50	2	<b>88704485*</b>

ITEM	MATERIAL	H (mm)	A (mm)	D (mm)	KG/PC.	PACKAGE	PROD. CODE
PKP-SO 60/50	■ FeZn-PVC	60	50	0,8	0,36	2	<b>88703387*</b>
PKP-SO 60/100	■ FeZn-PVC	60	100	0,8	0,54	2	<b>88703341*</b>
PKP-SO 60/200	■ FeZn-PVC	60	200	0,8	0,98	2	<b>88703342*</b>
PKP-SO 60/300	■ FeZn-PVC	60	300	0,8	1,59	2	<b>88703343*</b>
PKP-SO 60/400	■ FeZn-PVC	60	400	0,8	2,31	2	<b>88703344*</b>
PKP-SO 60/500	■ FeZn-PVC	60	500	0,8	3,30	2	<b>88703345*</b>
PKP-SO 60/600	■ FeZn-PVC	60	600	0,8	4,95	2	<b>88703385*</b>

\* upon request

# >> Cable trays KP 60

## PKP-SOP Side branch cover

Attachment by click system.

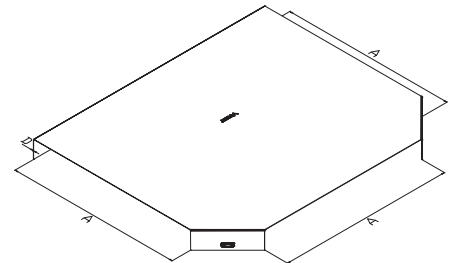
ITEM	MATERIAL	A (mm)	D (mm)	KG/PC.	PACKAGE	PROD. CODE
PKP-SOP 50	■ FeZn	50	0,6	0,20	2	<b>88701229</b>
PKP-SOP 100	■ FeZn	100	0,6	0,25	2	<b>88701146</b>
PKP-SOP 200	■ FeZn	200	0,6	0,66	2	<b>88701147</b>
PKP-SOP 300	■ FeZn	300	0,6	0,90	2	<b>88701148</b>
PKP-SOP 400	■ FeZn	400	0,6	1,38	2	<b>88701149</b>
PKP-SOP 500	■ FeZn	500	0,6	1,92	2	<b>88701150</b>
PKP-SOP 600	■ FeZn	600	0,6	2,47	2	<b>88701230</b>

ITEM	MATERIAL	A (mm)	D (mm)	KG/PC.	PACKAGE	PROD. CODE
PKP-SOP 50	■ Rf	50	0,6	0,20	2	<b>88702328</b>
PKP-SOP 100	■ Rf	100	0,6	0,25	2	<b>88702246</b>
PKP-SOP 200	■ Rf	200	0,6	0,66	2	<b>88702247</b>
PKP-SOP 300	■ Rf	300	0,6	0,90	2	<b>88702248</b>
PKP-SOP 400	■ Rf	400	0,6	1,38	2	<b>88702249</b>
PKP-SOP 500	■ Rf	500	0,6	1,92	2	<b>88702250</b>
PKP-SOP 600	■ Rf	600	0,6	2,47	2	<b>88702329</b>

ITEM	MATERIAL	A (mm)	D (mm)	KG/PC.	PACKAGE	PROD. CODE
PKP-SOP 50	■ FeZn-H	50	0,8	0,23	2	<b>88706760</b>
PKP-SOP 100	■ FeZn-H	100	0,8	0,31	2	<b>88706761</b>
PKP-SOP 200	■ FeZn-H	200	0,8	0,76	2	<b>88706762</b>
PKP-SOP 300	■ FeZn-H	300	0,8	1,05	2	<b>88706763</b>
PKP-SOP 400	■ FeZn-H	400	0,8	1,59	2	<b>88706764</b>
PKP-SOP 500	■ FeZn-H	500	0,8	2,22	2	<b>88706765</b>
PKP-SOP 600	■ FeZn-H	600	0,8	2,85	2	<b>88706766</b>

ITEM	MATERIAL	A (mm)	D (mm)	KG/PC.	PACKAGE	PROD. CODE
PKP-SOP 50	■ Rf*H4	50	0,6	0,20	2	<b>88704493*</b>
PKP-SOP 100	■ Rf*H4	100	0,6	0,25	2	<b>88704446*</b>
PKP-SOP 200	■ Rf*H4	200	0,6	0,66	2	<b>88704447*</b>
PKP-SOP 300	■ Rf*H4	300	0,6	0,90	2	<b>88704448*</b>
PKP-SOP 400	■ Rf*H4	400	0,6	1,38	2	<b>88704449*</b>
PKP-SOP 500	■ Rf*H4	500	0,6	1,92	2	<b>88704450*</b>
PKP-SOP 600	■ Rf*H4	600	0,6	2,47	2	<b>88704493*</b>

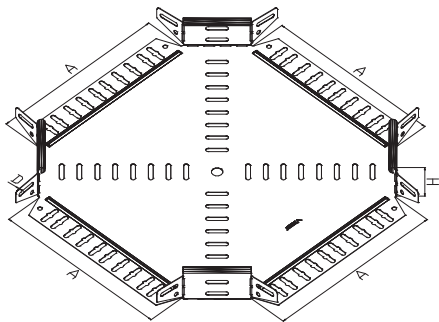
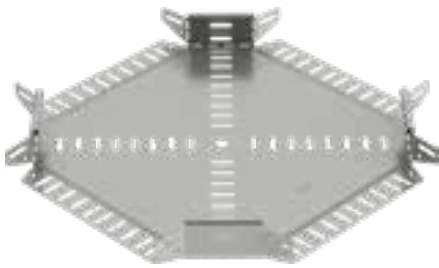
ITEM	MATERIAL	A (mm)	D (mm)	KG/PC.	PACKAGE	PROD. CODE
PKP-SOP 50	■ FeZn-PVC	50	0,6	0,22	2	<b>88703428*</b>
PKP-SOP 100	■ FeZn-PVC	100	0,6	0,28	2	<b>88703346*</b>
PKP-SOP 200	■ FeZn-PVC	200	0,6	0,72	2	<b>88703347*</b>
PKP-SOP 300	■ FeZn-PVC	300	0,6	1,00	2	<b>88703348*</b>
PKP-SOP 400	■ FeZn-PVC	400	0,6	1,52	2	<b>88703349*</b>
PKP-SOP 500	■ FeZn-PVC	500	0,6	2,11	2	<b>88703350*</b>
PKP-SOP 600	■ FeZn-PVC	600	0,6	2,72	2	<b>88703429*</b>



## >> Cable trays KP 60

### PKP-KR 60/- Cross-over

The mounting is carried out with **PPKP M6x12** (8x) connection bolts and **PPKP M6** (8x) flange nuts.



ITEM	MATERIAL	H (mm)	A (mm)	D (mm)	KG/PC.	PACKAGE	PROD. CODE
PKP-KR 60/50	■ FeZn	60	50	0,8	0,50	2	<b>88701231</b>
PKP-KR 60/100	■ FeZn	60	100	0,8	0,59	2	<b>88701151</b>
PKP-KR 60/200	■ FeZn	60	200	0,8	1,02	2	<b>88701152</b>
PKP-KR 60/300	■ FeZn	60	300	0,8	1,59	2	<b>88701153</b>
PKP-KR 60/400	■ FeZn	60	400	0,8	2,22	2	<b>88701154</b>
PKP-KR 60/500	■ FeZn	60	500	0,8	3,16	2	<b>88701155</b>
PKP-KR 60/600	■ FeZn	60	600	0,8	4,80	2	<b>88701222</b>

ITEM	MATERIAL	H (mm)	A (mm)	D (mm)	KG/PC.	PACKAGE	PROD. CODE
PKP-KR 60/50	■ Rf	60	50	0,8	0,50	2	<b>88702330</b>
PKP-KR 60/100	■ Rf	60	100	0,8	0,59	2	<b>88702251</b>
PKP-KR 60/200	■ Rf	60	200	0,8	1,02	2	<b>88702252</b>
PKP-KR 60/300	■ Rf	60	300	0,8	1,59	2	<b>88702253</b>
PKP-KR 60/400	■ Rf	60	400	0,8	2,22	2	<b>88702254</b>
PKP-KR 60/500	■ Rf	60	500	0,8	3,16	2	<b>88702255</b>
PKP-KR 60/600	■ Rf	60	600	0,8	4,80	2	<b>88702331</b>

ITEM	MATERIAL	H (mm)	A (mm)	D (mm)	KG/PC.	PACKAGE	PROD. CODE
PKP-KR 60/50	■ FeZn-H	60	50	0,8	0,55	2	<b>88706650</b>
PKP-KR 60/100	■ FeZn-H	60	100	0,8	0,65	2	<b>88706651</b>
PKP-KR 60/200	■ FeZn-H	60	200	0,8	1,12	2	<b>88706652</b>
PKP-KR 60/300	■ FeZn-H	60	300	0,8	1,75	2	<b>88706653</b>
PKP-KR 60/400	■ FeZn-H	60	400	0,8	2,44	2	<b>88706654</b>
PKP-KR 60/500	■ FeZn-H	60	500	0,8	3,48	2	<b>88706655</b>
PKP-KR 60/600	■ FeZn-H	60	600	0,8	5,28	2	<b>88706656</b>

ITEM	MATERIAL	H (mm)	A (mm)	D (mm)	KG/PC.	PACKAGE	PROD. CODE
PKP-KR 60/50	■ Rf*H4	60	50	0,8	0,50	2	*
PKP-KR 60/100	■ Rf*H4	60	100	0,8	0,59	2	<b>88704451*</b>
PKP-KR 60/200	■ Rf*H4	60	200	0,8	1,02	2	<b>88704452*</b>
PKP-KR 60/300	■ Rf*H4	60	300	0,8	1,59	2	<b>88704453*</b>
PKP-KR 60/400	■ Rf*H4	60	400	0,8	2,22	2	<b>88704454*</b>
PKP-KR 60/500	■ Rf*H4	60	500	0,8	3,16	2	<b>88704455*</b>
PKP-KR 60/600	■ Rf*H4	60	600	0,8	4,80	2	*

ITEM	MATERIAL	H (mm)	A (mm)	D (mm)	KG/PC.	PACKAGE	PROD. CODE
PKP-KR 60/50	■ FeZn-PVC	60	50	0,8	0,55	2	*
PKP-KR 60/100	■ FeZn-PVC	60	100	0,8	0,65	2	<b>88703351*</b>
PKP-KR 60/200	■ FeZn-PVC	60	200	0,8	1,12	2	<b>88703352*</b>
PKP-KR 60/300	■ FeZn-PVC	60	300	0,8	1,75	2	<b>88703353*</b>
PKP-KR 60/400	■ FeZn-PVC	60	400	0,8	2,44	2	<b>88703354*</b>
PKP-KR 60/500	■ FeZn-PVC	60	500	0,8	3,48	2	<b>88703355*</b>
PKP-KR 60/600	■ FeZn-PVC	60	600	0,8	5,28	2	*

\* upon request



## >> Cable trays KP 60

### PKP-KRP Cross-over cover

Attachment by click system.

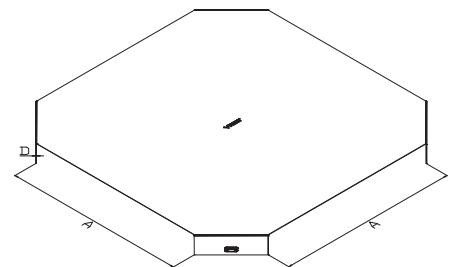
ITEM	MATERIAL	A (mm)	D (mm)	KG/PC.	PACKAGE	PROD. CODE
PKP-KRP 50	■ FeZn	50	0,6	0,22	2	<b>88701232</b>
PKP-KRP 100	■ FeZn	100	0,6	0,30	2	<b>88701156</b>
PKP-KRP 200	■ FeZn	200	0,6	0,75	2	<b>88701157</b>
PKP-KRP 300	■ FeZn	300	0,6	0,93	2	<b>88701158</b>
PKP-KRP 400	■ FeZn	400	0,6	1,38	2	<b>88701159</b>
PKP-KRP 500	■ FeZn	500	0,6	2,49	2	<b>88701160</b>
PKP-KRP 600	■ FeZn	600	0,6	2,90	2	<b>88701233</b>

ITEM	MATERIAL	A (mm)	D (mm)	KG/PC.	PACKAGE	PROD. CODE
PKP-KRP 50	■ Rf	50	0,6	0,22	2	<b>88702332</b>
PKP-KRP 100	■ Rf	100	0,6	0,30	2	<b>88702256</b>
PKP-KRP 200	■ Rf	200	0,6	0,75	2	<b>88702257</b>
PKP-KRP 300	■ Rf	300	0,6	0,93	2	<b>88702258</b>
PKP-KRP 400	■ Rf	400	0,6	1,38	2	<b>88702259</b>
PKP-KRP 500	■ Rf	500	0,6	2,49	2	<b>88702260</b>
PKP-KRP 600	■ Rf	600	0,6	2,90	2	<b>88702333</b>

ITEM	MATERIAL	A (mm)	D (mm)	KG/PC.	PACKAGE	PROD. CODE
PKP-KRP 50	■ FeZn-H	50	0,8	0,26	2	<b>88706770</b>
PKP-KRP 100	■ FeZn-H	100	0,8	3,44	2	<b>88706771</b>
PKP-KRP 200	■ FeZn-H	200	0,8	0,85	2	<b>88706772</b>
PKP-KRP 300	■ FeZn-H	300	0,8	1,08	2	<b>88706773</b>
PKP-KRP 400	■ FeZn-H	400	0,8	1,59	2	<b>88706774</b>
PKP-KRP 500	■ FeZn-H	500	0,8	2,88	2	<b>88706775</b>
PKP-KRP 600	■ FeZn-H	600	0,8	3,35	2	<b>88706776</b>

ITEM	MATERIAL	A (mm)	D (mm)	KG/PC.	PACKAGE	PROD. CODE
PKP-KRP 50	■ Rf*H4	50	0,6	0,22	2	*
PKP-KRP 100	■ Rf*H4	100	0,6	0,30	2	*
PKP-KRP 200	■ Rf*H4	200	0,6	0,75	2	*
PKP-KRP 300	■ Rf*H4	300	0,6	0,93	2	*
PKP-KRP 400	■ Rf*H4	400	0,6	1,38	2	*
PKP-KRP 500	■ Rf*H4	500	0,6	2,49	2	*
PKP-KRP 600	■ Rf*H4	600	0,6	2,90	2	*

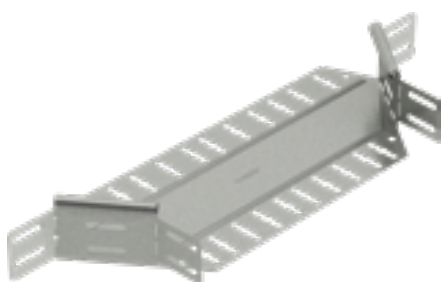
ITEM	MATERIAL	A (mm)	D (mm)	KG/PC.	PACKAGE	PROD. CODE
PKP-KRP 50	■ FeZn-PVC	50	0,6	0,24	2	*
PKP-KRP 100	■ FeZn-PVC	100	0,6	0,33	2	<b>88703356*</b>
PKP-KRP 200	■ FeZn-PVC	200	0,6	0,82	2	<b>88703357*</b>
PKP-KRP 300	■ FeZn-PVC	300	0,6	1,03	2	<b>88703358*</b>
PKP-KRP 400	■ FeZn-PVC	400	0,6	1,52	2	<b>88703359*</b>
PKP-KRP 500	■ FeZn-PVC	500	0,6	2,74	2	<b>88703360*</b>
PKP-KRP 600	■ FeZn-PVC	600	0,6	3,19	2	*



## >> Cable trays KP 60

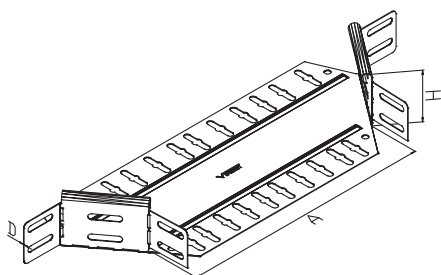
### PKP-OE 60/- Add-on tee

The add-on tee is designed for vertical and horizontal branches. The mounting is carried out with **PPKP M6x12 (8x)** connection bolts and **PPKP M6 (8x)** flange nuts.



ITEM	MATERIAL	H (mm)	A (mm)	D (mm)	KG/PC.	PACKAGE	PROD. CODE
PKP-OE 60/50	■ FeZn	60	50	0,8	0,18	2	<b>88701188</b>
PKP-OE 60/200	■ FeZn	60	200	0,8	0,33	2	<b>88701174</b>
PKP-OE 60/300	■ FeZn	60	300	0,8	0,41	2	<b>88701175</b>
PKP-OE 60/400	■ FeZn	60	400	0,8	0,50	2	<b>88701176</b>
PKP-OE 60/500	■ FeZn	60	500	0,8	0,60	2	<b>88701182</b>
PKP-OE 60/600	■ FeZn	60	600	0,8	0,70	2	<b>88701189</b>

ITEM	MATERIAL	H (mm)	A (mm)	D (mm)	KG/PC.	PACKAGE	PROD. CODE
PKP-OE 60/50	■ Rf	60	50	0,8	0,18	2	<b>88702288</b>
PKP-OE 60/100	■ Rf	60	100	0,8	0,24	2	<b>88702273</b>
PKP-OE 60/200	■ Rf	60	200	0,8	0,33	2	<b>88702274</b>
PKP-OE 60/300	■ Rf	60	300	0,8	0,41	2	<b>88702275</b>
PKP-OE 60/400	■ Rf	60	400	0,8	0,50	2	<b>88702276</b>
PKP-OE 60/500	■ Rf	60	500	0,8	0,60	2	<b>88702282</b>
PKP-OE 60/600	■ Rf	60	600	0,8	0,70	2	<b>88702289</b>



ITEM	MATERIAL	H (mm)	A (mm)	D (mm)	KG/PC.	PACKAGE	PROD. CODE
PKP-OE 60/50	■ FeZn-H	60	50	0,8	0,20	2	<b>88706688</b>
PKP-OE 60/100	■ FeZn-H	60	100	0,8	0,26	2	<b>88706673</b>
PKP-OE 60/200	■ FeZn-H	60	200	0,8	0,37	2	<b>88706674</b>
PKP-OE 60/300	■ FeZn-H	60	300	0,8	0,48	2	<b>88706675</b>
PKP-OE 60/400	■ FeZn-H	60	400	0,8	0,58	2	<b>88706676</b>
PKP-OE 60/500	■ FeZn-H	60	500	0,8	0,68	2	<b>88706682</b>
PKP-OE 60/600	■ FeZn-H	60	600	0,8	0,78	2	<b>88706689</b>

ITEM	MATERIAL	H (mm)	A (mm)	D (mm)	KG/PC.	PACKAGE	PROD. CODE
PKP-OE 60/50	■ Rf*H4	60	50	0,8	0,18	2	<b>88704488*</b>
PKP-OE 60/100	■ Rf*H4	60	100	0,8	0,24	2	<b>88704473*</b>
PKP-OE 60/200	■ Rf*H4	60	200	0,8	0,33	2	<b>88704474*</b>
PKP-OE 60/300	■ Rf*H4	60	300	0,8	0,41	2	<b>88704475*</b>
PKP-OE 60/400	■ Rf*H4	60	400	0,8	0,50	2	<b>88704476*</b>
PKP-OE 60/500	■ Rf*H4	60	500	0,8	0,60	2	<b>88704482*</b>
PKP-OE 60/600	■ Rf*H4	60	600	0,8	0,70	2	<b>88704489*</b>

ITEM	MATERIAL	H (mm)	A (mm)	D (mm)	KG/PC.	PACKAGE	PROD. CODE
PKP-OE 60/50	■ FeZn-PVC	60	50	0,8	0,20	2	<b>88703388*</b>
PKP-OE 60/100	■ FeZn-PVC	60	100	0,8	0,26	2	<b>88703373*</b>
PKP-OE 60/200	■ FeZn-PVC	60	200	0,8	0,37	2	<b>88703374*</b>
PKP-OE 60/300	■ FeZn-PVC	60	300	0,8	0,48	2	<b>88703375*</b>
PKP-OE 60/400	■ FeZn-PVC	60	400	0,8	0,58	2	<b>88703376*</b>
PKP-OE 60/500	■ FeZn-PVC	60	500	0,8	0,68	2	<b>88703382*</b>
PKP-OE 60/600	■ FeZn-PVC	60	600	0,8	0,78	2	<b>88703389*</b>

\* upon request



## >> Cable trays KP 60

### PKP-OEP Add-on tee cover

Attachment by click system.

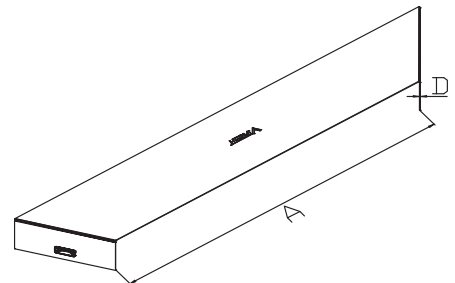
ITEM	MATERIAL	A (mm)	D (mm)	KG/PC.	PACKAGE	PROD. CODE
PKP-OEP 50	■ FeZn	50	0,6	0,06	2	<b>88701238</b>
PKP-OEP 100	■ FeZn	100	0,6	0,10	2	<b>88701177</b>
PKP-OEP 200	■ FeZn	200	0,6	0,11	2	<b>88701178</b>
PKP-OEP 300	■ FeZn	300	0,6	0,14	2	<b>88701179</b>
PKP-OEP 400	■ FeZn	400	0,6	0,17	2	<b>88701180</b>
PKP-OEP 500	■ FeZn	500	0,6	0,19	2	<b>88701183</b>
PKP-OEP 600	■ FeZn	600	0,6	0,23	2	<b>88701239</b>

ITEM	MATERIAL	A (mm)	D (mm)	KG/PC.	PACKAGE	PROD. CODE
PKP-OEP 50	■ Rf	50	0,6	0,06	2	<b>88702338</b>
PKP-OEP 100	■ Rf	100	0,6	0,10	2	<b>88702277</b>
PKP-OEP 200	■ Rf	200	0,6	0,11	2	<b>88702278</b>
PKP-OEP 300	■ Rf	300	0,6	0,14	2	<b>88702279</b>
PKP-OEP 400	■ Rf	400	0,6	0,17	2	<b>88702280</b>
PKP-OEP 500	■ Rf	500	0,6	0,19	2	<b>88702283</b>
PKP-OEP 600	■ Rf	600	0,6	0,23	2	<b>88702339</b>

ITEM	MATERIAL	A (mm)	D (mm)	KG/PC.	PACKAGE	PROD. CODE
PKP-OEP 50	■ FeZn-H	50	0,8	0,07	2	<b>88706783</b>
PKP-OEP 100	■ FeZn-H	100	0,8	0,11	2	<b>88706777</b>
PKP-OEP 200	■ FeZn-H	200	0,8	0,12	2	<b>88706778</b>
PKP-OEP 300	■ FeZn-H	300	0,8	0,16	2	<b>88706779</b>
PKP-OEP 400	■ FeZn-H	400	0,8	0,20	2	<b>88706780</b>
PKP-OEP 500	■ FeZn-H	500	0,8	0,22	2	<b>88706781</b>
PKP-OEP 600	■ FeZn-H	600	0,8	0,26	2	<b>88706782</b>

ITEM	MATERIAL	A (mm)	D (mm)	KG/PC.	PACKAGE	PROD. CODE
PKP-OEP 50	■ Rf*H4	50	0,6	0,06	2	*
PKP-OEP 100	■ Rf*H4	100	0,6	0,10	2	<b>88704477*</b>
PKP-OEP 200	■ Rf*H4	200	0,6	0,11	2	<b>88704478*</b>
PKP-OEP 300	■ Rf*H4	300	0,6	0,14	2	<b>88704479*</b>
PKP-OEP 400	■ Rf*H4	400	0,6	0,17	2	<b>88704480*</b>
PKP-OEP 500	■ Rf*H4	500	0,6	0,19	2	<b>88704483*</b>
PKP-OEP 600	■ Rf*H4	600	0,6	0,23	2	*

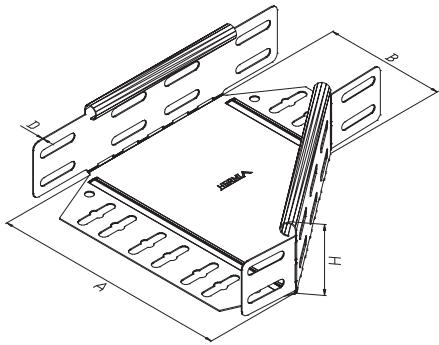
ITEM	MATERIAL	A (mm)	D (mm)	KG/PC.	PACKAGE	PROD. CODE
PKP-OEP 50	■ FeZn-PVC	50	0,6	0,07	2	*
PKP-OEP 100	■ FeZn-PVC	100	0,6	0,10	2	<b>88703377*</b>
PKP-OEP 200	■ FeZn-PVC	200	0,6	0,12	2	<b>88703378*</b>
PKP-OEP 300	■ FeZn-PVC	300	0,6	0,15	2	<b>88703379*</b>
PKP-OEP 400	■ FeZn-PVC	400	0,6	0,19	2	<b>88703380*</b>
PKP-OEP 500	■ FeZn-PVC	500	0,6	0,21	2	<b>88703383*</b>
PKP-OEP 600	■ FeZn-PVC	600	0,6	0,25	2	*



# >> Cable trays KP 60

## PKP-RED 60/- Reduction element - right

The mounting is carried out with **PPKP M6x12 (8x)** connection bolts and **PPKP M6 (8x)** flange nuts.



ITEM	MATERIAL	H (mm)	A/B (mm)	D (mm)	KG/PC.	PACKAGE	PROD. CODE
PKP-RED 60/100/50	■ FeZn	60	100/50	0,8	0,25	2	<b>88701200</b>
PKP-RED 60/200/100	■ FeZn	60	200/100	0,8	0,35	2	<b>88701201</b>
PKP-RED 60/300/200	■ FeZn	60	300/200	0,8	0,48	2	<b>88701202</b>
PKP-RED 60/400/300	■ FeZn	60	400/300	0,8	0,62	2	<b>88701203</b>
PKP-RED 60/500/400	■ FeZn	60	500/400	0,8	0,90	2	<b>88701204</b>
PKP-RED 60/600/500	■ FeZn	60	600/500	0,8	1,05	2	<b>88701205</b>

ITEM	MATERIAL	H (mm)	A/B (mm)	D (mm)	KG/PC.	PACKAGE	PROD. CODE
PKP-RED 60/100/50	■ Rf	60	100/50	0,8	0,25	2	<b>88702300</b>
PKP-RED 60/200/100	■ Rf	60	200/100	0,8	0,35	2	<b>88702301</b>
PKP-RED 60/300/200	■ Rf	60	300/200	0,8	0,48	2	<b>88702302</b>
PKP-RED 60/400/300	■ Rf	60	400/300	0,8	0,62	2	<b>88702303</b>
PKP-RED 60/500/400	■ Rf	60	500/400	0,8	0,90	2	<b>88702304</b>
PKP-RED 60/600/500	■ Rf	60	600/500	0,8	1,05	2	<b>88702305</b>

ITEM	MATERIAL	H (mm)	A/B (mm)	D (mm)	KG/PC.	PACKAGE	PROD. CODE
PKP-RED 60/100/50	■ FeZn-H	60	100/50	0,8	0,28	2	<b>88706600</b>
PKP-RED 60/200/100	■ FeZn-H	60	200/100	0,8	0,39	2	<b>88706601</b>
PKP-RED 60/300/200	■ FeZn-H	60	300/200	0,8	0,55	2	<b>88706602</b>
PKP-RED 60/400/300	■ FeZn-H	60	400/300	0,8	0,68	2	<b>88706603</b>
PKP-RED 60/500/400	■ FeZn-H	60	500/400	0,8	0,99	2	<b>88706604</b>
PKP-RED 60/600/500	■ FeZn-H	60	600/500	0,8	1,16	2	<b>88706605</b>

ITEM	MATERIAL	H (mm)	A/B (mm)	D (mm)	KG/PC.	PACKAGE	PROD. CODE
PKP-RED 60/100/50	■ Rf*H4	60	100/50	0,8	0,25	2	<b>88717740*</b>
PKP-RED 60/200/100	■ Rf*H4	60	200/100	0,8	0,35	2	<b>88717741*</b>
PKP-RED 60/300/200	■ Rf*H4	60	300/200	0,8	0,48	2	<b>88717742*</b>
PKP-RED 60/400/300	■ Rf*H4	60	400/300	0,8	0,62	2	<b>88717743*</b>
PKP-RED 60/500/400	■ Rf*H4	60	500/400	0,8	0,90	2	<b>88717744*</b>
PKP-RED 60/600/500	■ Rf*H4	60	600/500	0,8	1,05	2	<b>88717745*</b>

ITEM	MATERIAL	H (mm)	A/B (mm)	D (mm)	KG/PC.	PACKAGE	PROD. CODE
PKP-RED 60/100/50	■ FeZn-PVC	60	100/50	0,8	0,28	2	*
PKP-RED 60/200/100	■ FeZn-PVC	60	200/100	0,8	0,39	2	*
PKP-RED 60/300/200	■ FeZn-PVC	60	300/200	0,8	0,55	2	*
PKP-RED 60/400/300	■ FeZn-PVC	60	400/300	0,8	0,68	2	*
PKP-RED 60/500/400	■ FeZn-PVC	60	500/400	0,8	0,99	2	*
PKP-RED 60/600/500	■ FeZn-PVC	60	600/500	0,8	1,16	2	*

\* upon request

## >> Cable trays KP 60

### PKP-REDP Right reduction element cover

Attachment by click system.

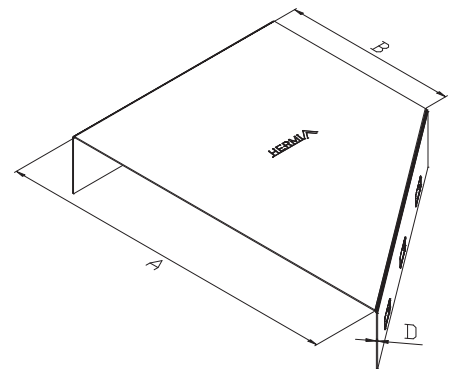
ITEM	MATERIAL	A/B (mm)	D (mm)	KG/PC.	PACKAGE	PROD. CODE
PKP-REDP 100/50	■ FeZn	100/50	0,6	0,11	2	<b>88701240</b>
PKP-REDP 200/100	■ FeZn	200/100	0,6	0,14	2	<b>88701241</b>
PKP-REDP 300/200	■ FeZn	300/200	0,6	0,21	2	<b>88701242</b>
PKP-REDP 400/300	■ FeZn	400/300	0,6	0,26	2	<b>88701243</b>
PKP-REDP 500/400	■ FeZn	500/400	0,6	0,33	2	<b>88701244</b>
PKP-REDP 600/500	■ FeZn	600/500	0,6	0,40	2	<b>88701245</b>

ITEM	MATERIAL	A/B (mm)	D (mm)	KG/PC.	PACKAGE	PROD. CODE
PKP-REDP 100/50	■ Rf	100/50	0,6	0,11	2	<b>88702340</b>
PKP-REDP 200/100	■ Rf	200/100	0,6	0,14	2	<b>88702341</b>
PKP-REDP 300/200	■ Rf	300/200	0,6	0,21	2	<b>88702342</b>
PKP-REDP 400/300	■ Rf	400/300	0,6	0,26	2	<b>88702343</b>
PKP-REDP 500/400	■ Rf	500/400	0,6	0,33	2	<b>88702344</b>
PKP-REDP 600/500	■ Rf	600/500	0,6	0,40	2	<b>88702345</b>

ITEM	MATERIAL	A/B (mm)	D (mm)	KG/PC.	PACKAGE	PROD. CODE
PKP-REDP 100/50	■ FeZn-H	100/50	0,8	0,12	2	<b>88706784</b>
PKP-REDP 200/100	■ FeZn-H	200/100	0,8	0,16	2	<b>88706785</b>
PKP-REDP 300/200	■ FeZn-H	300/200	0,8	0,25	2	<b>88706786</b>
PKP-REDP 400/300	■ FeZn-H	400/300	0,8	0,31	2	<b>88706787</b>
PKP-REDP 500/400	■ FeZn-H	500/400	0,8	0,38	2	<b>88706788</b>
PKP-REDP 600/500	■ FeZn-H	600/500	0,8	0,46	2	<b>88706789</b>

ITEM	MATERIAL	A/B (mm)	D (mm)	KG/PC.	PACKAGE	PROD. CODE
PKP-REDP 100/50	■ Rf*H4	100/50	0,6	0,11	2	<b>88717770*</b>
PKP-REDP 200/100	■ Rf*H4	200/100	0,6	0,14	2	<b>88717771*</b>
PKP-REDP 300/200	■ Rf*H4	300/200	0,6	0,21	2	<b>88717772*</b>
PKP-REDP 400/300	■ Rf*H4	400/300	0,6	0,26	2	<b>88717773*</b>
PKP-REDP 500/400	■ Rf*H4	500/400	0,6	0,33	2	<b>88717774*</b>
PKP-REDP 600/500	■ Rf*H4	600/500	0,6	0,40	2	<b>88717775*</b>

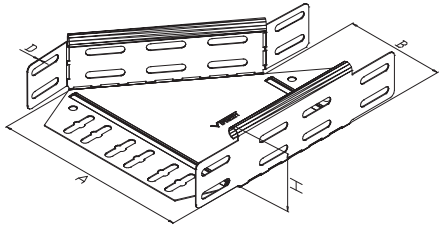
ITEM	MATERIAL	A/B (mm)	D (mm)	KG/PC.	PACKAGE	PROD. CODE
PKP-REDP 100/50	■ FeZn-PVC	100/50	0,6	0,12	2	*
PKP-REDP 200/100	■ FeZn-PVC	200/100	0,6	0,16	2	*
PKP-REDP 300/200	■ FeZn-PVC	300/200	0,6	0,24	2	*
PKP-REDP 400/300	■ FeZn-PVC	400/300	0,6	0,29	2	*
PKP-REDP 500/400	■ FeZn-PVC	500/400	0,6	0,36	2	*
PKP-REDP 600/500	■ FeZn-PVC	600/500	0,6	0,44	2	*



# >> Cable trays KP 60

## PKP-REL 60/- Reduction element - left

The mounting is carried out with **PPKP M6x12 (8x)** connection bolts and **PPKP M6 (8x)** flange nuts.



ITEM	MATERIAL	H (mm)	A/B (mm)	D (mm)	KG/PC.	PACKAGE	PROD. CODE
PKP-REL 60/100/50	■ FeZn	60	100/50	0,8	0,25	2	<b>88701210</b>
PKP-REL 60/200/100	■ FeZn	60	200/100	0,8	0,35	2	<b>88701211</b>
PKP-REL 60/300/200	■ FeZn	60	300/200	0,8	0,48	2	<b>88701212</b>
PKP-REL 60/400/300	■ FeZn	60	400/300	0,8	0,62	2	<b>88701213</b>
PKP-REL 60/500/400	■ FeZn	60	500/400	0,8	0,90	2	<b>88701214</b>
PKP-REL 60/600/500	■ FeZn	60	600/500	0,8	1,05	2	<b>88701215</b>

ITEM	MATERIAL	H (mm)	A/B (mm)	D (mm)	KG/PC.	PACKAGE	PROD. CODE
PKP-REL 60/100/50	■ Rf	60	100/50	0,8	0,25	2	<b>88702310</b>
PKP-REL 60/200/100	■ Rf	60	200/100	0,8	0,35	2	<b>88702311</b>
PKP-REL 60/300/200	■ Rf	60	300/200	0,8	0,48	2	<b>88702312</b>
PKP-REL 60/400/300	■ Rf	60	400/300	0,8	0,62	2	<b>88702313</b>
PKP-REL 60/500/400	■ Rf	60	500/400	0,8	0,90	2	<b>88702314</b>
PKP-REL 60/600/500	■ Rf	60	600/500	0,8	1,05	2	<b>88702315</b>

ITEM	MATERIAL	H (mm)	A/B (mm)	D (mm)	KG/PC.	PACKAGE	PROD. CODE
PKP-REL 60/100/50	■ FeZn-H	60	100/50	0,8	0,28	2	<b>88706610</b>
PKP-REL 60/200/100	■ FeZn-H	60	200/100	0,8	0,39	2	<b>88706611</b>
PKP-REL 60/300/200	■ FeZn-H	60	300/200	0,8	0,53	2	<b>88706612</b>
PKP-REL 60/400/300	■ FeZn-H	60	400/300	0,8	0,68	2	<b>88706613</b>
PKP-REL 60/500/400	■ FeZn-H	60	500/400	0,8	0,99	2	<b>88706614</b>
PKP-REL 60/600/500	■ FeZn-H	60	600/500	0,8	1,16	2	<b>88706615</b>

ITEM	MATERIAL	H (mm)	A/B (mm)	D (mm)	KG/PC.	PACKAGE	PROD. CODE
PKP-REL 60/100/50	■ Rf*H4	60	100/50	0,8	0,25	2	<b>88717730*</b>
PKP-REL 60/200/100	■ Rf*H4	60	200/100	0,8	0,35	2	<b>88717731*</b>
PKP-REL 60/300/200	■ Rf*H4	60	300/200	0,8	0,48	2	<b>88717732*</b>
PKP-REL 60/400/300	■ Rf*H4	60	400/300	0,8	0,62	2	<b>88717733*</b>
PKP-REL 60/500/400	■ Rf*H4	60	500/400	0,8	0,90	2	<b>88717734*</b>
PKP-REL 60/600/500	■ Rf*H4	60	600/500	0,8	1,05	2	<b>88717735*</b>

ITEM	MATERIAL	H (mm)	A/B (mm)	D (mm)	KG/PC.	PACKAGE	PROD. CODE
PKP-REL 60/100/50	■ FeZn-PVC	60	100/50	0,8	0,28	2	*
PKP-REL 60/200/100	■ FeZn-PVC	60	200/100	0,8	0,39	2	*
PKP-REL 60/300/200	■ FeZn-PVC	60	300/200	0,8	0,53	2	*
PKP-REL 60/400/300	■ FeZn-PVC	60	400/300	0,8	0,68	2	*
PKP-REL 60/500/400	■ FeZn-PVC	60	500/400	0,8	0,99	2	*
PKP-REL 60/600/500	■ FeZn-PVC	60	600/500	0,8	1,16	2	*

\* upon request

## >> Cable trays KP 60

### PKP-RELP Left reduction element cover

Attachment by click system.

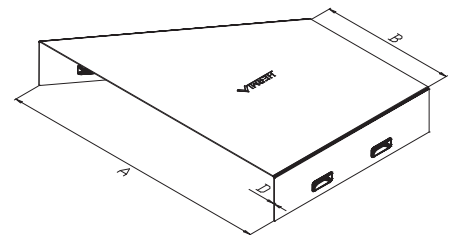
ITEM	MATERIAL	A/B (mm)	D (mm)	KG/PC.	PACKAGE	PROD. CODE
PKP-RELP 100/50	■ FeZn	100/50	0,6	0,11	2	<b>88701250</b>
PKP-RELP 200/100	■ FeZn	200/100	0,6	0,15	2	<b>88701251</b>
PKP-RELP 300/200	■ FeZn	300/200	0,6	0,21	2	<b>88701252</b>
PKP-RELP 400/300	■ FeZn	400/300	0,6	0,27	2	<b>88701253</b>
PKP-RELP 500/400	■ FeZn	500/400	0,6	0,33	2	<b>88701254</b>
PKP-RELP 600/500	■ FeZn	600/500	0,6	0,40	2	<b>88701255</b>

ITEM	MATERIAL	A/B (mm)	D (mm)	KG/PC.	PACKAGE	PROD. CODE
PKP-RELP 100/50	■ Rf	100/50	0,6	0,11	2	<b>88702350</b>
PKP-RELP 200/100	■ Rf	200/100	0,6	0,15	2	<b>88702351</b>
PKP-RELP 300/200	■ Rf	300/200	0,6	0,21	2	<b>88702352</b>
PKP-RELP 400/300	■ Rf	400/300	0,6	0,27	2	<b>88702353</b>
PKP-RELP 500/400	■ Rf	500/400	0,6	0,33	2	<b>88702354</b>
PKP-RELP 600/500	■ Rf	600/500	0,6	0,40	2	<b>88702355</b>

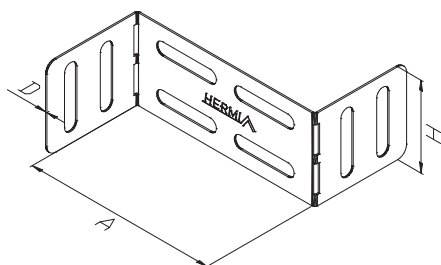
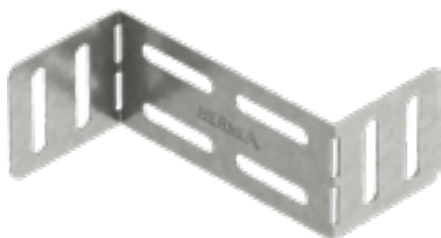
ITEM	MATERIAL	A/B (mm)	D (mm)	KG/PC.	PACKAGE	PROD. CODE
PKP-RELP 100/50	■ FeZn-H	100/50	0,8	0,12	2	<b>88706790</b>
PKP-RELP 200/100	■ FeZn-H	200/100	0,8	0,16	2	<b>88706791</b>
PKP-RELP 300/200	■ FeZn-H	300/200	0,8	0,25	2	<b>88706792</b>
PKP-RELP 400/300	■ FeZn-H	400/300	0,8	0,31	2	<b>88706793</b>
PKP-RELP 500/400	■ FeZn-H	500/400	0,8	0,38	2	<b>88706794</b>
PKP-RELP 600/500	■ FeZn-H	600/500	0,8	0,46	2	<b>88706795</b>

ITEM	MATERIAL	A/B (mm)	D (mm)	KG/PC.	PACKAGE	PROD. CODE
PKP-RELP 100/50	■ Rf*H4	100/50	0,6	0,11	2	<b>88717750*</b>
PKP-RELP 200/100	■ Rf*H4	200/100	0,6	0,15	2	<b>88717751*</b>
PKP-RELP 300/200	■ Rf*H4	300/200	0,6	0,21	2	<b>88717752*</b>
PKP-RELP 400/300	■ Rf*H4	400/300	0,6	0,27	2	<b>88717753*</b>
PKP-RELP 500/400	■ Rf*H4	500/400	0,6	0,33	2	<b>88717754*</b>
PKP-RELP 600/500	■ Rf*H4	600/500	0,6	0,40	2	<b>88717755*</b>

ITEM	MATERIAL	A/B (mm)	D (mm)	KG/PC.	PACKAGE	PROD. CODE
PKP-RELP 100/50	■ FeZn-PVC	100/50	0,6	0,12	2	*
PKP-RELP 200/100	■ FeZn-PVC	200/100	0,6	0,16	2	*
PKP-RELP 300/200	■ FeZn-PVC	300/200	0,6	0,24	2	*
PKP-RELP 400/300	■ FeZn-PVC	400/300	0,6	0,29	2	*
PKP-RELP 500/400	■ FeZn-PVC	500/400	0,6	0,36	2	*
PKP-RELP 600/500	■ FeZn-PVC	600/500	0,6	0,44	2	*



## >> Cable trays KP 60



### PKP-ZRE 60/- »Z« reduction element

With **PKP-ZRE 60/AB/50** reduction element we reduce the width for A/B (mm) = **50 mm** (e.g. from cable tray of **100 mm** of width to **50 mm; 200 mm/150 mm**). With **PKP-ZRE 60/AB/100** reduction element we reduce the width for A/B (mm) = **100 mm** (e.g. from cable tray of 500 mm of width to 400 mm). The mounting is carried out with **PPKP M6x12** (8x) connection bolts and **PPKP M6** (8x) flange nuts.

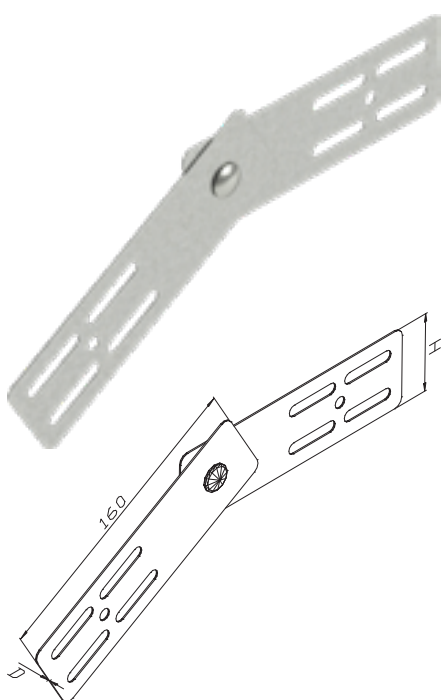
ITEM	MATERIAL	H (mm)	A/B (mm)	D (mm)	KG/PC.	PACKAGE	PROD. CODE
PKP-ZRE 60/AB/50	■ FeZn	60	50	0,8	0,04	10	<b>88701190</b>
PKP-ZRE 60/AB/100	■ FeZn	60	100	0,8	0,05	10	<b>88701191</b>

ITEM	MATERIAL	H (mm)	A/B (mm)	D (mm)	KG/PC.	PACKAGE	PROD. CODE
PKP-ZRE 60/AB/50	■ Rf	60	50	0,8	0,04	10	<b>88702290</b>
PKP-ZRE 60/AB/100	■ Rf	60	100	0,8	0,05	10	<b>88702291</b>

ITEM	MATERIAL	H (mm)	A/B (mm)	D (mm)	KG/PC.	PACKAGE	PROD. CODE
PKP-ZRE 60/AB/50	■ FeZn-H	60	50	0,8	0,04	10	<b>88706700</b>
PKP-ZRE 60/AB/100	■ FeZn-H	60	100	0,8	0,05	10	<b>88706701</b>

ITEM	MATERIAL	H (mm)	A/B (mm)	D (mm)	KG/PC.	PACKAGE	PROD. CODE
PKP-ZRE 60/AB/50	■ Rf*H4	60	50	0,8	0,04	10	<b>88704490*</b>
PKP-ZRE 60/AB/100	■ Rf*H4	60	100	0,8	0,05	10	<b>88704491*</b>

ITEM	MATERIAL	H (mm)	A/B (mm)	D (mm)	KG/PC.	PACKAGE	PROD. CODE
PKP-ZRE 60/AB/50	■ FeZn-PVC	60	50	0,8	0,04	10	<b>88703390*</b>
PKP-ZRE 60/AB/100	■ FeZn-PVC	60	100	0,8	0,05	10	<b>88703391*</b>



### PKP-GS 60 Flexible coupling element

The mounting is carried out with **PPKP M6x12** (8x) connection bolts and **PPKP M6** (8x) flange nuts.

ITEM	MATERIAL	H (mm)	D (mm)	KG/PC.	PACKAGE	PROD. CODE
PKP-GS 60	■ FeZn	60	0,8	0,09	100	<b>88701171</b>
PKP-GS 60	■ Rf	60	0,8	0,09	100	<b>88702271</b>
PKP-GS 60	■ FeZn-H	60	0,8	0,10	100	<b>88706671</b>
PKP-GS 60	■ Rf*H4	60	0,8	0,09	100	<b>88704471*</b>
PKP-GS 60	■ FeZn-PVC	60	0,8	0,10	100	<b>88703371*</b>



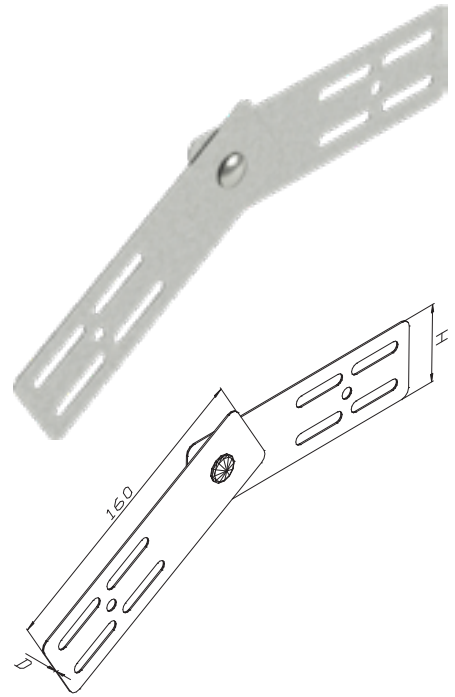


## >> Cable trays KP 60

### PKP-GS 60 Flexible coupling element

The mounting is carried out with **PPKP M6x12** (8x) connection bolts and **PPKP M6** (8x) flange nuts.

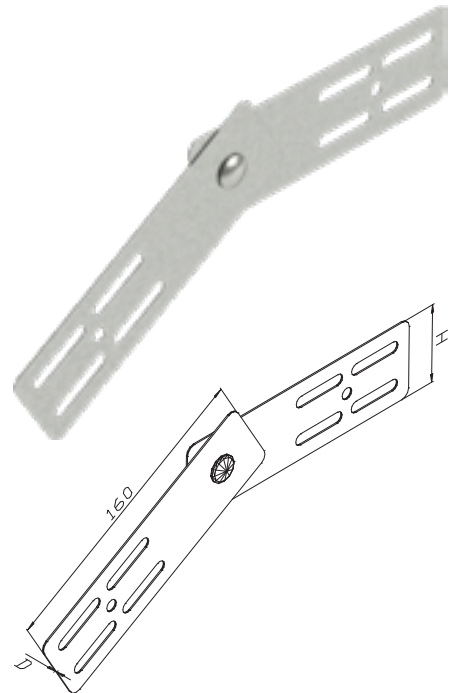
ITEM	MATERIAL	H (mm)	D (mm)	KG/PC.	PACKAGE	PROD. CODE
PKP-GS 60	■ FeZn	60	1,0	0,11	100	<b>88701388</b>
PKP-GS 60	■ Rf	60	1,0	0,11	100	<b>88702488</b>
PKP-GS 60	■ FeZn-H	60	1,0	0,12	100	<b>88718904</b>



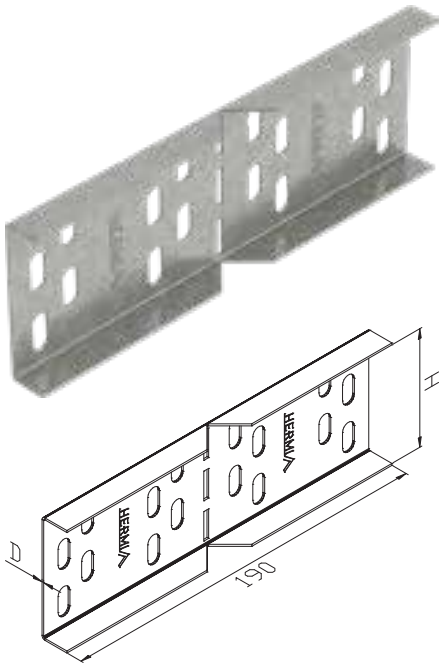
### PKP-GS 60 Flexible coupling element

The mounting is carried out with **PPKP M6x12** (8x) connection bolts and **PPKP M6** (8x) flange nuts.

ITEM	MATERIAL	H (mm)	D (mm)	KG/PC.	PACKAGE	PROD. CODE
PKP-GS 60	■ Rf	60	1,5	0,17	100	<b>88725196</b>
PKP-GS 60	■ FeZn-H	60	1,5	0,19	100	<b>88725195</b>



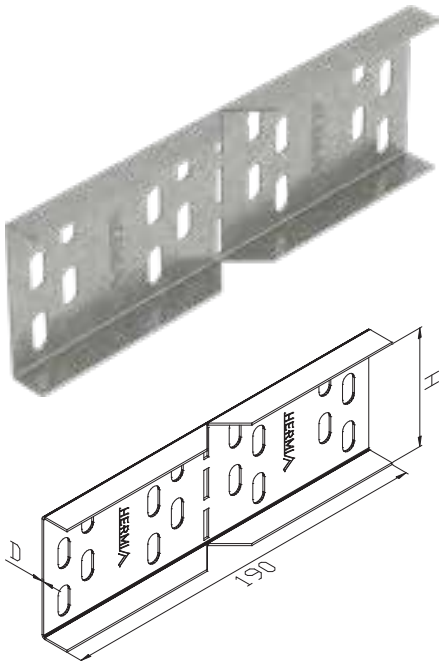
## >> Cable trays KP 60



### PKP-GSH 60 Horizontal flexible joint

The horizontal flexible PKL-GSH joint is designed for joining KP cable trays and is mounted on the outside of the cable tray with **PPKP M6x12** (8x) connection bolts and **PPKP M6** (8x) flange nuts. For joining two cable trays, 2 pcs PKP-GSH 60 are required.

ITEM	MATERIAL	H (mm)	D (mm)	KG/PC.	PACKAGE	PROD. CODE
PKP-GSH 60	■ FeZn	60	1,0	0,12	100	<b>88701391</b>
PKP-GSH 60	■ Rf	60	1,0	0,12	100	<b>88702491</b>
PKP-GSH 60	■ FeZn-H	60	1,0	0,13	100	<b>88718907</b>



### PKP-GSH 60 Horizontal flexible joint

The horizontal flexible PKL-GSH joint is designed for joining KP cable trays and is mounted on the outside of the cable tray with **PPKP M6x12** (8x) connection bolts and **PPKP M6** (8x) flange nuts. For joining two cable trays, 2 pcs PKP-GSH 60 are required.

ITEM	MATERIAL	H (mm)	D (mm)	KG/PC.	PACKAGE	PROD. CODE
PKP-GSH 60	■ FeZn	60	1,5	0,18	100	<b>88701390</b>
PKP-GSH 60	■ Rf	60	1,5	0,18	100	<b>88702490</b>
PKP-GSH 60	■ FeZn-H	60	1,5	0,20	100	<b>88718906</b>

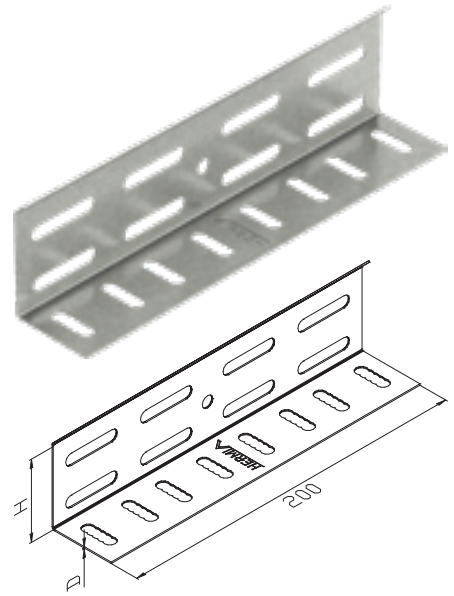


## >> Cable trays KP 60

### PKP-FS 60 Fixed coupling element

The mounting is carried out with **PPKP M6x12** (8x) connection bolts and **PPKP M6** (8x) flange nuts.

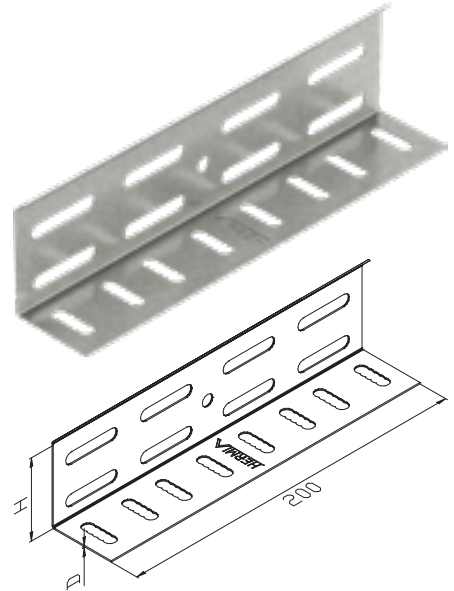
ITEM	MATERIAL	H (mm)	D (mm)	KG/PC.	PACKAGE	PROD. CODE
PKP-FS 60	■ FeZn	60	0,8	0,09	100	<b>88701172</b>
PKP-FS 60	■ Rf	60	0,8	0,09	100	<b>88702272</b>
PKP-FS 60	■ FeZn-H	60	0,8	0,10	100	<b>88706672</b>
PKP-FS 60	■ Rf*H4	60	0,8	0,09	100	<b>88704472*</b>
PKP-FS 60	■ FeZn-PVC	60	0,8	0,10	100	<b>88703372*</b>



### PKP-FS 60 Fixed coupling element

The mounting is carried out with **PPKP M6x12** (8x) connection bolts and **PPKP M6** (8x) flange nuts.

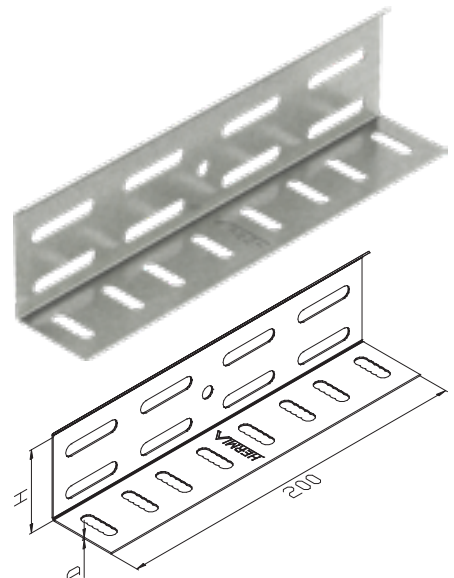
ITEM	MATERIAL	H (mm)	D (mm)	KG/PC.	PACKAGE	PROD. CODE
PKP-FS 60	■ FeZn	60	1,0	0,12	100	<b>88701389</b>
PKP-FS 60	■ Rf	60	1,0	0,12	100	<b>88702489</b>
PKP-FS 60	■ FeZn-H	60	1,0	0,13	100	<b>88718905</b>



### PKP-FS 60 Fixed coupling element

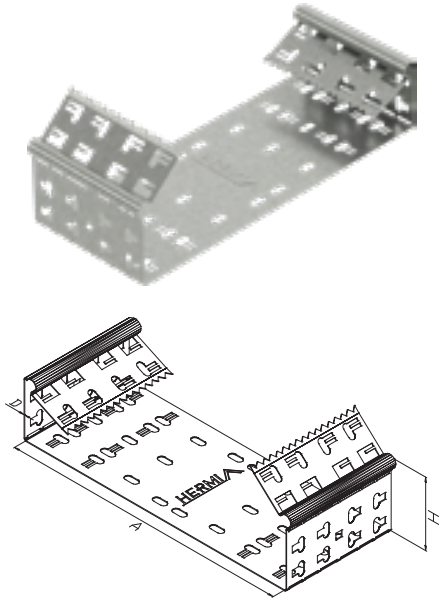
The mounting is carried out with **PPKP M6x12** (8x) connection bolts and **PPKP M6** (8x) flange nuts.

ITEM	MATERIAL	H (mm)	D (mm)	KG/PC.	PACKAGE	PROD. CODE
PKP-FS 60	■ FeZn	60	1,5	0,18	100	<b>88701387</b>
PKP-FS 60	■ Rf	60	1,5	0,18	100	<b>88702487</b>
PKP-FS 60	■ FeZn-H	60	1,5	0,20	100	<b>88706803</b>



\* upon request

## >> Cable trays KP 60

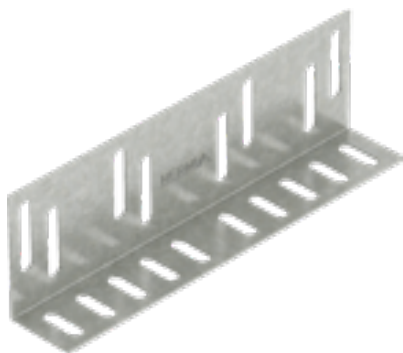


### PKP-FJ 60/- Fast Joint

HERMI® Fast Joint is intended for quicker connection of cable trays without using screws and tools, saving up to 40% of the time. Suitable for joining type-based and cut cable trays. Without additional equipotential connection of cable trays.

ITEM	MATERIAL	H (mm)	A (mm)	D (mm)	KG/PC.	PACKAGE	PROD. CODE
PKP-FJ 60/100	■ FeZn	60	100	0,8	0,23	25	<b>88701451</b>
PKP-FJ 60/150	■ FeZn	60	150	0,8	0,26	25	<b>88701459</b>
PKP-FJ 60/200	■ FeZn	60	200	0,8	0,30	25	<b>88701452</b>
PKP-FJ 60/300	■ FeZn	60	300	0,8	0,37	25	<b>88701453</b>
PKP-FJ 60/400	■ FeZn	60	400	0,8	0,46	10	<b>88701454</b>
PKP-FJ 60/500	■ FeZn	60	500	0,8	0,53	10	<b>88701455</b>
PKP-FJ 60/600	■ FeZn	60	600	0,8	0,61	10	<b>88701456</b>

ITEM	MATERIAL	H (mm)	A (mm)	D (mm)	KG/PC.	PACKAGE	PROD. CODE
PKP-FJ 60/100	■ Rf	60	100	0,8	0,23	25	<b>88702551</b>
PKP-FJ 60/200	■ Rf	60	200	0,8	0,26	25	<b>88702552</b>
PKP-FJ 60/400	■ Rf	60	400	0,8	0,46	10	<b>88702554</b>
PKP-FJ 60/500	■ Rf	60	500	0,8	0,53	10	<b>88702555</b>
PKP-FJ 60/600	■ Rf	60	600	0,8	0,61	10	<b>88702556</b>



### PKP-UFS 60 Universal fixed coupling element

The coupling element is used in all three programs (Cable trays, Mesh cable trays, Cable ladders) in the case of connecting different programs with each other. For making a joint, 2 pcs PKP-UFS 60 are required.

ITEM	MATERIAL	D (mm)	KG/PC.	PACKAGE	PROD. CODE
PKP-UFS 60	■ FeZn	1,0	0,11	75	<b>88701386</b>
PKP-UFS 60	■ Rf	1,0	0,11	75	<b>88702486</b>
PKP-UFS 60	■ FeZn-H	1,0	0,13	75	<b>88706802</b>

# Cable trays KP 100

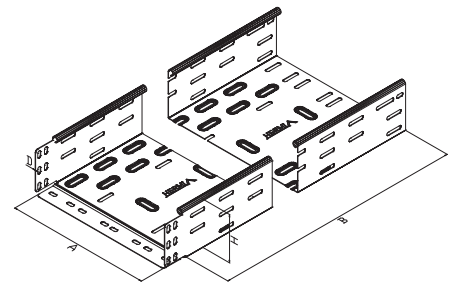
## KP 100/- Cable trays; L= 2000 mm; H= 100 mm; Class: N

Cable trays of **100 mm** in height and of various widths, made of galvanised sheet metal or stainless steel, optionally powder painted in the desired colour. The length of an individual cable tray is **2,0 m**. Cable trays are mounted to the wall or ceiling with the appropriate **NKP** brackets. Joining cable trays together without additional fixing elements is carried out with **PPKP M6x12** (4x-8x) connection bolts and **PPKP M6** (4x-8x) flange nuts.

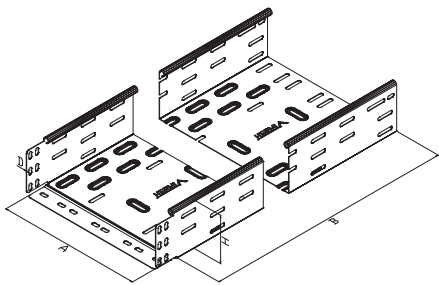
ITEM	MATERIAL	H (mm)	A (mm)	B (mm)	D (mm)	KG/PC.	PACKAGE	PROD. CODE
KP 100/100	■ FeZn	100	100	2000	0,8	3,70	4	<b>88720061</b>
KP 100/200	■ FeZn	100	200	2000	0,8	4,80	4	<b>88700504</b>
KP 100/300	■ FeZn	100	300	2000	0,8	5,90	2	<b>88720063</b>
KP 100/400	■ FeZn	100	400	2000	0,8	7,30	2	<b>88720064</b>
KP 100/500	■ FeZn	100	500	2000	0,8	10,10	2	<b>88700594</b>
KP 100/600	■ FeZn	100	600	2000	0,8	12,90	2	<b>88720066</b>

ITEM	MATERIAL	H (mm)	A (mm)	B (mm)	D (mm)	KG/PC.	PACKAGE	PROD. CODE
KP 100/100	■ Rf	100	100	2000	0,8	3,70	4	<b>88700209</b>
KP 100/200	■ Rf	100	200	2000	0,8	4,80	4	<b>88722062</b>
KP 100/300	■ Rf	100	300	2000	0,8	5,90	2	<b>88722063</b>
KP 100/400	■ Rf	100	400	2000	0,8	7,30	2	<b>88722064</b>
KP 100/500	■ Rf	100	500	2000	0,8	10,10	2	<b>88722065</b>
KP 100/600	■ Rf	100	600	2000	0,8	12,90	2	<b>88722066</b>

ITEM	MATERIAL	H (mm)	A (mm)	B (mm)	D (mm)	KG/PC.	PACKAGE	PROD. CODE
KP 100/100	■ FeZn-H	100	100	2000	0,8	4,10	4	<b>88726121</b>
KP 100/200	■ FeZn-H	100	200	2000	0,8	6,00	4	<b>88726122</b>
KP 100/300	■ FeZn-H	100	300	2000	0,8	6,50	2	<b>88726123</b>
KP 100/400	■ FeZn-H	100	400	2000	0,8	8,00	2	<b>88726124</b>
KP 100/500	■ FeZn-H	100	500	2000	0,8	11,10	2	<b>88726125</b>
KP 100/600	■ FeZn-H	100	600	2000	0,8	14,20	2	<b>88726126</b>



## >> Cable trays KP 100



### KP 100/- Cable trays; L= 2000 mm; H= 100 mm; Class: H

Cable trays of **100 mm** in height and of various widths, made of galvanised sheet metal or stainless steel, optionally powder painted in the desired colour. The length of an individual cable tray is **2,0 m**. Cable trays are mounted to the wall or ceiling with the appropriate **NKP** brackets. Joining cable trays together without additional fixing elements is carried out with **PPKP M6x12 (4x-8x)** connection bolts and **PPKP M6 (4x-8x)** flange nuts.

ITEM	MATERIAL	H (mm)	A (mm)	B (mm)	D (mm)	KG/PC.	PACKAGE	PROD. CODE
KP 100/100	■ FeZn	100	100	2000	1,5	7,20	4	<b>88720111</b>
KP 100/200	■ FeZn	100	200	2000	1,5	9,40	2	<b>88720112</b>
KP 100/300	■ FeZn	100	300	2000	1,5	11,50	2	<b>88720113</b>
KP 100/400	■ FeZn	100	400	2000	1,5	13,70	2	<b>88720114</b>
KP 100/500	■ FeZn	100	500	2000	1,5	15,80	2	<b>88720115</b>
KP 100/600	■ FeZn	100	600	2000	1,5	18,00	2	<b>88720116</b>

ITEM	MATERIAL	H (mm)	A (mm)	B (mm)	D (mm)	KG/PC.	PACKAGE	PROD. CODE
KP 100/100	■ FeZn-H	100	100	2000	1,5	7,90	4	<b>88726111</b>
KP 100/200	■ FeZn-H	100	200	2000	1,5	10,30	2	<b>88726112</b>
KP 100/300	■ FeZn-H	100	300	2000	1,5	12,70	2	<b>88726113</b>
KP 100/400	■ FeZn-H	100	400	2000	1,5	15,00	2	<b>88726114</b>
KP 100/500	■ FeZn-H	100	500	2000	1,5	17,40	2	<b>88726115</b>
KP 100/600	■ FeZn-H	100	600	2000	1,5	19,80	2	<b>88726116</b>

## >> Cable trays KP 100

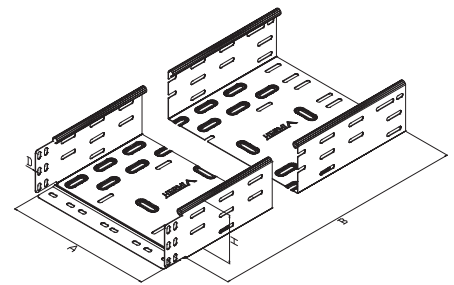
### KP 100/- Cable trays; L= 3000 mm; H= 100 mm; Class: M

Cable trays of **100 mm** in height and of various widths, made of galvanised sheet metal or stainless steel, optionally powder painted in the desired colour. The length of an individual cable tray is **3,0 m**. Cable trays are mounted to the wall or ceiling with the appropriate **NKP** brackets. Joining cable trays together without additional fixing elements is carried out with **PPKP M6x12** (4x-8x) connection bolts and **PPKP M6** (4x-8x) flange nuts.

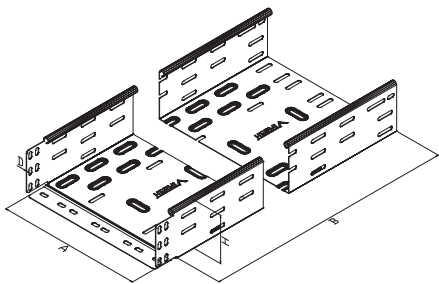
ITEM	MATERIAL	H (mm)	A (mm)	B (mm)	D (mm)	PACKAGE	PROD. CODE
KP 100/100	■ FeZn	100	100	3000	1,0	4	<b>88720051</b>
KP 100/200	■ FeZn	100	200	3000	1,0	2	<b>88720052</b>
KP 100/300	■ FeZn	100	300	3000	1,0	2	<b>88720053</b>
KP 100/400	■ FeZn	100	400	3000	1,0	2	<b>88720054</b>
KP 100/500	■ FeZn	100	500	3000	1,0	2	<b>88720055</b>
KP 100/600	■ FeZn	100	600	3000	1,0	2	<b>88720056</b>

ITEM	MATERIAL	H (mm)	A (mm)	B (mm)	D (mm)	PACKAGE	PROD. CODE
KP 100/100	■ Rf	100	100	3000	1,0	4	<b>88722051</b>
KP 100/200	■ Rf	100	200	3000	1,0	2	<b>88722052</b>
KP 100/300	■ Rf	100	300	3000	1,0	2	<b>88722053</b>
KP 100/400	■ Rf	100	400	3000	1,0	2	<b>88722054</b>
KP 100/500	■ Rf	100	500	3000	1,0	2	<b>88722055</b>
KP 100/600	■ Rf	100	600	3000	1,0	2	<b>88722056</b>

ITEM	MATERIAL	H (mm)	A (mm)	B (mm)	D (mm)	PACKAGE	PROD. CODE
KP 100/100	■ FeZn-H	100	100	3000	1,0	4	<b>88726051</b>
KP 100/200	■ FeZn-H	100	200	3000	1,0	2	<b>88726052</b>
KP 100/300	■ FeZn-H	100	300	3000	1,0	2	<b>88726053</b>
KP 100/400	■ FeZn-H	100	400	3000	1,0	2	<b>88726054</b>
KP 100/500	■ FeZn-H	100	500	3000	1,0	2	<b>88726055</b>
KP 100/600	■ FeZn-H	100	600	3000	1,0	2	<b>88726056</b>



## >> Cable trays KP 100



### KP 100/- Cable trays; L= 3000 mm; H= 100 mm; Class: H

Cable trays of **100 mm** in height and of various widths, made of galvanised sheet metal or stainless steel, optionally powder painted in the desired colour. The length of an individual cable tray is **3,0 m**. Cable trays are mounted to the wall or ceiling with the appropriate **NKP** brackets. Joining cable trays together without additional fixing elements is carried out with **PPKP M6x12** (4x-8x) connection bolts and **PPKP M6** (4x-8x) flange nuts.

ITEM	MATERIAL	H (mm)	A (mm)	B (mm)	D (mm)	PACKAGE	PROD. CODE
KP 100/100	■ FeZn	100	100	3000	1,5	2	<b>88720101</b>
KP 100/200	■ FeZn	100	200	3000	1,5	2	<b>88720102</b>
KP 100/300	■ FeZn	100	300	3000	1,5	2	<b>88720103</b>
KP 100/400	■ FeZn	100	400	3000	1,5	2	<b>88720104</b>
KP 100/500	■ FeZn	100	500	3000	1,5	2	<b>88720105</b>
KP 100/600	■ FeZn	100	600	3000	1,5	2	<b>88720106</b>

ITEM	MATERIAL	H (mm)	A (mm)	B (mm)	D (mm)	PACKAGE	PROD. CODE
KP 100/100	■ Rf	100	100	3000	1,5	2	<b>88722101</b>
KP 100/200	■ Rf	100	200	3000	1,5	2	<b>88722102</b>
KP 100/300	■ Rf	100	300	3000	1,5	2	<b>88722103</b>
KP 100/400	■ Rf	100	400	3000	1,5	2	<b>88722104</b>
KP 100/500	■ Rf	100	500	3000	1,5	2	<b>88722105</b>
KP 100/600	■ Rf	100	600	3000	1,5	2	<b>88722106</b>

ITEM	MATERIAL	H (mm)	A (mm)	B (mm)	D (mm)	PACKAGE	PROD. CODE
KP 100/100	■ FeZn-H	100	100	3000	1,5	2	<b>88726101</b>
KP 100/200	■ FeZn-H	100	200	3000	1,5	2	<b>88726102</b>
KP 100/300	■ FeZn-H	100	300	3000	1,5	2	<b>88726103</b>
KP 100/400	■ FeZn-H	100	400	3000	1,5	2	<b>88726104</b>
KP 100/500	■ FeZn-H	100	500	3000	1,5	2	<b>88726105</b>
KP 100/600	■ FeZn-H	100	600	3000	1,5	2	<b>88726106</b>

\* upon request



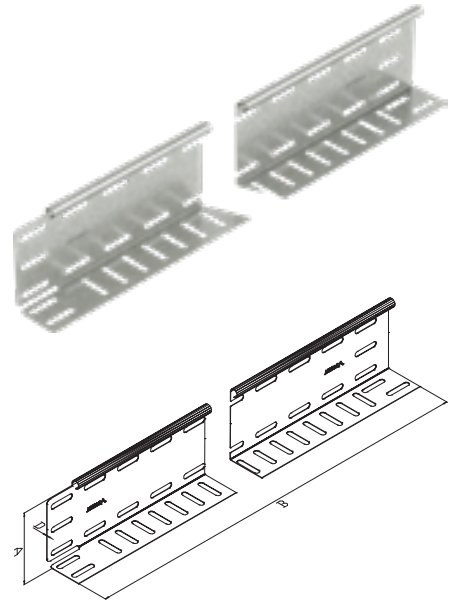
## >> Cable trays KP 100

### KP-PR Cable tray barrier

Cable tray divider for the separation of leads placed in cable trays and the prevention of electromagnetic disturbance. The divider is placed onto the cable tray with **PPKP-M6x12** (3x) connection bolts and **PPKP-M6** (3x) flange nuts.

ITEM	MATERIAL	A (mm)	B (mm)	D (mm)	KG/PC.	PACKAGE	PROD. CODE
KP-PR 100	■ FeZn	100	2000	0,6	1,30	10	<b>88700195</b>
KP-PR 100	■ Rf	100	2000	0,6	1,30	10	<b>88700295</b>
KP-PR 100	■ FeZn-H	100	2000	0,8	1,85	10	<b>88700695</b>

ITEM	MATERIAL	A (mm)	B (mm)	D (mm)	KG/PC.	PACKAGE	PROD. CODE
KP-PR 100	■ FeZn	100	3000	0,6	1,95	10	<b>88700196</b>



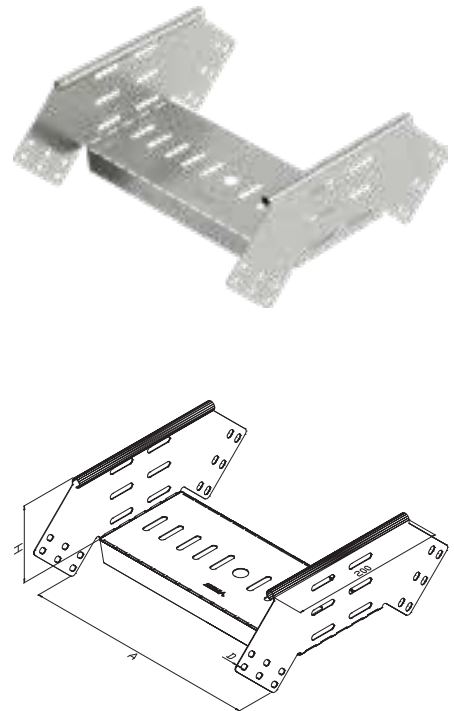
### PKP-ZK 100/- External elbow 90°

The mounting is carried out with **PPKP M6x12** (8x) connection bolts and **PPKP M6** (8x) flange nuts.

ITEM	MATERIAL	H (mm)	A (mm)	D (mm)	PACKAGE	PROD. CODE
PKP-ZK 100/100	■ FeZn	100	100	0,8	2	<b>88701331</b>
PKP-ZK 100/200	■ FeZn	100	200	0,8	2	<b>88701332</b>
PKP-ZK 100/300	■ FeZn	100	300	0,8	2	<b>88701333</b>
PKP-ZK 100/400	■ FeZn	100	400	0,8	2	<b>88701334</b>
PKP-ZK 100/500	■ FeZn	100	500	0,8	2	<b>88701335</b>
PKP-ZK 100/600	■ FeZn	100	600	0,8	2	<b>88701336</b>

ITEM	MATERIAL	H (mm)	A (mm)	D (mm)	PACKAGE	PROD. CODE
PKP-ZK 100/100	■ Rf	100	100	0,8	2	<b>88702431</b>
PKP-ZK 100/200	■ Rf	100	200	0,8	2	<b>88702432</b>
PKP-ZK 100/300	■ Rf	100	300	0,8	2	<b>88702433</b>
PKP-ZK 100/400	■ Rf	100	400	0,8	2	<b>88702434</b>
PKP-ZK 100/500	■ Rf	100	500	0,8	2	<b>88702435</b>
PKP-ZK 100/600	■ Rf	100	600	0,8	2	<b>88702436</b>

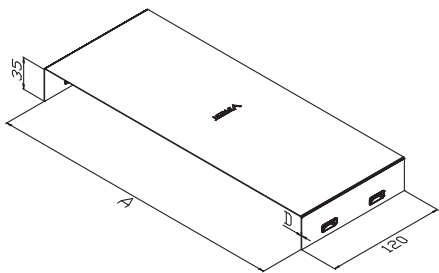
ITEM	MATERIAL	H (mm)	A (mm)	D (mm)	PACKAGE	PROD. CODE
PKP-ZK 100/100	■ FeZn-H	100	100	0,8	2	<b>88706911</b>
PKP-ZK 100/200	■ FeZn-H	100	200	0,8	2	<b>88706912</b>
PKP-ZK 100/300	■ FeZn-H	100	300	0,8	2	<b>88706913</b>
PKP-ZK 100/400	■ FeZn-H	100	400	0,8	2	<b>88706914</b>
PKP-ZK 100/500	■ FeZn-H	100	500	0,8	2	<b>88706915</b>
PKP-ZK 100/600	■ FeZn-H	100	600	0,8	2	<b>88706916</b>



# >> Cable trays KP 100

## PKP-ZKP External elbow cover 90°

Attachment by click system.



ITEM	MATERIAL	A (mm)	D (mm)	KG/PC.	PACKAGE	PROD. CODE
PKP-ZKP 50	■ FeZn	50	0,6	0,07	2	<b>88701217</b>
PKP-ZKP 100	■ FeZn	100	0,6	0,13	2	<b>88701106</b>
PKP-ZKP 200	■ FeZn	200	0,6	0,20	2	<b>88701107</b>
PKP-ZKP 300	■ FeZn	300	0,6	0,23	2	<b>88701108</b>
PKP-ZKP 400	■ FeZn	400	0,6	0,29	2	<b>88701109</b>
PKP-ZKP 500	■ FeZn	500	0,6	0,33	2	<b>88701110</b>
PKP-ZKP 600	■ FeZn	600	0,6	0,38	2	<b>88701216</b>

ITEM	MATERIAL	A (mm)	D (mm)	KG/PC.	PACKAGE	PROD. CODE
PKP-ZKP 50	■ Rf	50	0,6	0,07	2	<b>88702317</b>
PKP-ZKP 100	■ Rf	100	0,6	0,13	2	<b>88702206</b>
PKP-ZKP 200	■ Rf	200	0,6	0,20	2	<b>88702207</b>
PKP-ZKP 300	■ Rf	300	0,6	0,23	2	<b>88702208</b>
PKP-ZKP 400	■ Rf	400	0,6	0,29	2	<b>88702209</b>
PKP-ZKP 500	■ Rf	500	0,6	0,33	2	<b>88702210</b>
PKP-ZKP 600	■ Rf	600	0,6	0,38	2	<b>88702318</b>

ITEM	MATERIAL	A (mm)	D (mm)	KG/PC.	PACKAGE	PROD. CODE
PKP-ZKP 50	■ FeZn-H	50	0,8	0,12	2	<b>88706710</b>
PKP-ZKP 100	■ FeZn-H	100	0,8	0,16	2	<b>88706711</b>
PKP-ZKP 200	■ FeZn-H	200	0,8	0,25	2	<b>88706712</b>
PKP-ZKP 300	■ FeZn-H	300	0,8	0,35	2	<b>88706713</b>
PKP-ZKP 400	■ FeZn-H	400	0,8	0,45	2	<b>88706714</b>
PKP-ZKP 500	■ FeZn-H	500	0,8	0,55	2	<b>88706715</b>
PKP-ZKP 600	■ FeZn-H	600	0,8	0,65	2	<b>88706716</b>

ITEM	MATERIAL	A (mm)	D (mm)	KG/PC.	PACKAGE	PROD. CODE
PKP-ZKP 50	■ Rf*H4	50	0,6	0,07	2	<b>88717710*</b>
PKP-ZKP 100	■ Rf*H4	100	0,6	0,13	2	<b>88717711*</b>
PKP-ZKP 200	■ Rf*H4	200	0,6	0,20	2	<b>88717712*</b>
PKP-ZKP 300	■ Rf*H4	300	0,6	0,23	2	<b>88717713*</b>
PKP-ZKP 400	■ Rf*H4	400	0,6	0,29	2	<b>88717714*</b>
PKP-ZKP 500	■ Rf*H4	500	0,6	0,33	2	<b>88717715*</b>
PKP-ZKP 600	■ Rf*H4	600	0,6	0,38	2	<b>88717716*</b>

ITEM	MATERIAL	A (mm)	D (mm)	KG/PC.	PACKAGE	PROD. CODE
PKP-ZKP 50	■ FeZn-PVC	50	0,6	0,11	2	<b>88703417*</b>
PKP-ZKP 100	■ FeZn-PVC	100	0,6	0,15	2	<b>88703306*</b>
PKP-ZKP 200	■ FeZn-PVC	200	0,6	0,24	2	<b>88703307*</b>
PKP-ZKP 300	■ FeZn-PVC	300	0,6	0,34	2	<b>88703308*</b>
PKP-ZKP 400	■ FeZn-PVC	400	0,6	0,43	2	<b>88703309*</b>
PKP-ZKP 500	■ FeZn-PVC	500	0,6	0,53	2	<b>88703310*</b>
PKP-ZKP 600	■ FeZn-PVC	600	0,6	0,62	2	<b>88703418*</b>

\* upon request

## >> Cable trays KP 100

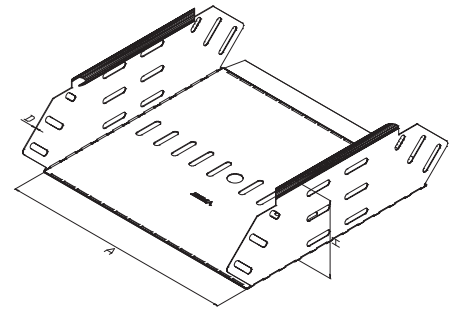
### PKP-NK 100/- Internal elbow 90°

The mounting is carried out with **PPKP M6x12** (8x) connection bolts and **PPKP M6** (8x) flange nuts.

ITEM	MATERIAL	H (mm)	A (mm)	D (mm)	PACKAGE	PROD. CODE
PKP-NK 100/100	■ FeZn	100	100	0,8	2	<b>88701321</b>
PKP-NK 100/200	■ FeZn	100	200	0,8	2	<b>88701322</b>
PKP-NK 100/300	■ FeZn	100	300	0,8	2	<b>88701323</b>
PKP-NK 100/400	■ FeZn	100	400	0,8	2	<b>88701324</b>
PKP-NK 100/500	■ FeZn	100	500	0,8	2	<b>88701325</b>
PKP-NK 100/600	■ FeZn	100	600	0,8	2	<b>88701326</b>

ITEM	MATERIAL	H (mm)	A (mm)	D (mm)	PACKAGE	PROD. CODE
PKP-NK 100/100	■ Rf	100	100	0,8	2	<b>88702421</b>
PKP-NK 100/200	■ Rf	100	200	0,8	2	<b>88702422</b>
PKP-NK 100/300	■ Rf	100	300	0,8	2	<b>88702423</b>
PKP-NK 100/400	■ Rf	100	400	0,8	2	<b>88702424</b>
PKP-NK 100/500	■ Rf	100	500	0,8	2	<b>88702425</b>
PKP-NK 100/600	■ Rf	100	600	0,8	2	<b>88702426</b>

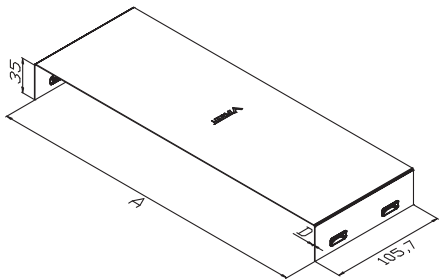
ITEM	MATERIAL	H (mm)	A (mm)	D (mm)	PACKAGE	PROD. CODE
PKP-NK 100/100	■ FeZn-H	100	100	0,8	2	<b>88706901</b>
PKP-NK 100/200	■ FeZn-H	100	200	0,8	2	<b>88706902</b>
PKP-NK 100/300	■ FeZn-H	100	300	0,8	2	<b>88706903</b>
PKP-NK 100/400	■ FeZn-H	100	400	0,8	2	<b>88706904</b>
PKP-NK 100/500	■ FeZn-H	100	500	0,8	2	<b>88706905</b>
PKP-NK 100/600	■ FeZn-H	100	600	0,8	2	<b>88706906</b>



# >> Cable trays KP 100

## PKP-NKP Internal elbow cover 90°

Attachment by click system.



ITEM	MATERIAL	A (mm)	D (mm)	KG/PC.	PACKAGE	PROD. CODE
PKP-NKP 50	■ FeZn	50	0,6	0,06	2	<b>88701219</b>
PKP-NKP 100	■ FeZn	100	0,6	0,09	2	<b>88701116</b>
PKP-NKP 200	■ FeZn	200	0,6	0,18	2	<b>88701117</b>
PKP-NKP 300	■ FeZn	300	0,6	0,19	2	<b>88701118</b>
PKP-NKP 400	■ FeZn	400	0,6	0,24	2	<b>88701119</b>
PKP-NKP 500	■ FeZn	500	0,6	0,28	2	<b>88701120</b>
PKP-NKP 600	■ FeZn	600	0,6	0,33	2	<b>88701226</b>

ITEM	MATERIAL	A (mm)	D (mm)	KG/PC.	PACKAGE	PROD. CODE
PKP-NKP 50	■ Rf	50	0,6	0,06	2	<b>88702321</b>
PKP-NKP 100	■ Rf	100	0,6	0,09	2	<b>88702216</b>
PKP-NKP 200	■ Rf	200	0,6	0,18	2	<b>88702217</b>
PKP-NKP 300	■ Rf	300	0,6	0,19	2	<b>88702218</b>
PKP-NKP 400	■ Rf	400	0,6	0,24	2	<b>88702219</b>
PKP-NKP 500	■ Rf	500	0,6	0,28	2	<b>88702220</b>
PKP-NKP 600	■ Rf	600	0,6	0,33	2	<b>88702322</b>

ITEM	MATERIAL	A (mm)	D (mm)	KG/PC.	PACKAGE	PROD. CODE
PKP-NKP 50	■ FeZn-H	50	0,8	0,08	2	<b>88706730</b>
PKP-NKP 100	■ FeZn-H	100	0,8	0,13	2	<b>88706731</b>
PKP-NKP 200	■ FeZn-H	200	0,8	0,21	2	<b>88706732</b>
PKP-NKP 300	■ FeZn-H	300	0,8	0,22	2	<b>88706733</b>
PKP-NKP 400	■ FeZn-H	400	0,8	0,27	2	<b>88706734</b>
PKP-NKP 500	■ FeZn-H	500	0,8	0,33	2	<b>88706735</b>
PKP-NKP 600	■ FeZn-H	600	0,8	0,38	2	<b>88706736</b>

ITEM	MATERIAL	A (mm)	D (mm)	KG/PC.	PACKAGE	PROD. CODE
PKP-NKP 50	■ Rf*H4	50	0,6	0,06	2	<b>88704422*</b>
PKP-NKP 100	■ Rf*H4	100	0,6	0,09	2	<b>88704416*</b>
PKP-NKP 200	■ Rf*H4	200	0,6	0,18	2	<b>88704417*</b>
PKP-NKP 300	■ Rf*H4	300	0,6	0,19	2	<b>88704418*</b>
PKP-NKP 400	■ Rf*H4	400	0,6	0,24	2	<b>88704419*</b>
PKP-NKP 500	■ Rf*H4	500	0,6	0,28	2	<b>88704420*</b>
PKP-NKP 600	■ Rf*H4	600	0,6	0,33	2	<b>88704421*</b>

ITEM	MATERIAL	A (mm)	D (mm)	KG/PC.	PACKAGE	PROD. CODE
PKP-NKP 50	■ FeZn-PVC	50	0,6	0,06	2	<b>88703421*</b>
PKP-NKP 100	■ FeZn-PVC	100	0,6	0,09	2	<b>88703316*</b>
PKP-NKP 200	■ FeZn-PVC	200	0,6	0,19	2	<b>88703317*</b>
PKP-NKP 300	■ FeZn-PVC	300	0,6	0,20	2	<b>88703318*</b>
PKP-NKP 400	■ FeZn-PVC	400	0,6	0,26	2	<b>88703319*</b>
PKP-NKP 500	■ FeZn-PVC	500	0,6	0,31	2	<b>88703320*</b>
PKP-NKP 600	■ FeZn-PVC	600	0,6	0,36	2	<b>88703422*</b>

\* upon request

## >> Cable trays KP 100

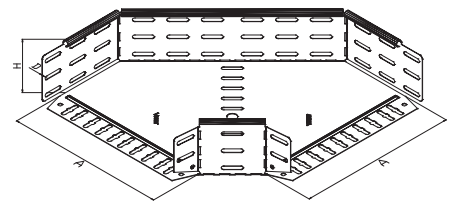
### PKP-KO 100/- Truncated elbow 90°

The mounting is carried out with **PPKP M6x12** (8x) connection bolts and **PPKP M6** (8x) flange nuts.

ITEM	MATERIAL	H (mm)	A (mm)	D (mm)	KG/PC.	PACKAGE	PROD. CODE
PKP-KO 100/100/90°	■ FeZn	100	100	0,8	0,76	2	<b>88701271</b>
PKP-KO 100/200/90°	■ FeZn	100	200	0,8	0,84	2	<b>88701272</b>
PKP-KO 100/300/90°	■ FeZn	100	300	0,8	1,30	2	<b>88701273</b>
PKP-KO 100/400/90°	■ FeZn	100	400	0,8	1,98	2	<b>88701274</b>
PKP-KO 100/500/90°	■ FeZn	100	500	0,8	2,80	2	<b>88701275</b>
PKP-KO 100/600/90°	■ FeZn	100	600	0,8	3,80	2	<b>88701276</b>

ITEM	MATERIAL	H (mm)	A (mm)	D (mm)	KG/PC.	PACKAGE	PROD. CODE
PKP-KO 100/100/90°	■ Rf	100	100	0,8	0,76	2	<b>88702371</b>
PKP-KO 100/200/90°	■ Rf	100	200	0,8	0,84	2	<b>88702372</b>
PKP-KO 100/300/90°	■ Rf	100	300	0,8	1,30	2	<b>88702373</b>
PKP-KO 100/400/90°	■ Rf	100	400	0,8	1,98	2	<b>88702374</b>
PKP-KO 100/500/90°	■ Rf	100	500	0,8	2,80	2	<b>88702375</b>
PKP-KO 100/600/90°	■ Rf	100	600	0,8	3,80	2	<b>88702376</b>

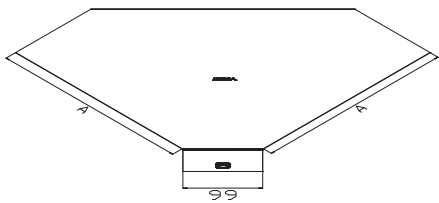
ITEM	MATERIAL	H (mm)	A (mm)	D (mm)	KG/PC.	PACKAGE	PROD. CODE
PKP-KO 100/100/90°	■ FeZn-H	100	100	0,8	0,84	2	<b>88706871</b>
PKP-KO 100/200/90°	■ FeZn-H	100	200	0,8	0,92	2	<b>88706872</b>
PKP-KO 100/300/90°	■ FeZn-H	100	300	0,8	1,43	2	<b>88706873</b>
PKP-KO 100/400/90°	■ FeZn-H	100	400	0,8	2,18	2	<b>88706874</b>
PKP-KO 100/500/90°	■ FeZn-H	100	500	0,8	3,08	2	<b>88706875</b>
PKP-KO 100/600/90°	■ FeZn-H	100	600	0,8	4,18	2	<b>88706876</b>



# >> Cable trays KP 100

## PKP-KOP Truncated elbow cover 90°

Attachment by click system.



ITEM	MATERIAL	A (mm)	D (mm)	KG/PC.	PACKAGE	PROD. CODE
PKP-KOP 50/90°	■ FeZn	50	0,6	0,10	2	<b>88701227</b>
PKP-KOP 100/90°	■ FeZn	100	0,6	0,14	2	<b>88701136</b>
PKP-KOP 200/90°	■ FeZn	200	0,6	0,33	2	<b>88701137</b>
PKP-KOP 300/90°	■ FeZn	300	0,6	0,56	2	<b>88701138</b>
PKP-KOP 400/90°	■ FeZn	400	0,6	0,96	2	<b>88701139</b>
PKP-KOP 500/90°	■ FeZn	500	0,6	1,31	2	<b>88701140</b>
PKP-KOP 600/90°	■ FeZn	600	0,6	1,35	2	<b>88701228</b>

ITEM	MATERIAL	A (mm)	D (mm)	KG/PC.	PACKAGE	PROD. CODE
PKP-KOP 50/90°	■ Rf	50	0,6	0,10	2	<b>88702326</b>
PKP-KOP 100/90°	■ Rf	100	0,6	0,14	2	<b>88702236</b>
PKP-KOP 200/90°	■ Rf	200	0,6	0,33	2	<b>88702237</b>
PKP-KOP 300/90°	■ Rf	300	0,6	0,56	2	<b>88702238</b>
PKP-KOP 400/90°	■ Rf	400	0,6	0,96	2	<b>88702239</b>
PKP-KOP 500/90°	■ Rf	500	0,6	1,31	2	<b>88702240</b>
PKP-KOP 600/90°	■ Rf	600	0,6	1,35	2	<b>88702327</b>

ITEM	MATERIAL	A (mm)	D (mm)	KG/PC.	PACKAGE	PROD. CODE
PKP-KOP 50/90°	■ FeZn-H	50	0,8	0,17	2	<b>88706740</b>
PKP-KOP 100/90°	■ FeZn-H	100	0,8	0,21	2	<b>88706741</b>
PKP-KOP 200/90°	■ FeZn-H	200	0,8	0,38	2	<b>88706742</b>
PKP-KOP 300/90°	■ FeZn-H	300	0,8	0,65	2	<b>88706743</b>
PKP-KOP 400/90°	■ FeZn-H	400	0,8	1,11	2	<b>88706744</b>
PKP-KOP 500/90°	■ FeZn-H	500	0,8	1,51	2	<b>88706745</b>
PKP-KOP 600/90°	■ FeZn-H	600	0,8	1,56	2	<b>88706746</b>

ITEM	MATERIAL	A (mm)	D (mm)	KG/PC.	PACKAGE	PROD. CODE
PKP-KOP 50/90°	■ Rf*H4	50	0,6	0,10	2	<b>88704484*</b>
PKP-KOP 100/90°	■ Rf*H4	100	0,6	0,14	2	<b>88704436*</b>
PKP-KOP 200/90°	■ Rf*H4	200	0,6	0,33	2	<b>88704437*</b>
PKP-KOP 300/90°	■ Rf*H4	300	0,6	0,56	2	<b>88704438*</b>
PKP-KOP 400/90°	■ Rf*H4	400	0,6	0,96	2	<b>88704439*</b>
PKP-KOP 500/90°	■ Rf*H4	500	0,6	1,31	2	<b>88704440*</b>
PKP-KOP 600/90°	■ Rf*H4	600	0,6	1,35	2	<b>88704492*</b>

ITEM	MATERIAL	A (mm)	D (mm)	KG/PC.	PACKAGE	PROD. CODE
PKP-KOP 50/90°	■ FeZn-PVC	50	0,6	0,11	2	<b>88703423*</b>
PKP-KOP 100/90°	■ FeZn-PVC	100	0,6	0,15	2	<b>88703336*</b>
PKP-KOP 200/90°	■ FeZn-PVC	200	0,6	0,36	2	<b>88703337*</b>
PKP-KOP 300/90°	■ FeZn-PVC	300	0,6	0,62	2	<b>88703338*</b>
PKP-KOP 400/90°	■ FeZn-PVC	400	0,6	1,06	2	<b>88703339*</b>
PKP-KOP 500/90°	■ FeZn-PVC	500	0,6	1,44	2	<b>88703340*</b>
PKP-KOP 600/90°	■ FeZn-PVC	600	0,6	1,49	2	<b>88703424*</b>

\* upon request

## >> Cable trays KP 100

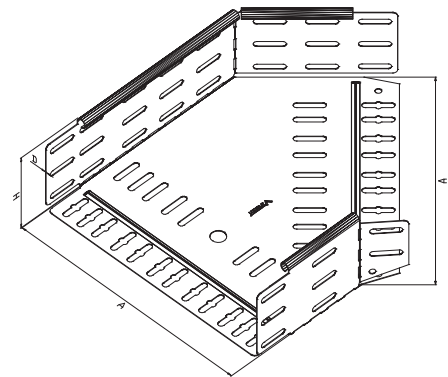
### PKP-KO 100/- Truncated elbow 45°

The mounting is carried out with **PPKP M6x12** (8x) connection bolts and **PPKP M6** (8x) flange nuts.

ITEM	MATERIAL	H (mm)	A (mm)	D (mm)	KG/PC.	PACKAGE	PROD. CODE
PKP-KO 100/100/45°	■ FeZn	100	100	0,8	0,40	2	<b>88701287</b>
PKP-KO 100/200/45°	■ FeZn	100	200	0,8	0,60	2	<b>88701282</b>
PKP-KO 100/300/45°	■ FeZn	100	300	0,8	0,80	2	<b>88701283</b>
PKP-KO 100/400/45°	■ FeZn	100	400	0,8	1,30	2	<b>88701284</b>
PKP-KO 100/500/45°	■ FeZn	100	500	0,8	1,75	2	<b>88701285</b>
PKP-KO 100/600/45°	■ FeZn	100	600	0,8	2,30	2	<b>88701286</b>

ITEM	MATERIAL	H (mm)	A (mm)	D (mm)	KG/PC.	PACKAGE	PROD. CODE
PKP-KO 100/100/45°	■ Rf	100	100	0,8	0,40	2	<b>88702381</b>
PKP-KO 100/200/45°	■ Rf	100	200	0,8	0,60	2	<b>88702382</b>
PKP-KO 100/300/45°	■ Rf	100	300	0,8	0,80	2	<b>88702383</b>
PKP-KO 100/400/45°	■ Rf	100	400	0,8	1,30	2	<b>88702384</b>
PKP-KO 100/500/45°	■ Rf	100	500	0,8	1,75	2	<b>88702385</b>
PKP-KO 100/600/45°	■ Rf	100	600	0,8	2,30	2	<b>88702386</b>

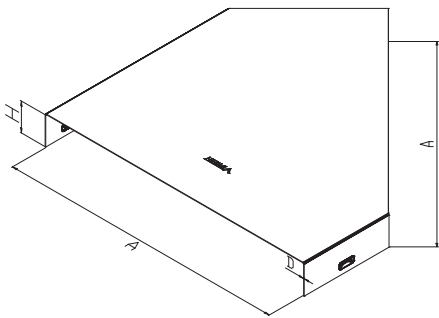
ITEM	MATERIAL	H (mm)	A (mm)	D (mm)	KG/PC.	PACKAGE	PROD. CODE
PKP-KO 100/100/45°	■ FeZn-H	100	100	0,8	0,44	2	<b>88706881</b>
PKP-KO 100/200/45°	■ FeZn-H	100	200	0,8	0,66	2	<b>88706882</b>
PKP-KO 100/300/45°	■ FeZn-H	100	300	0,8	0,88	2	<b>88706883</b>
PKP-KO 100/400/45°	■ FeZn-H	100	400	0,8	1,43	2	<b>88706884</b>
PKP-KO 100/500/45°	■ FeZn-H	100	500	0,8	1,93	2	<b>88706885</b>
PKP-KO 100/600/45°	■ FeZn-H	100	600	0,8	2,53	2	<b>88706886</b>



## &gt;&gt; Cable trays KP 100

**PKP-KOP Truncated elbow cover 45°**

Attachment by click system.



ITEM	MATERIAL	A (mm)	D (mm)	KG/PC.	PACKAGE	PROD. CODE
PKP-KOP 50/45°	■ FeZn	50	0,6	0,05	2	<b>88701236</b>
PKP-KOP 100/45°	■ FeZn	100	0,6	0,11	2	<b>88701166</b>
PKP-KOP 200/45°	■ FeZn	200	0,6	0,22	2	<b>88701167</b>
PKP-KOP 300/45°	■ FeZn	300	0,6	0,37	2	<b>88701168</b>
PKP-KOP 400/45°	■ FeZn	400	0,6	0,58	2	<b>88701169</b>
PKP-KOP 500/45°	■ FeZn	500	0,6	0,80	2	<b>88701170</b>
PKP-KOP 600/45°	■ FeZn	600	0,6	0,82	2	<b>88701237</b>

ITEM	MATERIAL	A (mm)	D (mm)	KG/PC.	PACKAGE	PROD. CODE
PKP-KOP 50/45°	■ Rf	50	0,6	0,05	2	<b>88702336</b>
PKP-KOP 100/45°	■ Rf	100	0,6	0,11	2	<b>88702266</b>
PKP-KOP 200/45°	■ Rf	200	0,6	0,22	2	<b>88702267</b>
PKP-KOP 300/45°	■ Rf	300	0,6	0,37	2	<b>88702268</b>
PKP-KOP 400/45°	■ Rf	400	0,6	0,58	2	<b>88702269</b>
PKP-KOP 500/45°	■ Rf	500	0,6	0,80	2	<b>88702270</b>
PKP-KOP 600/45°	■ Rf	600	0,6	0,82	2	<b>88702337</b>

ITEM	MATERIAL	A (mm)	D (mm)	KG/PC.	PACKAGE	PROD. CODE
PKP-KOP 50/45°	■ FeZn-H	50	0,8	0,06	2	<b>88706750</b>
PKP-KOP 100/45°	■ FeZn-H	100	0,8	0,13	2	<b>88706751</b>
PKP-KOP 200/45°	■ FeZn-H	200	0,8	0,26	2	<b>88706752</b>
PKP-KOP 300/45°	■ FeZn-H	300	0,8	0,43	2	<b>88706753</b>
PKP-KOP 400/45°	■ FeZn-H	400	0,8	0,67	2	<b>88706754</b>
PKP-KOP 500/45°	■ FeZn-H	500	0,8	0,92	2	<b>88706755</b>
PKP-KOP 600/45°	■ FeZn-H	600	0,8	0,95	2	<b>88706756</b>

ITEM	MATERIAL	A (mm)	D (mm)	KG/PC.	PACKAGE	PROD. CODE
PKP-KOP 50/45°	■ Rf*H4	50	0,6	0,05	2	<b>88717780*</b>
PKP-KOP 100/45°	■ Rf*H4	100	0,6	0,11	2	<b>88717781*</b>
PKP-KOP 200/45°	■ Rf*H4	200	0,6	0,22	2	<b>88717782*</b>
PKP-KOP 300/45°	■ Rf*H4	300	0,6	0,37	2	<b>88717783*</b>
PKP-KOP 400/45°	■ Rf*H4	400	0,6	0,58	2	<b>88717784*</b>
PKP-KOP 500/45°	■ Rf*H4	500	0,6	0,80	2	<b>88717785*</b>
PKP-KOP 600/45°	■ Rf*H4	600	0,6	0,82	2	<b>88717786*</b>

ITEM	MATERIAL	A (mm)	D (mm)	KG/PC.	PACKAGE	PROD. CODE
PKP-KOP 50/45°	■ FeZn-PVC	50	0,6	0,06	2	<b>88703436*</b>
PKP-KOP 100/45°	■ FeZn-PVC	100	0,6	0,12	2	<b>88703366*</b>
PKP-KOP 200/45°	■ FeZn-PVC	200	0,6	0,24	2	<b>88703367*</b>
PKP-KOP 300/45°	■ FeZn-PVC	300	0,6	0,41	2	<b>88703368*</b>
PKP-KOP 400/45°	■ FeZn-PVC	400	0,6	0,64	2	<b>88703369*</b>
PKP-KOP 500/45°	■ FeZn-PVC	500	0,6	0,88	2	<b>88703370*</b>
PKP-KOP 600/45°	■ FeZn-PVC	600	0,6	0,90	2	<b>88703437*</b>

\* upon request



## >> Cable trays KP 100

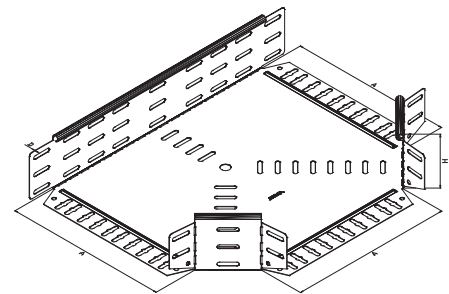
### PKP-SO 100/- Side branch

The mounting is carried out with **PPKP M6x12 (8x)** connection bolts and **PPKP M6 (8x)** flange nuts.

ITEM	MATERIAL	H (mm)	A (mm)	D (mm)	KG/PC.	PACKAGE	PROD. CODE
PKP-SO 100/100	■ FeZn	100	100	0,8	0,65	2	<b>88701291</b>
PKP-SO 100/200	■ FeZn	100	200	0,8	1,10	2	<b>88701292</b>
PKP-SO 100/300	■ FeZn	100	300	0,8	1,60	2	<b>88701293</b>
PKP-SO 100/400	■ FeZn	100	400	0,8	2,36	2	<b>88701294</b>
PKP-SO 100/500	■ FeZn	100	500	0,8	3,16	2	<b>88701295</b>
PKP-SO 100/600	■ FeZn	100	600	0,8	4,10	2	<b>88701296</b>

ITEM	MATERIAL	H (mm)	A (mm)	D (mm)	KG/PC.	PACKAGE	PROD. CODE
PKP-SO 100/50	■ Rf	100	50	0,8	0,43	2	<b>88702390</b>
PKP-SO 100/100	■ Rf	100	100	0,8	0,65	2	<b>88702391</b>
PKP-SO 100/200	■ Rf	100	200	0,8	1,10	2	<b>88702392</b>
PKP-SO 100/300	■ Rf	100	300	0,8	1,60	2	<b>88702393</b>
PKP-SO 100/400	■ Rf	100	400	0,8	2,36	2	<b>88702394</b>
PKP-SO 100/500	■ Rf	100	500	0,8	3,16	2	<b>88702395</b>
PKP-SO 100/600	■ Rf	100	600	0,8	4,10	2	<b>88702396</b>

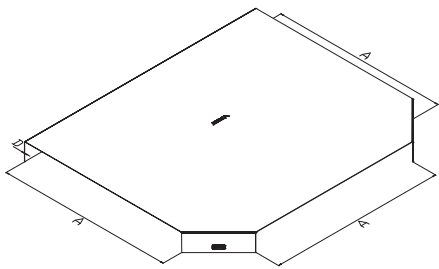
ITEM	MATERIAL	H (mm)	A (mm)	D (mm)	KG/PC.	PACKAGE	PROD. CODE
PKP-SO 100/100	■ FeZn-H	100	100	0,8	0,72	2	<b>88706891</b>
PKP-SO 100/200	■ FeZn-H	100	200	0,8	1,33	2	<b>88706892</b>
PKP-SO 100/300	■ FeZn-H	100	300	0,8	1,76	2	<b>88706893</b>
PKP-SO 100/400	■ FeZn-H	100	400	0,8	2,60	2	<b>88706894</b>
PKP-SO 100/500	■ FeZn-H	100	500	0,8	3,60	2	<b>88706895</b>
PKP-SO 100/600	■ FeZn-H	100	600	0,8	4,51	2	<b>88706896</b>



# >> Cable trays KP 100

## PKP-SOP Side branch cover

Attachment by click system.



ITEM	MATERIAL	A (mm)	D (mm)	KG/PC.	PACKAGE	PROD. CODE
PKP-SOP 50	■ FeZn	50	0,6	0,20	2	<b>88701229</b>
PKP-SOP 100	■ FeZn	100	0,6	0,25	2	<b>88701146</b>
PKP-SOP 200	■ FeZn	200	0,6	0,66	2	<b>88701147</b>
PKP-SOP 300	■ FeZn	300	0,6	0,90	2	<b>88701148</b>
PKP-SOP 400	■ FeZn	400	0,6	1,38	2	<b>88701149</b>
PKP-SOP 500	■ FeZn	500	0,6	1,92	2	<b>88701150</b>
PKP-SOP 600	■ FeZn	600	0,6	2,47	2	<b>88701230</b>

ITEM	MATERIAL	A (mm)	D (mm)	KG/PC.	PACKAGE	PROD. CODE
PKP-SOP 50	■ Rf	50	0,6	0,20	2	<b>88702328</b>
PKP-SOP 100	■ Rf	100	0,6	0,25	2	<b>88702246</b>
PKP-SOP 200	■ Rf	200	0,6	0,66	2	<b>88702247</b>
PKP-SOP 300	■ Rf	300	0,6	0,90	2	<b>88702248</b>
PKP-SOP 400	■ Rf	400	0,6	1,38	2	<b>88702249</b>
PKP-SOP 500	■ Rf	500	0,6	1,92	2	<b>88702250</b>
PKP-SOP 600	■ Rf	600	0,6	2,47	2	<b>88702329</b>

ITEM	MATERIAL	A (mm)	D (mm)	KG/PC.	PACKAGE	PROD. CODE
PKP-SOP 50	■ FeZn-H	50	0,8	0,23	2	<b>88706760</b>
PKP-SOP 100	■ FeZn-H	100	0,8	0,31	2	<b>88706761</b>
PKP-SOP 200	■ FeZn-H	200	0,8	0,76	2	<b>88706762</b>
PKP-SOP 300	■ FeZn-H	300	0,8	1,05	2	<b>88706763</b>
PKP-SOP 400	■ FeZn-H	400	0,8	1,59	2	<b>88706764</b>
PKP-SOP 500	■ FeZn-H	500	0,8	2,22	2	<b>88706765</b>
PKP-SOP 600	■ FeZn-H	600	0,8	2,85	2	<b>88706766</b>

ITEM	MATERIAL	A (mm)	D (mm)	KG/PC.	PACKAGE	PROD. CODE
PKP-SOP 50	■ Rf*H4	50	0,6	0,20	2	<b>88704493*</b>
PKP-SOP 100	■ Rf*H4	100	0,6	0,25	2	<b>88704446*</b>
PKP-SOP 200	■ Rf*H4	200	0,6	0,66	2	<b>88704447*</b>
PKP-SOP 300	■ Rf*H4	300	0,6	0,90	2	<b>88704448*</b>
PKP-SOP 400	■ Rf*H4	400	0,6	1,38	2	<b>88704449*</b>
PKP-SOP 500	■ Rf*H4	500	0,6	1,92	2	<b>88704450*</b>
PKP-SOP 600	■ Rf*H4	600	0,6	2,47	2	<b>88704493*</b>

ITEM	MATERIAL	A (mm)	D (mm)	KG/PC.	PACKAGE	PROD. CODE
PKP-SOP 50	■ FeZn-PVC	50	0,6	0,22	2	<b>88703428*</b>
PKP-SOP 100	■ FeZn-PVC	100	0,6	0,28	2	<b>88703346*</b>
PKP-SOP 200	■ FeZn-PVC	200	0,6	0,72	2	<b>88703347*</b>
PKP-SOP 300	■ FeZn-PVC	300	0,6	1,00	2	<b>88703348*</b>
PKP-SOP 400	■ FeZn-PVC	400	0,6	1,52	2	<b>88703349*</b>
PKP-SOP 500	■ FeZn-PVC	500	0,6	2,11	2	<b>88703350*</b>
PKP-SOP 600	■ FeZn-PVC	600	0,6	2,72	2	<b>88703429*</b>

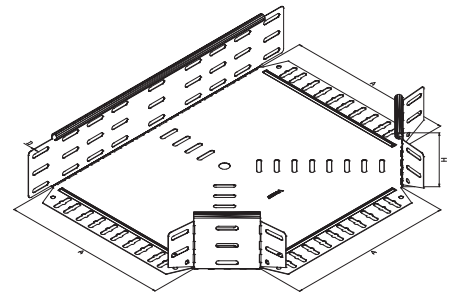
\* upon request

## >> Cable trays KP 100

### PKP-SO 100/- Side branch

The mounting is carried out with **PPKP M6x12** (8x) connection bolts and **PPKP M6** (8x) flange nuts.

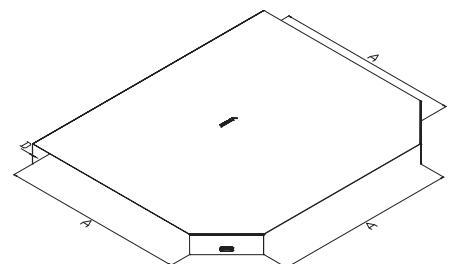
ITEM	MATERIAL	H (mm)	A (mm)	D (mm)	KG/PC.	PACKAGE	PROD. CODE
PKP-SO 100/100	■ FeZn	100	100	1,5	2,10	2	<b>88701431</b>
PKP-SO 100/200	■ FeZn	100	200	1,5	3,40	2	<b>88701432</b>
PKP-SO 100/300	■ FeZn	100	300	1,5	4,70	2	<b>88701433</b>
PKP-SO 100/400	■ FeZn	100	400	1,5	6,00	2	<b>88701434</b>
PKP-SO 100/500	■ FeZn	100	500	1,5	7,30	2	<b>88701435</b>
PKP-SO 100/600	■ FeZn	100	600	1,5	8,60	2	<b>88701436</b>



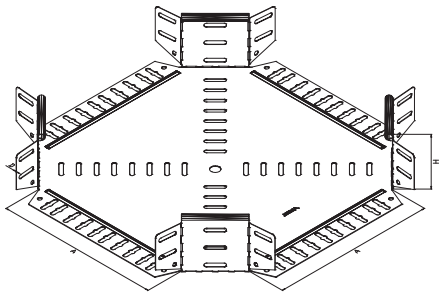
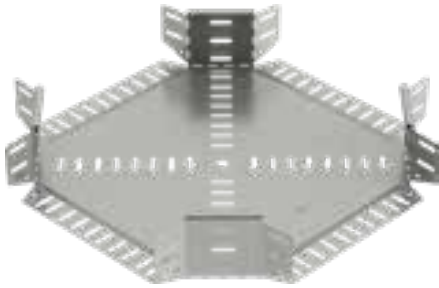
### PKP-SOP Side branch cover

Attachment with PKP-SP1 cover clamp.

ITEM	MATERIAL	A (mm)	D (mm)	KG/PC.	PACKAGE	PROD. CODE
PKP-SOP 50	■ FeZn	50	1,5	1,20	2	<b>88701441</b>
PKP-SOP 100	■ FeZn	100	1,5	1,80	2	<b>88701442</b>
PKP-SOP 200	■ FeZn	200	1,5	3,00	2	<b>88701443</b>
PKP-SOP 300	■ FeZn	300	1,5	4,20	2	<b>88701444</b>
PKP-SOP 400	■ FeZn	400	1,5	5,40	2	<b>88701445</b>
PKP-SOP 500	■ FeZn	500	1,5	6,60	2	<b>88701446</b>
PKP-SOP 600	■ FeZn	600	1,5	7,80	2	<b>88701441</b>



## >> Cable trays KP 100



### PKP-KR 100/- Cross-over

The mounting is carried out with **PPKP M6x12** (8x) connection bolts and **PPKP M6** (8x) flange nuts.

ITEM	MATERIAL	H (mm)	A (mm)	D (mm)	PACKAGE	PROD. CODE
PKP-KR 100/100	■ FeZn	100	100	0,8	2	<b>88701341</b>
PKP-KR 100/200	■ FeZn	100	200	0,8	2	<b>88701342</b>
PKP-KR 100/300	■ FeZn	100	300	0,8	2	<b>88701343</b>
PKP-KR 100/400	■ FeZn	100	400	0,8	2	<b>88701344</b>
PKP-KR 100/500	■ FeZn	100	500	0,8	2	<b>88701345</b>
PKP-KR 100/600	■ FeZn	100	600	0,8	2	<b>88701346</b>

ITEM	MATERIAL	H (mm)	A (mm)	D (mm)	PACKAGE	PROD. CODE
PKP-KR 100/100	■ Rf	100	100	0,8	2	<b>88702441</b>
PKP-KR 100/200	■ Rf	100	200	0,8	2	<b>88702442</b>
PKP-KR 100/300	■ Rf	100	300	0,8	2	<b>88702443</b>
PKP-KR 100/400	■ Rf	100	400	0,8	2	<b>88702444</b>
PKP-KR 100/500	■ Rf	100	500	0,8	2	<b>88702445</b>
PKP-KR 100/600	■ Rf	100	600	0,8	2	<b>88702446</b>

ITEM	MATERIAL	H (mm)	A (mm)	D (mm)	PACKAGE	PROD. CODE
PKP-KR 100/100	■ FeZn-H	100	100	0,8	2	<b>88706921</b>
PKP-KR 100/200	■ FeZn-H	100	200	0,8	2	<b>88706922</b>
PKP-KR 100/300	■ FeZn-H	100	300	0,8	2	<b>88706923</b>
PKP-KR 100/400	■ FeZn-H	100	400	0,8	2	<b>88706924</b>
PKP-KR 100/500	■ FeZn-H	100	500	0,8	2	<b>88706925</b>
PKP-KR 100/600	■ FeZn-H	100	600	0,8	2	<b>88706926</b>

\* upon request

# >> Cable trays KP 100

## PKP-KRP Cross-over cover

Attachment by click system.

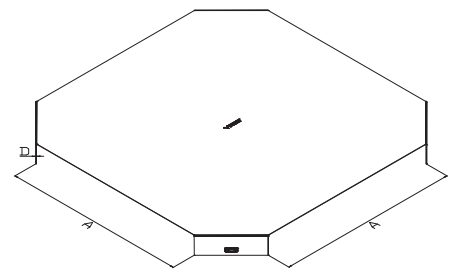
ITEM	MATERIAL	A (mm)	D (mm)	KG/PC.	PACKAGE	PROD. CODE
PKP-KRP 50	■ FeZn	50	0,6	0,22	2	<b>88701232</b>
PKP-KRP 100	■ FeZn	100	0,6	0,30	2	<b>88701156</b>
PKP-KRP 200	■ FeZn	200	0,6	0,75	2	<b>88701157</b>
PKP-KRP 300	■ FeZn	300	0,6	0,93	2	<b>88701158</b>
PKP-KRP 400	■ FeZn	400	0,6	1,38	2	<b>88701159</b>
PKP-KRP 500	■ FeZn	500	0,6	2,49	2	<b>88701160</b>
PKP-KRP 600	■ FeZn	600	0,6	2,90	2	<b>88701233</b>

ITEM	MATERIAL	A (mm)	D (mm)	KG/PC.	PACKAGE	PROD. CODE
PKP-KRP 50	■ Rf	50	0,6	0,22	2	<b>88702332</b>
PKP-KRP 100	■ Rf	100	0,6	0,30	2	<b>88702256</b>
PKP-KRP 200	■ Rf	200	0,6	0,75	2	<b>88702257</b>
PKP-KRP 300	■ Rf	300	0,6	0,93	2	<b>88702258</b>
PKP-KRP 400	■ Rf	400	0,6	1,38	2	<b>88702259</b>
PKP-KRP 500	■ Rf	500	0,6	2,49	2	<b>88702260</b>
PKP-KRP 600	■ Rf	600	0,6	2,90	2	<b>88702333</b>

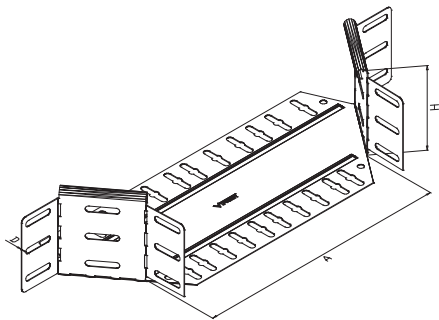
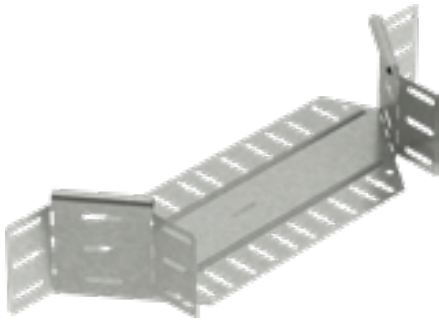
ITEM	MATERIAL	A (mm)	D (mm)	KG/PC.	PACKAGE	PROD. CODE
PKP-KRP 50	■ FeZn-H	50	0,8	0,26	2	<b>88706770</b>
PKP-KRP 100	■ FeZn-H	100	0,8	3,44	2	<b>88706771</b>
PKP-KRP 200	■ FeZn-H	200	0,8	0,85	2	<b>88706772</b>
PKP-KRP 300	■ FeZn-H	300	0,8	1,08	2	<b>88706773</b>
PKP-KRP 400	■ FeZn-H	400	0,8	1,59	2	<b>88706774</b>
PKP-KRP 500	■ FeZn-H	500	0,8	2,88	2	<b>88706775</b>
PKP-KRP 600	■ FeZn-H	600	0,8	3,35	2	<b>88706776</b>

ITEM	MATERIAL	A (mm)	D (mm)	KG/PC.	PACKAGE	PROD. CODE
PKP-KRP 50	■ Rf*H4	50	0,6	0,22	2	*
PKP-KRP 100	■ Rf*H4	100	0,6	0,30	2	*
PKP-KRP 200	■ Rf*H4	200	0,6	0,75	2	*
PKP-KRP 300	■ Rf*H4	300	0,6	0,93	2	*
PKP-KRP 400	■ Rf*H4	400	0,6	1,38	2	*
PKP-KRP 500	■ Rf*H4	500	0,6	2,49	2	*
PKP-KRP 600	■ Rf*H4	600	0,6	2,90	2	*

ITEM	MATERIAL	A (mm)	D (mm)	KG/PC.	PACKAGE	PROD. CODE
PKP-KRP 50	■ FeZn-PVC	50	0,6	0,24	2	*
PKP-KRP 100	■ FeZn-PVC	100	0,6	0,33	2	<b>88703356*</b>
PKP-KRP 200	■ FeZn-PVC	200	0,6	0,82	2	<b>88703357*</b>
PKP-KRP 300	■ FeZn-PVC	300	0,6	1,03	2	<b>88703358*</b>
PKP-KRP 400	■ FeZn-PVC	400	0,6	1,52	2	<b>88703359*</b>
PKP-KRP 500	■ FeZn-PVC	500	0,6	2,74	2	<b>88703360*</b>
PKP-KRP 600	■ FeZn-PVC	600	0,6	3,19	2	*



## >> Cable trays KP 100



### PKP-OE 100/- Add-on tee

The add-on tee is designed for vertical and horizontal branches. The mounting is carried out with **PPKP M6x12** (8x) connection bolts and **PPKP M6** (8x) flange nuts.

ITEM	MATERIAL	H (mm)	A (mm)	D (mm)	PACKAGE	PROD. CODE
PKP-OE 100/100	■ FeZn	100	100	0,8	2	<b>88701351</b>
PKP-OE 100/200	■ FeZn	100	200	0,8	2	<b>88701352</b>
PKP-OE 100/300	■ FeZn	100	300	0,8	2	<b>88701353</b>
PKP-OE 100/400	■ FeZn	100	400	0,8	2	<b>88701354</b>
PKP-OE 100/500	■ FeZn	100	500	0,8	2	<b>88701355</b>
PKP-OE 100/600	■ FeZn	100	600	0,8	2	<b>88701356</b>

ITEM	MATERIAL	H (mm)	A (mm)	D (mm)	PACKAGE	PROD. CODE
PKP-OE 100/100	■ Rf	100	100	0,8	2	<b>88702451</b>
PKP-OE 100/200	■ Rf	100	200	0,8	2	<b>88702452</b>
PKP-OE 100/300	■ Rf	100	300	0,8	2	<b>88702453</b>
PKP-OE 100/400	■ Rf	100	400	0,8	2	<b>88702454</b>
PKP-OE 100/500	■ Rf	100	500	0,8	2	<b>88702455</b>
PKP-OE 100/600	■ Rf	100	600	0,8	2	<b>88702456</b>

ITEM	MATERIAL	H (mm)	A (mm)	D (mm)	PACKAGE	PROD. CODE
PKP-OE 100/100	■ FeZn-H	100	100	0,8	2	<b>88706931</b>
PKP-OE 100/200	■ FeZn-H	100	200	0,8	2	<b>88706932</b>
PKP-OE 100/300	■ FeZn-H	100	300	0,8	2	<b>88706933</b>
PKP-OE 100/400	■ FeZn-H	100	400	0,8	2	<b>88706934</b>
PKP-OE 100/500	■ FeZn-H	100	500	0,8	2	<b>88706935</b>
PKP-OE 100/600	■ FeZn-H	100	600	0,8	2	<b>88706936</b>

## >> Cable trays KP 100

### PKP-OEP Add-on tee cover

Attachment by click system.

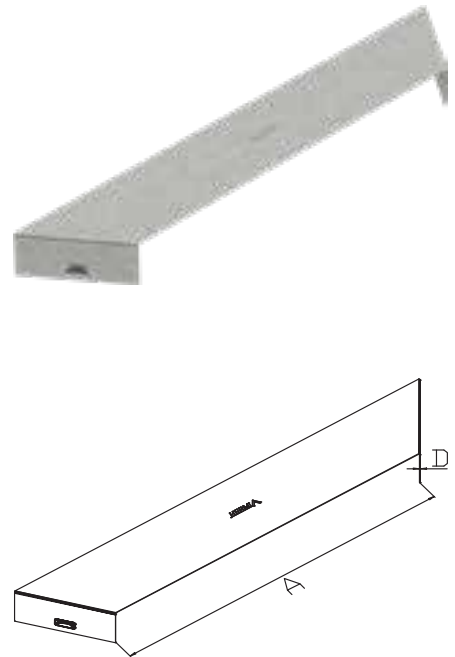
ITEM	MATERIAL	A (mm)	D (mm)	KG/PC.	PACKAGE	PROD. CODE
PKP-OEP 50	■ FeZn	50	0,6	0,06	2	<b>88701238</b>
PKP-OEP 100	■ FeZn	100	0,6	0,10	2	<b>88701177</b>
PKP-OEP 200	■ FeZn	200	0,6	0,11	2	<b>88701178</b>
PKP-OEP 300	■ FeZn	300	0,6	0,14	2	<b>88701179</b>
PKP-OEP 400	■ FeZn	400	0,6	0,17	2	<b>88701180</b>
PKP-OEP 500	■ FeZn	500	0,6	0,19	2	<b>88701183</b>
PKP-OEP 600	■ FeZn	600	0,6	0,23	2	<b>88701239</b>

ITEM	MATERIAL	A (mm)	D (mm)	KG/PC.	PACKAGE	PROD. CODE
PKP-OEP 50	■ Rf	50	0,6	0,06	2	<b>88702338</b>
PKP-OEP 100	■ Rf	100	0,6	0,10	2	<b>88702277</b>
PKP-OEP 200	■ Rf	200	0,6	0,11	2	<b>88702278</b>
PKP-OEP 300	■ Rf	300	0,6	0,14	2	<b>88702279</b>
PKP-OEP 400	■ Rf	400	0,6	0,17	2	<b>88702280</b>
PKP-OEP 500	■ Rf	500	0,6	0,19	2	<b>88702283</b>
PKP-OEP 600	■ Rf	600	0,6	0,23	2	<b>88702339</b>

ITEM	MATERIAL	A (mm)	D (mm)	KG/PC.	PACKAGE	PROD. CODE
PKP-OEP 50	■ FeZn-H	50	0,8	0,07	2	<b>88706783</b>
PKP-OEP 100	■ FeZn-H	100	0,8	0,11	2	<b>88706777</b>
PKP-OEP 200	■ FeZn-H	200	0,8	0,12	2	<b>88706778</b>
PKP-OEP 300	■ FeZn-H	300	0,8	0,16	2	<b>88706779</b>
PKP-OEP 400	■ FeZn-H	400	0,8	0,20	2	<b>88706780</b>
PKP-OEP 500	■ FeZn-H	500	0,8	0,22	2	<b>88706781</b>
PKP-OEP 600	■ FeZn-H	600	0,8	0,26	2	<b>88706782</b>

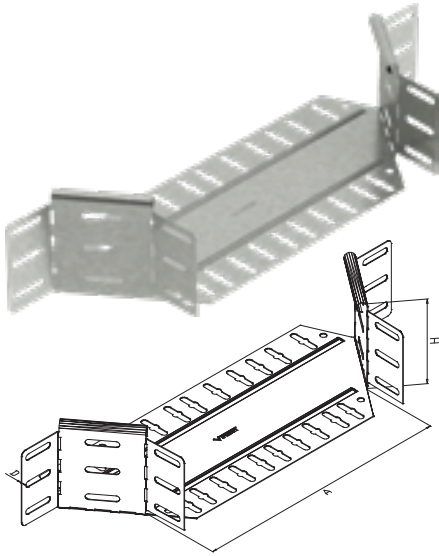
ITEM	MATERIAL	A (mm)	D (mm)	KG/PC.	PACKAGE	PROD. CODE
PKP-OEP 50	■ Rf*H4	50	0,6	0,06	2	*
PKP-OEP 100	■ Rf*H4	100	0,6	0,10	2	<b>88704477*</b>
PKP-OEP 200	■ Rf*H4	200	0,6	0,11	2	<b>88704478*</b>
PKP-OEP 300	■ Rf*H4	300	0,6	0,14	2	<b>88704479*</b>
PKP-OEP 400	■ Rf*H4	400	0,6	0,17	2	<b>88704480*</b>
PKP-OEP 500	■ Rf*H4	500	0,6	0,19	2	<b>88704483*</b>
PKP-OEP 600	■ Rf*H4	600	0,6	0,23	2	*

ITEM	MATERIAL	A (mm)	D (mm)	KG/PC.	PACKAGE	PROD. CODE
PKP-OEP 50	■ FeZn-PVC	50	0,6	0,07	2	*
PKP-OEP 100	■ FeZn-PVC	100	0,6	0,10	2	<b>88703377*</b>
PKP-OEP 200	■ FeZn-PVC	200	0,6	0,18	2	<b>88703378*</b>
PKP-OEP 300	■ FeZn-PVC	300	0,6	0,15	2	<b>88703379*</b>
PKP-OEP 400	■ FeZn-PVC	400	0,6	0,19	2	<b>88703380*</b>
PKP-OEP 500	■ FeZn-PVC	500	0,6	0,21	2	<b>88703383*</b>
PKP-OEP 600	■ FeZn-PVC	600	0,6	0,25	2	*



\* upon request

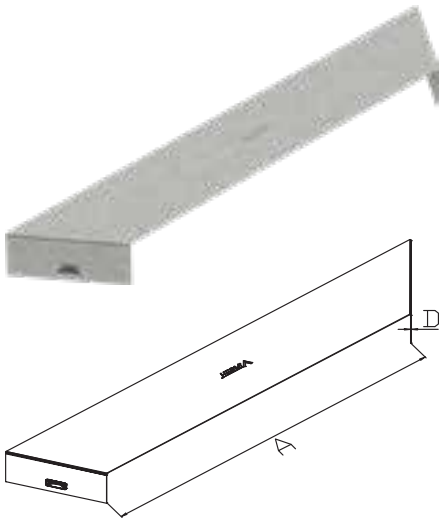
## >> Cable trays KP 100



### PKP-OE 100/- Add-on tee

The add-on tee is designed for **vertical and horizontal branches**. The mounting is carried out with **PPKP M6x12 (8x)** connection bolts and **PPKP M6 (8x)** flange nuts.

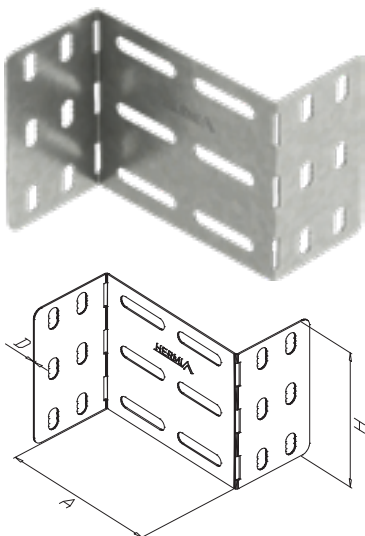
ITEM	MATERIAL	H (mm)	A (mm)	D (mm)	PACKAGE	PROD. CODE
PKP-OE 100/100	■ FeZn	100	100	1,5	2	<b>88701411</b>
PKP-OE 100/200	■ FeZn	100	200	1,5	2	<b>88701412</b>
PKP-OE 100/300	■ FeZn	100	300	1,5	2	<b>88701413</b>
PKP-OE 100/400	■ FeZn	100	400	1,5	2	<b>88701414</b>
PKP-OE 100/500	■ FeZn	100	500	1,5	2	<b>88701415</b>
PKP-OE 100/600	■ FeZn	100	600	1,5	2	<b>88701416</b>



### PKP-OEP Add-on tee cover

Attachment with PKP-SP1 cover clamp.

ITEM	MATERIAL	A (mm)	D (mm)	PACKAGE	PROD. CODE
PKP-OEP 50	■ FeZn	50	1,5	2	<b>88701421</b>
PKP-OEP 100	■ FeZn	100	1,5	2	<b>88701422</b>
PKP-OEP 200	■ FeZn	200	1,5	2	<b>88701423</b>
PKP-OEP 300	■ FeZn	300	1,5	2	<b>88701424</b>
PKP-OEP 400	■ FeZn	400	1,5	2	<b>88701425</b>
PKP-OEP 500	■ FeZn	500	1,5	2	<b>88701426</b>
PKP-OEP 600	■ FeZn	600	1,5	2	<b>88701421</b>



### PKP-ZRE 100/- »Z« reduction element

With **PKP-ZRE 100/AB/100** reduction element we reduce the width for A/B (mm) = 100 mm (e.g. from cable tray of 200 mm of width to 100 mm). With **PKP-ZRE 100/AB/200** reduction element we reduce the width for A/B (mm) = 200 mm (e.g. from cable tray of 500 mm of width to 300 mm). The mounting is carried out with **PPKP M6x12 (8x)** connection bolts and **PPKP M6 (8x)** flange nuts.

ITEM	MATERIAL	H (mm)	A/B (mm)	D (mm)	KG/PC.	PACKAGE	PROD. CODE
PKP-ZRE 100/AB/100	■ FeZn	100	100	0,8	0,11	100	<b>88701197</b>
PKP-ZRE 100/AB/200	■ FeZn	100	200	0,8	0,14	100	<b>88701198</b>

ITEM	MATERIAL	H (mm)	A/B (mm)	D (mm)	KG/PC.	PACKAGE	PROD. CODE
PKP-ZRE 100/AB/100	■ Rf	100	100	0,8	0,11	100	<b>88702297</b>
PKP-ZRE 100/AB/200	■ Rf	100	200	0,8	0,14	100	<b>88702298</b>

ITEM	MATERIAL	H (mm)	A/B (mm)	D (mm)	KG/PC.	PACKAGE	PROD. CODE
PKP-ZRE 100/AB/100	■ FeZn-H	100	100	0,8	0,12	100	<b>88706707</b>
PKP-ZRE 100/AB/200	■ FeZn-H	100	200	0,8	0,15	100	<b>88706708</b>

\* upon request



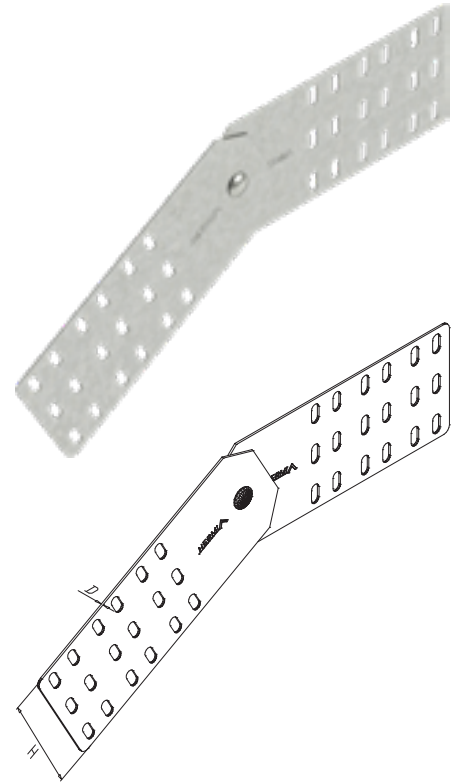


## >> Cable trays KP 100

### PKP-GS 100 Flexible coupling element

The mounting is carried out with **PPKP M6x12** (8x) connection bolts and **PPKP M6** (8x) flange nuts.

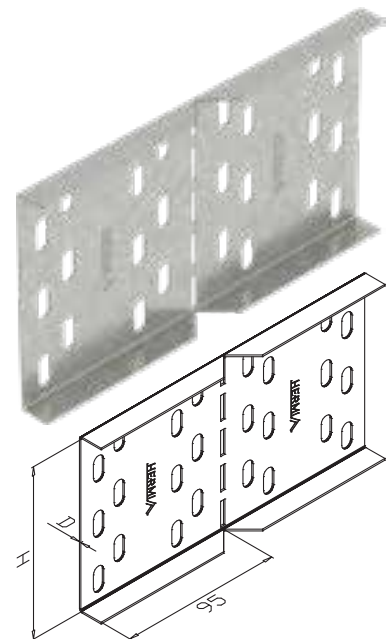
ITEM	MATERIAL	H (mm)	D (mm)	KG/PC.	PACKAGE	PROD. CODE
PKP-GS 100	■ FeZn	100	1,5	0,39	50	<b>88701385</b>
PKP-GS 100	■ Rf	100	1,5	0,39	50	<b>88702485</b>
PKP-GS 100	■ FeZn-H	100	1,5	0,43	50	<b>88706799</b>



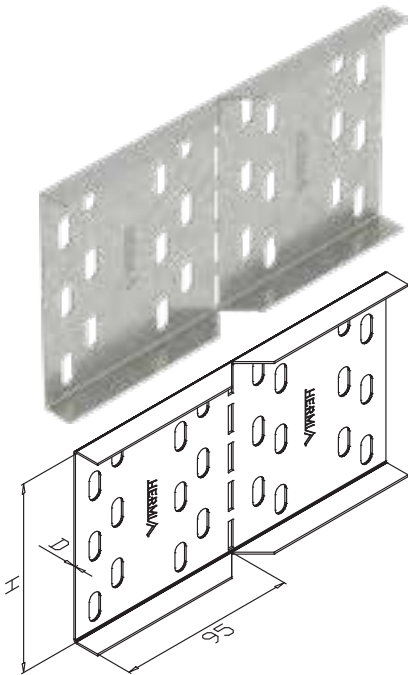
### PKP-GSH 100 Horizontal flexible joint

The horizontal flexible PKL-GSH joint is designed for joining KP cable trays and is mounted on the outside of the cable tray with **PPKP M6x12** (8x) connection bolts and **PPKP M6** (8x) flange nuts. For joining two cable trays, **2 pcs PKP-GSH 100** are required.

ITEM	MATERIAL	H (mm)	D (mm)	PACKAGE	PROD. CODE
PKP-GSH 100	■ FeZn	100	1,0	50	<b>88701393</b>
PKP-GSH 100	■ Rf	100	1,0	50	<b>88702493</b>
PKP-GSH 100	■ FeZn-H	100	1,0	50	<b>88718909</b>



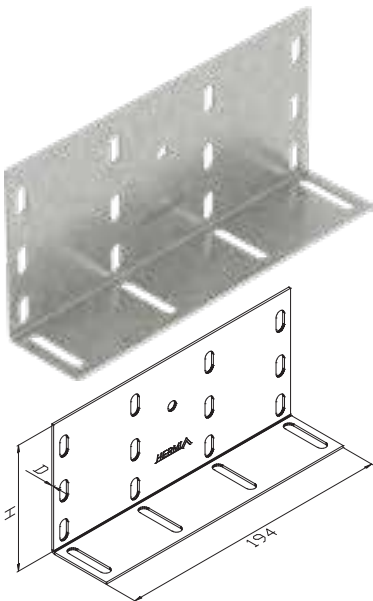
## >> Cable trays KP 100



### PKP-GSH 100 Horizontal flexible joint

The horizontal flexible PKL-GSH joint is designed for joining KP cable trays and is mounted on the outside of the cable tray with **PPKP M6x12 (8x)** connection bolts and **PPKP M6 (8x)** flange nuts. For joining two cable trays, **2 pcs PKP-GSH 100** are required.

ITEM	MATERIAL	H (mm)	D (mm)	PACKAGE	PROD. CODE
PKP-GSH 100	■ FeZn	100	1,5	50	<b>88701392</b>
PKP-GSH 100	■ Rf	100	1,5	50	<b>88702492</b>
PKP-GSH 100	■ FeZn-H	100	1,5	50	<b>88718908</b>



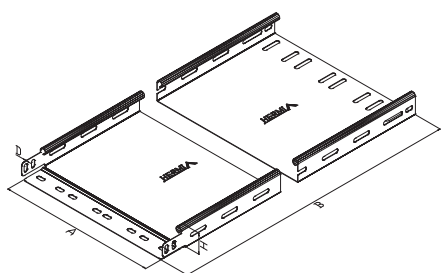
### PKP-FS 100 Fixed coupling element

The mounting is carried out with **PPKP M6x12 (8x)** connection bolts and **PPKP M6 (8x)** flange nuts.

ITEM	MATERIAL	H (mm)	D (mm)	KG/PC.	PACKAGE	PROD. CODE
PKP-FS 100	■ FeZn	100	1,5	0,28	50	<b>88701384</b>
PKP-FS 100	■ Rf	100	1,5	0,28	50	<b>88702484</b>
PKP-FS 100	■ FeZn-H	100	1,5	0,31	50	<b>88706798</b>



# Non-perforated cable trays



## KPU 40/- Non-perforated cable trays; L= 2000 mm; H= 40 mm; Class: N

Non-perforated cable trays of **40 mm** in height and of various widths, made of galvanised sheet metal or stainless steel, optionally powder painted in the desired colour. In the basic cable tray version, the boreholes/perforations are only designed for joints and covers of cable trays. On request, different versions (e.g. without boreholes/perforations) can be made. The length of an individual cable tray is **2,0 m**. Cable trays are mounted to the wall or ceiling with the appropriate NKP brackets. Joining cable trays together without additional fixing elements is carried out with **PPKP M6x12** (4x-8x) connection bolts and **PPKP M6** (4x-8x) flange nuts.

ITEM	MATERIAL	H (mm)	A (mm)	B (mm)	D (mm)	PACKAGE	PROD. CODE
KPU 40/50	■ FeZn	40	50	2000	0,6	10	<b>88720040</b>
KPU 40/100	■ FeZn	40	100	2000	0,6	6	<b>88720041</b>
KPU 40/200	■ FeZn	40	200	2000	0,6	4	<b>88720042</b>
KPU 40/300	■ FeZn	40	300	2000	0,8	4	<b>88720043</b>
KPU 40/400	■ FeZn	40	400	2000	0,8	2	<b>88720044</b>
KPU 40/500	■ FeZn	40	500	2000	0,8	2	<b>88720045</b>
KPU 40/600	■ FeZn	40	600	2000	0,8	2	<b>88720046</b>

ITEM	MATERIAL	H (mm)	A (mm)	B (mm)	D (mm)	PACKAGE	PROD. CODE
KPU 40/50	■ Rf	40	50	2000	0,6	10	<b>88722040</b>
KPU 40/100	■ Rf	40	100	2000	0,6	6	<b>88722041</b>
KPU 40/200	■ Rf	40	200	2000	0,6	4	<b>88722042</b>
KPU 40/300	■ Rf	40	300	2000	0,8	4	<b>88722043</b>
KPU 40/400	■ Rf	40	400	2000	0,8	2	<b>88722044</b>
KPU 40/500	■ Rf	40	500	2000	0,8	2	<b>88722045</b>
KPU 40/600	■ Rf	40	600	2000	0,8	2	<b>88722046</b>

ITEM	MATERIAL	H (mm)	A (mm)	B (mm)	D (mm)	PACKAGE	PROD. CODE
KPU 40/50	■ FeZn-H	40	50	2000	0,8	10	<b>88726040</b>
KPU 40/100	■ FeZn-H	40	100	2000	0,8	6	<b>88726041</b>
KPU 40/200	■ FeZn-H	40	200	2000	0,8	4	<b>88726042</b>
KPU 40/300	■ FeZn-H	40	300	2000	0,8	4	<b>88726043</b>
KPU 40/400	■ FeZn-H	40	400	2000	0,8	2	<b>88726044</b>
KPU 40/500	■ FeZn-H	40	500	2000	0,8	2	<b>88726045</b>
KPU 40/600	■ FeZn-H	40	600	2000	0,8	2	<b>88726046</b>

\* upon request

## >> Non-perforated cable trays

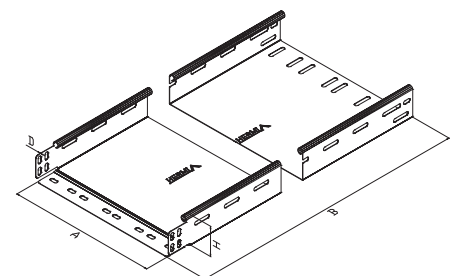
### KPU 60/- Non-perforated cable trays; L= 2000 mm; H= 60 mm; Class: N

Non-perforated cable trays of **60 mm** in height and of various widths, made of galvanised sheet metal or stainless steel, optionally powder painted in the desired colour. In the basic cable tray version, the boreholes/perforations are only designed for joints and covers of cable trays. On request, different versions (e.g. without boreholes/perforations) can be made. The length of an individual cable tray is **2,0 m**. Cable trays are mounted to the wall or ceiling with the appropriate NKP brackets. Joining cable trays together without additional fixing elements is carried out with **PPKP M6x12** (4x-8x) connection bolts and **PPKP M6** (4x-8x) flange nuts.

ITEM	MATERIAL	H (mm)	A (mm)	B (mm)	D (mm)	KG/PC.	PACKAGE	PROD. CODE
KPU 60/50	■ FeZn	60	50	2000	0,6	1,80	10	<b>88720000</b>
KPU 60/100	■ FeZn	60	100	2000	0,6	2,20	6	<b>88720001</b>
KPU 60/150	■ FeZn	60	150	2000	0,6	2,60	4	<b>88720009</b>
KPU 60/200	■ FeZn	60	200	2000	0,6	3,10	4	<b>88720002</b>
KPU 60/300	■ FeZn	60	300	2000	0,8	5,00	4	<b>88720003</b>
KPU 60/400	■ FeZn	60	400	2000	0,8	6,70	2	<b>88720004</b>
KPU 60/500	■ FeZn	60	500	2000	0,8	8,30	2	<b>88720005</b>
KPU 60/600	■ FeZn	60	600	2000	0,8	9,60	2	<b>88720006</b>

ITEM	MATERIAL	H (mm)	A (mm)	B (mm)	D (mm)	KG/PC.	PACKAGE	PROD. CODE
KPU 60/50	■ Rf	60	50	2000	0,6	1,80	10	<b>88722000</b>
KPU 60/100	■ Rf	60	100	2000	0,6	2,20	6	<b>88722001</b>
KPU 60/200	■ Rf	60	200	2000	0,6	3,10	4	<b>88722002</b>
KPU 60/300	■ Rf	60	300	2000	0,8	5,00	4	<b>88722003</b>
KPU 60/400	■ Rf	60	400	2000	0,8	6,70	2	<b>88722004</b>
KPU 60/500	■ Rf	60	500	2000	0,8	8,30	2	<b>88722005</b>
KPU 60/600	■ Rf	60	600	2000	0,8	9,60	2	<b>88722006</b>

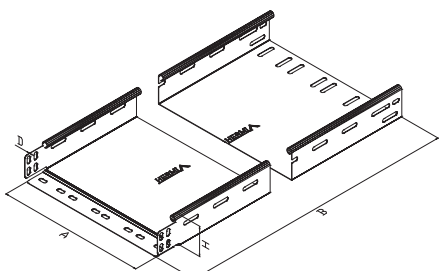
ITEM	MATERIAL	H (mm)	A (mm)	B (mm)	D (mm)	KG/PC.	PACKAGE	PROD. CODE
KPU 60/50	■ FeZn-H	60	50	2000	0,8	2,70	10	<b>88700570</b>
KPU 60/100	■ FeZn-H	60	100	2000	0,8	3,30	6	<b>88700571</b>
KPU 60/200	■ FeZn-H	60	200	2000	0,8	4,70	4	<b>88700572</b>
KPU 60/300	■ FeZn-H	60	300	2000	0,8	6,00	4	<b>88700573</b>
KPU 60/400	■ FeZn-H	60	400	2000	0,8	7,40	2	<b>88700574</b>
KPU 60/500	■ FeZn-H	60	500	2000	0,8	9,10	2	<b>88700575</b>
KPU 60/600	■ FeZn-H	60	600	2000	0,8	10,50	2	<b>88700576</b>



## >> Non-perforated cable trays

### KPU 60/- Non-perforated cable trays; L= 3000 mm; H= 60 mm; Class: N

Non-perforated cable trays of **60 mm** in height and of various widths, made of galvanised sheet metal or stainless steel, optionally powder painted in the desired colour. In the basic cable tray version, the boreholes/perforations are only designed for joints and covers of cable trays. On request, different versions (e.g. without boreholes/perforations) can be made. The length of an individual cable tray is **3,0 m**. Cable trays are mounted to the wall or ceiling with the appropriate NKP brackets. Joining cable trays together without additional fixing elements is carried out with **PPKP M6x12** (4x-8x) connection bolts and **PPKP M6** (4x-8x) flange nuts.



ITEM	MATERIAL	H (mm)	A (mm)	B (mm)	D (mm)	KG/PC.	PACKAGE	PROD. CODE
KPU 60/50	■ FeZn	60	50	3000	0,6	2,60	6	<b>88720080</b>
KPU 60/100	■ FeZn	60	100	3000	0,6	3,30	6	<b>88725001</b>
KPU 60/200	■ FeZn	60	200	3000	0,6	4,70	4	<b>88720082</b>
KPU 60/300	■ FeZn	60	300	3000	0,8	8,10	4	<b>88720083</b>
KPU 60/400	■ FeZn	60	400	3000	0,8	10,10	2	<b>88720084</b>
KPU 60/500	■ FeZn	60	500	3000	0,8	12,10	6	<b>88720085</b>
KPU 60/600	■ FeZn	60	600	3000	0,8	14,10	6	<b>88720086</b>

ITEM	MATERIAL	H (mm)	A (mm)	B (mm)	D (mm)	KG/PC.	PACKAGE	PROD. CODE
KPU 60/50	■ Rf	60	50	3000	0,6	2,60	6	*
KPU 60/100	■ Rf	60	100	3000	0,6	3,30	6	*
KPU 60/200	■ Rf	60	200	3000	0,6	4,70	4	*
KPU 60/300	■ Rf	60	300	3000	0,8	8,10	4	*
KPU 60/400	■ Rf	60	400	3000	0,8	10,10	2	*
KPU 60/500	■ Rf	60	500	3000	0,8	12,10	2	*
KPU 60/600	■ Rf	60	600	3000	0,8	14,10	2	*

ITEM	MATERIAL	H (mm)	A (mm)	B (mm)	D (mm)	KG/PC.	PACKAGE	PROD. CODE
KPU 60/50	■ FeZn-H	60	50	3000	0,8	3,30	6	*
KPU 60/100	■ FeZn-H	60	100	3000	0,8	4,20	6	*
KPU 60/200	■ FeZn-H	60	200	3000	0,8	6,50	4	*
KPU 60/300	■ FeZn-H	60	300	3000	0,8	8,90	4	*
KPU 60/400	■ FeZn-H	60	400	3000	0,8	11,10	2	*
KPU 60/500	■ FeZn-H	60	500	3000	0,8	13,30	2	*
KPU 60/600	■ FeZn-H	60	600	3000	0,8	15,50	2	*

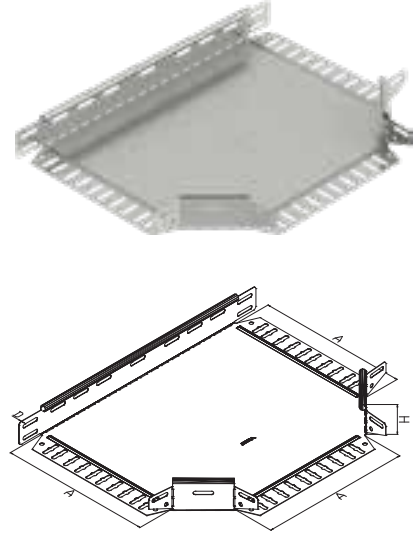
\* upon request

## >> Non-perforated cable trays

### PKPU-SO 60/- Side branch

The mounting is carried out with **PPKP M6x12** (8x) connection bolts and **PPKP M6** (8x) flange nuts. Upon order available also in Rf and FeZn-H.

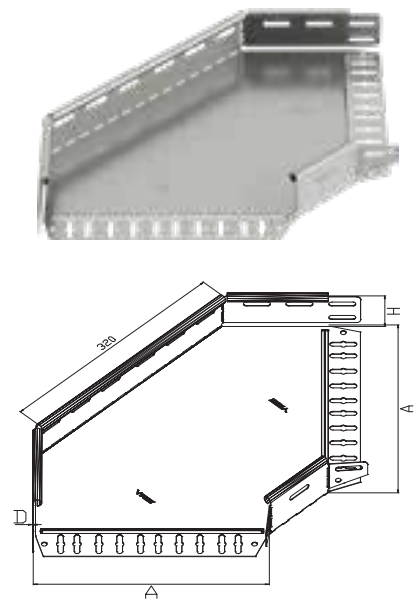
ITEM	MATERIAL	H (mm)	A (mm)	D (mm)	PACKAGE	PROD. CODE
PKPU-SO 60/50	■ FeZn	60	50	0,8	2	<b>88701510</b>
PKPU-SO 60/100	■ FeZn	60	100	0,8	2	<b>88701511</b>
PKPU-SO 60/200	■ FeZn	60	200	0,8	2	<b>88701512</b>
PKPU-SO 60/300	■ FeZn	60	300	0,8	2	<b>88701513</b>
PKPU-SO 60/400	■ FeZn	60	400	0,8	2	<b>88701514</b>
PKPU-SO 60/500	■ FeZn	60	500	0,8	2	<b>88701515</b>
PKPU-SO 60/600	■ FeZn	60	600	0,8	2	<b>88701516</b>



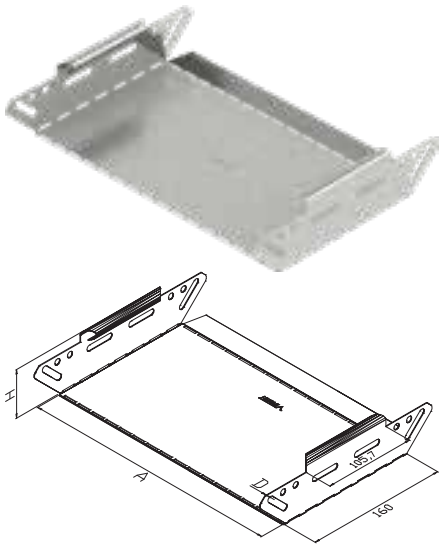
### PKPU-KO 60/- Truncated elbow 90°

The mounting is carried out with **PPKP M6x12** (8x) connection bolts and **PPKP M6** (8x) flange nuts. Upon order available also in Rf and FeZn-H.

ITEM	MATERIAL	H (mm)	A (mm)	D (mm)	PACKAGE	PROD. CODE
PKPU-KO 60/50/90°	■ FeZn	60	50	0,8	2	<b>88701520</b>
PKPU-KO 60/100/90°	■ FeZn	60	100	0,8	2	<b>88701521</b>
PKPU-KO 60/200/90°	■ FeZn	60	200	0,8	2	<b>88701522</b>
PKPU-KO 60/300/90°	■ FeZn	60	300	0,8	2	<b>88701523</b>
PKPU-KO 60/400/90°	■ FeZn	60	400	0,8	2	<b>88701524</b>
PKPU-KO 60/500/90°	■ FeZn	60	500	0,8	2	<b>88701525</b>
PKPU-KO 60/600/90°	■ FeZn	60	600	0,8	2	<b>88701526</b>



## >> Non-perforated cable trays



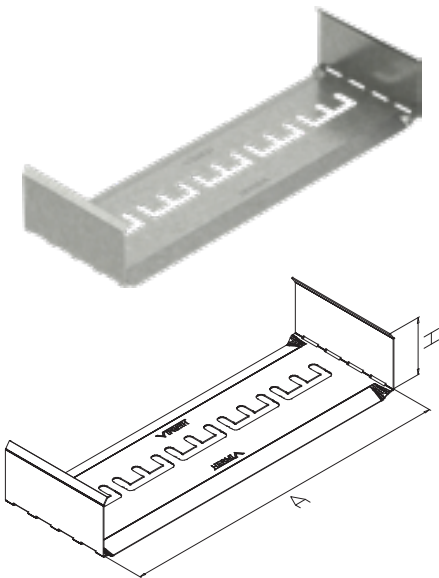
### PKPU-NK 60/- Internal elbow 90°

The mounting is carried out with **PPKP M6x12** (8x) connection bolts and **PPKP M6** (8x) flange nuts. Upon order available also in Rf and FeZn-H.

ITEM	MATERIAL	H (mm)	A (mm)	D (mm)	PACKAGE	PROD. CODE
PKPU-NK 60/50	■ FeZn	60	50	0,8	2	<b>88701530</b>
PKPU-NK 60/100	■ FeZn	60	100	0,8	2	<b>88701531</b>
PKPU-NK 60/200	■ FeZn	60	200	0,8	2	<b>88701532</b>
PKPU-NK 60/300	■ FeZn	60	300	0,8	2	<b>88701533</b>
PKPU-NK 60/400	■ FeZn	60	400	0,8	2	<b>88701534</b>
PKPU-NK 60/500	■ FeZn	60	500	0,8	2	<b>88701535</b>
PKPU-NK 60/600	■ FeZn	60	600	0,8	2	<b>88701536</b>

### PKP-PEK 60/-

For attaching electrical cables in cable trays with ties. Designed for HERMI® cable trays without perforations.



ITEM	MATERIAL	H (mm)	A (mm)	KG/PC.	PACKAGE	PROD. CODE
PKP-PEK 60/100	■ FeZn	60	100	0,12	2	<b>88701401</b>
PKP-PEK 60/200	■ FeZn	60	200	0,15	2	<b>88701402</b>
PKP-PEK 60/300	■ FeZn	60	300	0,19	2	<b>88701403</b>
PKP-PEK 60/400	■ FeZn	60	400	0,26	2	<b>88701404</b>
PKP-PEK 60/500	■ FeZn	60	500	0,33	2	<b>88701405</b>
PKP-PEK 60/600	■ FeZn	60	600	0,40	2	<b>88701406</b>

ITEM	MATERIAL	H (mm)	A (mm)	KG/PC.	PACKAGE	PROD. CODE
PKP-PEK 60/100	■ Rf	60	100	0,12	2	<b>88702501</b>
PKP-PEK 60/200	■ Rf	60	200	0,15	2	<b>88702502</b>
PKP-PEK 60/300	■ Rf	60	300	0,19	2	<b>88702503</b>
PKP-PEK 60/400	■ Rf	60	400	0,26	2	<b>88702504</b>
PKP-PEK 60/500	■ Rf	60	500	0,33	2	<b>88702505</b>
PKP-PEK 60/600	■ Rf	60	600	0,40	2	<b>88702506</b>
PKP-PEK 60/700	■ Rf	60	700	0,48	2	<b>88702507</b>
PKP-PEK 60/800	■ Rf	60	800	0,56	2	<b>88702508</b>
PKP-PEK 60/900	■ Rf	60	900	0,70	2	<b>88702509</b>

ITEM	MATERIAL	H (mm)	A (mm)	KG/PC.	PACKAGE	PROD. CODE
PKP-PEK 60/100	■ FeZn-H	60	100	0,12	2	<b>88706941</b>
PKP-PEK 60/200	■ FeZn-H	60	200	0,15	2	<b>88706942</b>
PKP-PEK 60/300	■ FeZn-H	60	300	0,19	2	<b>88706943</b>
PKP-PEK 60/400	■ FeZn-H	60	400	0,26	2	<b>88706944</b>
PKP-PEK 60/500	■ FeZn-H	60	500	0,33	2	<b>88706945</b>
PKP-PEK 60/600	■ FeZn-H	60	600	0,40	2	<b>88706946</b>
PKP-PEK 60/700	■ FeZn-H	60	700	0,48	2	<b>88706947</b>
PKP-PEK 60/800	■ FeZn-H	60	800	0,56	2	<b>88706948</b>
PKP-PEK 60/900	■ FeZn-H	60	900	0,70	2	<b>88706949</b>

\* upon request

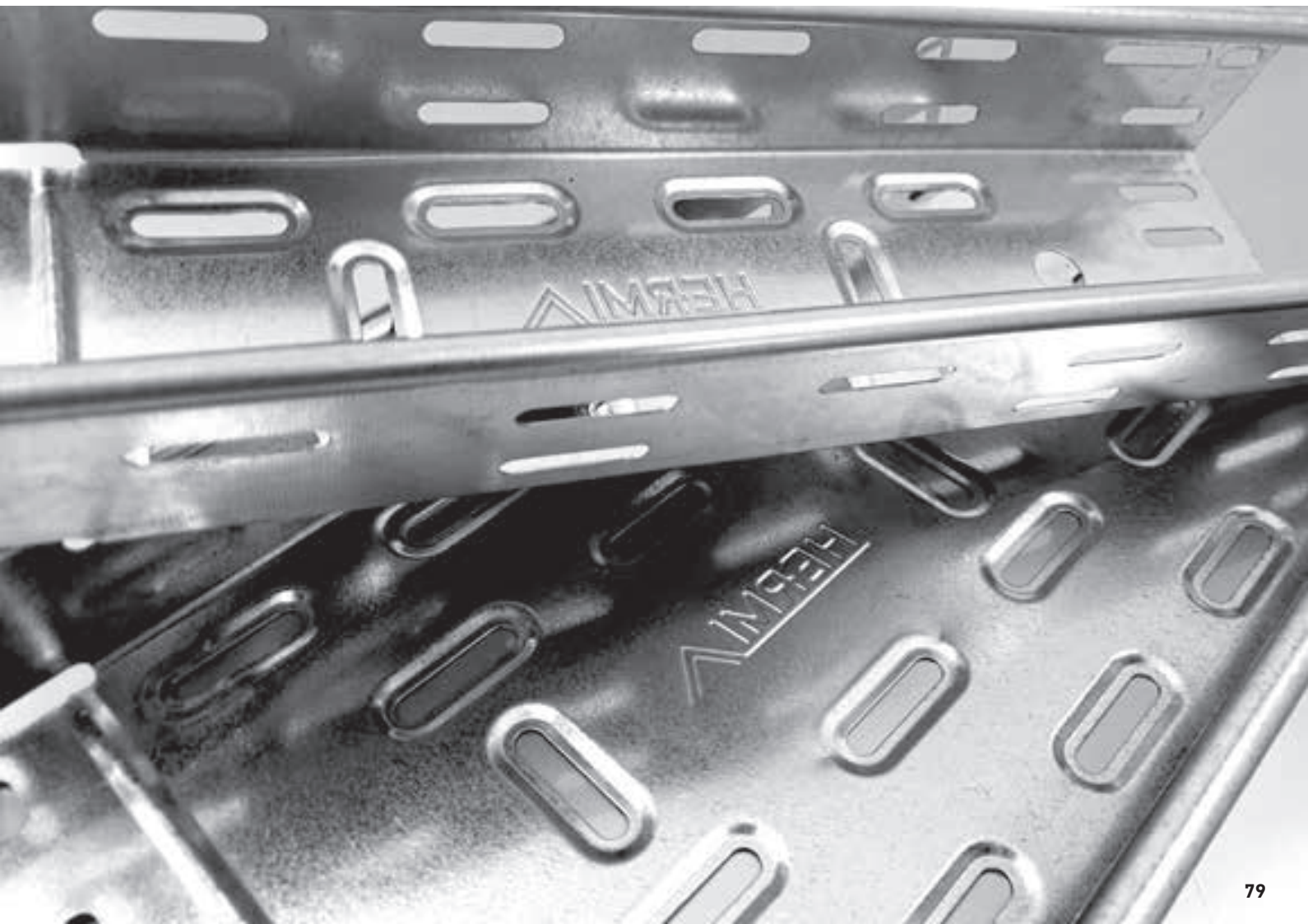
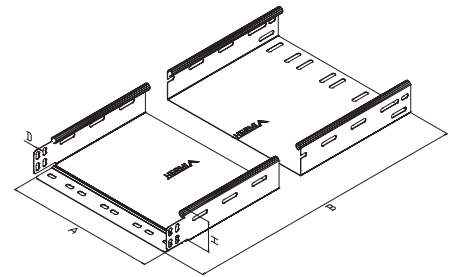


## >> Non-perforated cable trays

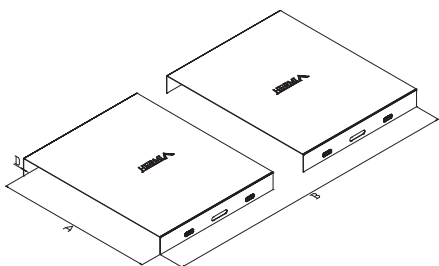
### KPU 100/- Non-perforated cable trays; L= 2000 mm; H= 100 mm; Class: N

Non-perforated cable trays of **100 mm** in height and of various widths, made of galvanised sheet metal. In the basic cable tray version, the boreholes/perforations are only designed for joints and covers of cable trays. On request, different versions (e.g. without boreholes/perforations) can be made. The length of an individual cable tray is **2,0 m**. Cable trays are mounted to the wall or ceiling with the appropriate **NKP** brackets. Joining cable trays together without additional fixing elements is carried out with **PPKP M6x12** (4x-8x) connection bolts and **PPKP M6** (4x-8x) flange nuts.

ITEM	MATERIAL	H (mm)	A (mm)	B (mm)	D (mm)	KG/PC.	PACKAGE	PROD. CODE
KPU 100/100	■ FeZn	100	100	2000	0,8	4,00	4	<b>88720071</b>
KPU 100/200	■ FeZn	100	200	2000	0,8	5,20	4	<b>88720072</b>
KPU 100/300	■ FeZn	100	300	2000	0,8	6,50	2	<b>88720073</b>
KPU 100/400	■ FeZn	100	400	2000	0,8	7,60	2	<b>88720074</b>
KPU 100/500	■ FeZn	100	500	2000	0,8	11,10	2	<b>88720075</b>
KPU 100/600	■ FeZn	100	600	2000	0,8	14,60	2	<b>88720076</b>



# Cable tray covers



## KP-P Cable tray cover; L= 2000 mm; Class: N

The cable tray cover is designed to protect cables in the cable tray against dirt and external influences. The cable tray cover is attached to the cable tray with PKP-SP1 cover clamp.

ITEM	MATERIAL	A (mm)	B (mm)	D (mm)	KG/PC.	PACKAGE	PROD. CODE
KP-P 50	■ FeZn	50	2000	0,6	1,10	10	<b>88700150</b>
KP-P 100	■ FeZn	100	2000	0,6	1,58	6	<b>88700151</b>
KP-P 150	■ FeZn	150	2000	0,6	1,89	6	<b>88700519</b>
KP-P 200	■ FeZn	200	2000	0,6	2,50	6	<b>88700152</b>
KP-P 300	■ FeZn	300	2000	0,6	3,45	4	<b>88700153</b>
KP-P 400	■ FeZn	400	2000	0,6	4,30	4	<b>88700154</b>
KP-P 500	■ FeZn	500	2000	0,6	5,35	2	<b>88700155</b>
KP-P 600	■ FeZn	600	2000	0,6	6,40	2	<b>88700156</b>

ITEM	MATERIAL	A (mm)	B (mm)	D (mm)	KG/PC.	PACKAGE	PROD. CODE
KP-P 50	■ Rf	50	2000	0,6	1,10	10	<b>88700250</b>
KP-P 100	■ Rf	100	2000	0,6	1,58	6	<b>88700251</b>
KP-P 150	■ Rf	150	2000	0,6	1,89	6	<b>88700259</b>
KP-P 200	■ Rf	200	2000	0,6	2,50	6	<b>88700252</b>
KP-P 300	■ Rf	300	2000	0,6	3,45	4	<b>88700253</b>
KP-P 400	■ Rf	400	2000	0,6	4,30	4	<b>88700254</b>
KP-P 500	■ Rf	500	2000	0,6	5,35	2	<b>88700255</b>
KP-P 600	■ Rf	600	2000	0,6	6,40	2	<b>88700256</b>

ITEM	MATERIAL	A (mm)	B (mm)	D (mm)	KG/PC.	PACKAGE	PROD. CODE
KP-P 50	■ FeZn-H	50	2000	0,8	1,60	10	<b>88700650</b>
KP-P 100	■ FeZn-H	100	2000	0,8	2,20	6	<b>88700651</b>
KP-P 150	■ FeZn-H	150	2000	0,8	2,80	6	<b>88700659</b>
KP-P 200	■ FeZn-H	200	2000	0,8	3,40	6	<b>88700652</b>
KP-P 300	■ FeZn-H	300	2000	0,8	4,80	4	<b>88700653</b>
KP-P 400	■ FeZn-H	400	2000	0,8	6,30	4	<b>88700654</b>
KP-P 500	■ FeZn-H	500	2000	0,8	7,60	2	<b>88700655</b>
KP-P 600	■ FeZn-H	600	2000	0,8	9,00	2	<b>88700656</b>

ITEM	MATERIAL	A (mm)	B (mm)	D (mm)	KG/PC.	PACKAGE	PROD. CODE
KP-P 50	■ Rf*H4	50	2000	0,6	1,11	10	<b>88700450*</b>
KP-P 100	■ Rf*H4	100	2000	0,6	1,58	6	<b>88700451*</b>
KP-P 200	■ Rf*H4	200	2000	0,6	2,50	6	<b>88700452*</b>
KP-P 300	■ Rf*H4	300	2000	0,6	3,45	4	<b>88700453*</b>
KP-P 400	■ Rf*H4	400	2000	0,6	4,30	4	<b>88700454*</b>
KP-P 500	■ Rf*H4	500	2000	0,6	5,35	2	<b>88700455*</b>
KP-P 600	■ Rf*H4	600	2000	0,6	6,40	2	<b>88700456*</b>

ITEM	MATERIAL	A (mm)	B (mm)	D (mm)	KG/PC.	PACKAGE	PROD. CODE
KP-P 50	■ FeZn-PVC	50	2000	0,6	1,22	10	<b>88700350*</b>
KP-P 100	■ FeZn-PVC	100	2000	0,6	1,74	6	<b>88700351*</b>
KP-P 200	■ FeZn-PVC	200	2000	0,6	2,75	6	<b>88700352*</b>
KP-P 300	■ FeZn-PVC	300	2000	0,6	3,80	4	<b>88700353*</b>
KP-P 400	■ FeZn-PVC	400	2000	0,6	4,73	4	<b>88700354*</b>
KP-P 500	■ FeZn-PVC	500	2000	0,6	5,88	2	<b>88700355*</b>
KP-P 600	■ FeZn-PVC	600	2000	0,6	7,04	2	<b>88700356*</b>

\* upon request

## >> Cable tray covers

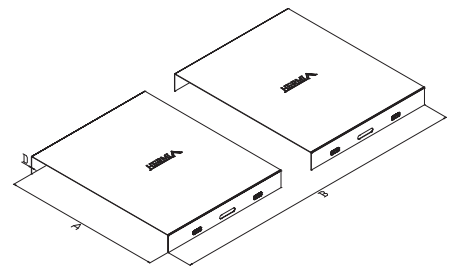
### KP-P Cable tray cover; L= 2000 mm; Class: M

The cable tray cover is designed to protect cables in the cable tray against dirt and external influences. The cable tray cover is attached to the cable tray with the click system.

ITEM	MATERIAL	A (mm)	B (mm)	D (mm)	KG/PC.	PACKAGE	PROD. CODE
KP-P 50	■ FeZn	50	2000	1,0	1,80	10	<b>88720150</b>
KP-P 100	■ FeZn	100	2000	1,0	2,66	6	<b>88720151</b>
KP-P 150	■ FeZn	150	2000	1,0	3,46	6	<b>88720159</b>
KP-P 200	■ FeZn	200	2000	1,0	4,26	6	<b>88720152</b>
KP-P 300	■ FeZn	300	2000	1,0	5,86	4	<b>88720153</b>
KP-P 400	■ FeZn	400	2000	1,0	7,46	4	<b>88720154</b>
KP-P 500	■ FeZn	500	2000	1,0	9,06	2	<b>88720155</b>
KP-P 600	■ FeZn	600	2000	1,0	10,66	2	<b>88720156</b>

ITEM	MATERIAL	A (mm)	B (mm)	D (mm)	KG/PC.	PACKAGE	PROD. CODE
KP-P 50	■ Rf	50	2000	1,0	1,80	10	<b>88722150</b>
KP-P 100	■ Rf	100	2000	1,0	2,66	6	<b>88722151</b>
KP-P 150	■ Rf	150	2000	1,0	3,46	6	<b>88722159</b>
KP-P 200	■ Rf	200	2000	1,0	4,26	6	<b>88722152</b>
KP-P 300	■ Rf	300	2000	1,0	5,86	4	<b>88722153</b>
KP-P 400	■ Rf	400	2000	1,0	7,46	4	<b>88722154</b>
KP-P 500	■ Rf	500	2000	1,0	9,06	2	<b>88722155</b>
KP-P 600	■ Rf	600	2000	1,0	10,66	2	<b>88722156</b>

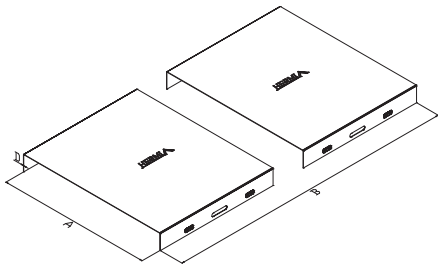
ITEM	MATERIAL	A (mm)	B (mm)	D (mm)	KG/PC.	PACKAGE	PROD. CODE
KP-P 50	■ FeZn-H	50	2000	1,0	1,98	10	<b>88700670</b>
KP-P 100	■ FeZn-H	100	2000	1,0	2,93	6	<b>88700671</b>
KP-P 150	■ FeZn-H	150	2000	1,0	3,81	6	<b>88700679</b>
KP-P 200	■ FeZn-H	200	2000	1,0	4,69	6	<b>88700672</b>
KP-P 300	■ FeZn-H	300	2000	1,0	6,45	4	<b>88700673</b>
KP-P 400	■ FeZn-H	400	2000	1,0	8,21	4	<b>88700674</b>
KP-P 500	■ FeZn-H	500	2000	1,0	9,97	2	<b>88700675</b>
KP-P 600	■ FeZn-H	600	2000	1,0	11,73	2	<b>88700676</b>



## >> Cable tray covers

### KP-P Cable tray cover; L= 2000 mm; Class: H

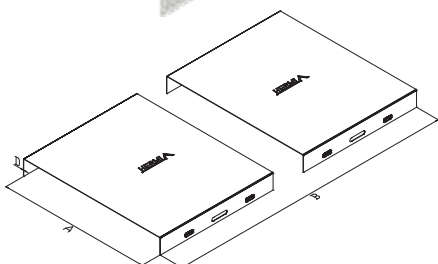
The cable tray cover is designed to protect cables in the cable tray against dirt and external influences. The cable tray cover is attached to the cable tray with the click system.



ITEM	MATERIAL	A (mm)	B (mm)	D (mm)	KG/PC.	PACKAGE	PROD. CODE
KP-P 50	■ FeZn	50	2000	1,5	2,10	6	<b>88720170</b>
KP-P 100	■ FeZn	100	2000	1,5	2,93	6	<b>88720171</b>
KP-P 150	■ FeZn	150	2000	1,5	5,50	4	<b>88720179</b>
KP-P 200	■ FeZn	200	2000	1,5	6,40	4	<b>88720172</b>
KP-P 300	■ FeZn	300	2000	1,5	7,64	2	<b>88720173</b>
KP-P 400	■ FeZn	400	2000	1,5	10,20	2	<b>88720174</b>
KP-P 500	■ FeZn	500	2000	1,5	12,60	2	<b>88720175</b>
KP-P 600	■ FeZn	600	2000	1,5	15,00	2	<b>88720176</b>

ITEM	MATERIAL	A (mm)	B (mm)	D (mm)	KG/PC.	PACKAGE	PROD. CODE
KP-P 50	■ Rf	50	2000	1,5	2,10	6	<b>88722170</b>
KP-P 100	■ Rf	100	2000	1,5	2,93	6	<b>88722171</b>
KP-P 150	■ Rf	150	2000	1,5	5,50	4	<b>88722179</b>
KP-P 200	■ Rf	200	2000	1,5	6,40	4	<b>88722172</b>
KP-P 300	■ Rf	300	2000	1,5	7,64	2	<b>88722173</b>
KP-P 400	■ Rf	400	2000	1,5	10,20	2	<b>88722174</b>
KP-P 500	■ Rf	500	2000	1,5	12,60	2	<b>88722175</b>
KP-P 600	■ Rf	600	2000	1,5	15,00	2	<b>88722176</b>

ITEM	MATERIAL	A (mm)	B (mm)	D (mm)	KG/PC.	PACKAGE	PROD. CODE
KP-P 50	■ FeZn-H	50	2000	1,5	2,32	6	<b>88700680</b>
KP-P 100	■ FeZn-H	100	2000	1,5	3,22	6	<b>88700681</b>
KP-P 150	■ FeZn-H	150	2000	1,5	6,05	4	<b>88700689</b>
KP-P 200	■ FeZn-H	200	2000	1,5	7,04	4	<b>88700682</b>
KP-P 300	■ FeZn-H	300	2000	1,5	8,40	2	<b>88700683</b>
KP-P 400	■ FeZn-H	400	2000	1,5	11,22	2	<b>88700684</b>
KP-P 500	■ FeZn-H	500	2000	1,5	13,86	2	<b>88700685</b>
KP-P 600	■ FeZn-H	600	2000	1,5	16,50	2	<b>88700686</b>



### KP-P Cable tray cover; L= 3000 mm; Class: N

The cable tray cover is designed to protect cables in the cable tray against dirt and external influences. The cable tray cover is attached to the cable tray with the click system.

ITEM	MATERIAL	A (mm)	B (mm)	D (mm)	KG/PC.	PACKAGE	PROD. CODE
KP-P 50	■ FeZn	50	3000	0,6	1,68	6	<b>88700160</b>
KP-P 100	■ FeZn	100	3000	0,6	2,40	6	<b>88700161</b>
KP-P 200	■ FeZn	200	3000	0,6	3,85	4	<b>88700162</b>
KP-P 300	■ FeZn	300	3000	0,6	5,28	4	<b>88700163</b>
KP-P 400	■ FeZn	400	3000	0,8	8,95	4	<b>88700164</b>
KP-P 500	■ FeZn	500	3000	0,8	10,85	2	<b>88700165</b>
KP-P 600	■ FeZn	600	3000	0,8	12,75	2	<b>88700166</b>

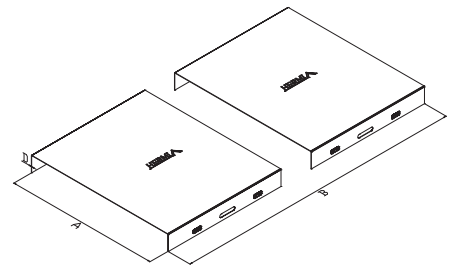
\* upon request

## >> Cable tray covers

### KP-P Cable tray cover; L= 3000 mm; Class: M

The cable tray cover is designed to protect cables in the cable tray against dirt and external influences. The cable tray cover is attached to the cable tray with the click system.

ITEM	MATERIAL	A (mm)	B (mm)	D (mm)	KG/PC.	PACKAGE	PROD. CODE
KP-P 50	■ FeZn	50	3000	1,0	2,22	6	<b>88700167</b>
KP-P 100	■ FeZn	100	3000	1,0	3,18	6	<b>88700168</b>
KP-P 200	■ FeZn	200	3000	1,0	6,38	4	<b>88700169</b>
KP-P 300	■ FeZn	300	3000	1,0	8,78	2	<b>88700170</b>
KP-P 400	■ FeZn	400	3000	1,0	11,18	2	<b>88700171</b>
KP-P 500	■ FeZn	500	3000	1,0	16,98	2	<b>88700172</b>
KP-P 600	■ FeZn	600	3000	1,0	19,98	2	<b>88700173</b>



### PKP-SP1 Cover clamp

Cover clamp intended for additional mechanical fastening of the cover.

ITEM	MATERIAL	KG/PC.	PACKAGE	PROD. CODE
PKP-SP1	■ FeZn	0,04	100	<b>88701462</b>
PKP-SP1	■ Rf	0,04	100	<b>88702562</b>
PKP-SP1	■ FeZn-H	0,04	100	<b>88706962</b>



A close-up, angled view of an aluminium cable tray. The tray is made of a metallic material with a brushed finish. It features several long, narrow, rectangular slots arranged in a grid pattern. A single circular hole is visible in the center of the tray. The lighting is warm and directional, creating highlights and shadows that emphasize the texture and form of the tray.

# KPA

## ALUMINIUM CABLE TRAYS

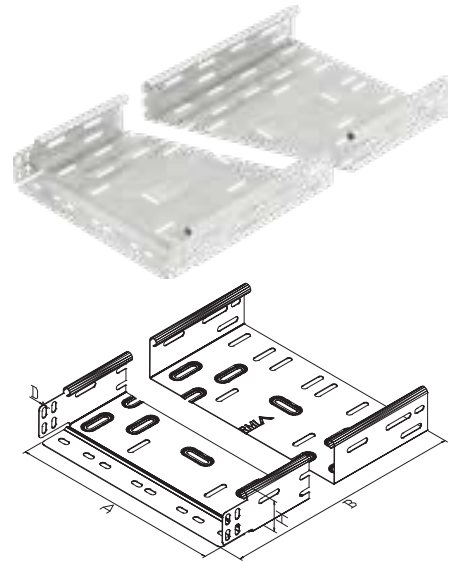
Cable trays are intended for the construction of cable paths in surface cable laying. They are suitable for external and internal mounting, and since they are non-corrosive they are appropriate for use in demanding conditions.



### KPA 60/- Cable trays; L = 2000 mm; H = 60 mm; Class: N

Cable trays of **60 mm** in height and of various widths, made of aluminium. The length of an individual cable tray is **2,0 m**. Cable trays are mounted to the wall or ceiling with the appropriate **NKP** brackets. Joining cable trays together without additional fixing elements is carried out with **PPKP M6x12 (4x-8x)** connection bolts and **PPKP M6 (4x-8x)** flange nuts.

ITEM	MATERIAL	H (mm)	A (mm)	B (mm)	D (mm)	KG/PC.	PACKAGE	PROD. CODE
KPA 60/50	Al	60	50	2000	1,0	1,00	10	<b>88302100</b>
KPA 60/100	Al	60	100	2000	1,0	1,20	6	<b>88302101</b>
KPA 60/200	Al	60	200	2000	1,0	1,70	4	<b>88302102</b>
KPA 60/300	Al	60	300	2000	1,0	2,10	4	<b>88302103</b>
KPA 60/400	Al	60	400	2000	1,0	2,60	2	<b>88302104</b>
KPA 60/500	Al	60	500	2000	1,0	3,00	2	<b>88302105</b>
KPA 60/600	Al	60	600	2000	1,0	3,60	2	<b>88302106</b>

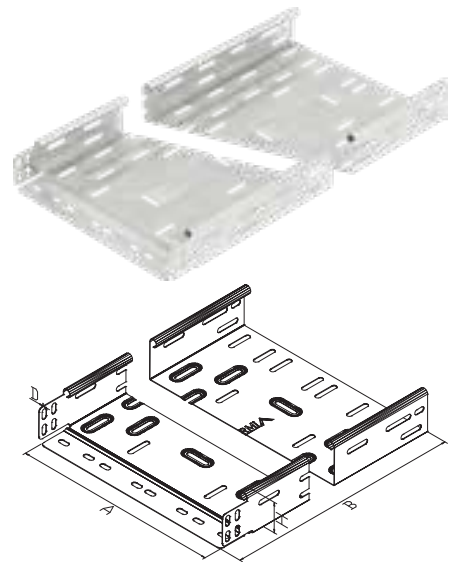


KPA - ALUMINIUM  
CABLE TRAYS

### KPA 60/- Cable trays; L = 3000 mm; H = 60 mm; Class: N

KPA Cable trays of **60 mm** in height and of various widths, made of aluminium. The length of an individual cable tray is **3,0 m**. Cable trays are mounted to the wall or ceiling with the appropriate **NKP** brackets. Joining cable trays together without additional fixing elements is carried out with **PPKPM6x12 (4x-8x)** connection bolts and **PPKP M6 (4x-8x)** flange nuts.

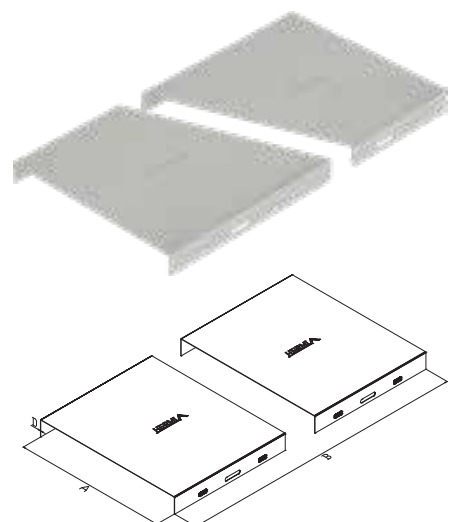
ITEM	MATERIAL	H (mm)	A (mm)	B (mm)	D (mm)	KG/PC.	PACKAGE	PROD. CODE
KPA 60/50	Al	60	50	3000	1,0	1,40	6	<b>88302110</b>
KPA 60/100	Al	60	100	3000	1,0	1,80	6	<b>88302111</b>
KPA 60/200	Al	60	200	3000	1,0	2,50	4	<b>88302112</b>
KPA 60/300	Al	60	300	3000	1,0	3,20	4	<b>88302113</b>
KPA 60/400	Al	60	400	3000	1,0	4,00	2	<b>88302114</b>
KPA 60/500	Al	60	500	3000	1,0	4,50	2	<b>88302115</b>
KPA 60/600	Al	60	600	3000	1,0	5,40	2	<b>88302116</b>



### KPA-P Cable tray cover; L = 2000 mm; D = 1,0 mm Class: N

The **KPA-P** cable tray cover is designed to protect cables in the cable tray against dirt and external influences. The cable tray cover is attached to the cable tray with the click system.

ITEM	MATERIAL	A (mm)	B (mm)	D (mm)	KG/PC.	PACKAGE	PROD. CODE
KPA-P 50	Al	50	2000	1,0	0,50	10	<b>88301150</b>
KPA-P 100	Al	100	2000	1,0	0,93	6	<b>88301151</b>
KPA-P 200	Al	200	2000	1,0	1,49	6	<b>88301152</b>
KPA-P 300	Al	300	2000	1,0	2,05	4	<b>88301153</b>
KPA-P 400	Al	400	2000	1,0	2,61	2	<b>88301154</b>
KPA-P 500	Al	500	2000	1,0	3,17	2	<b>88301155</b>
KPA-P 600	Al	600	2000	1,0	3,73	2	<b>88301156</b>



A close-up, low-angle shot of a metal mesh cable tray. The tray is made of a grid of metal bars. The word 'KPERAMI' is embossed in large, capital letters on the side of the tray. The lighting is warm and golden, creating a strong sense of depth and texture. The background is a soft, out-of-focus gradient of the same warm tones.

# KPM

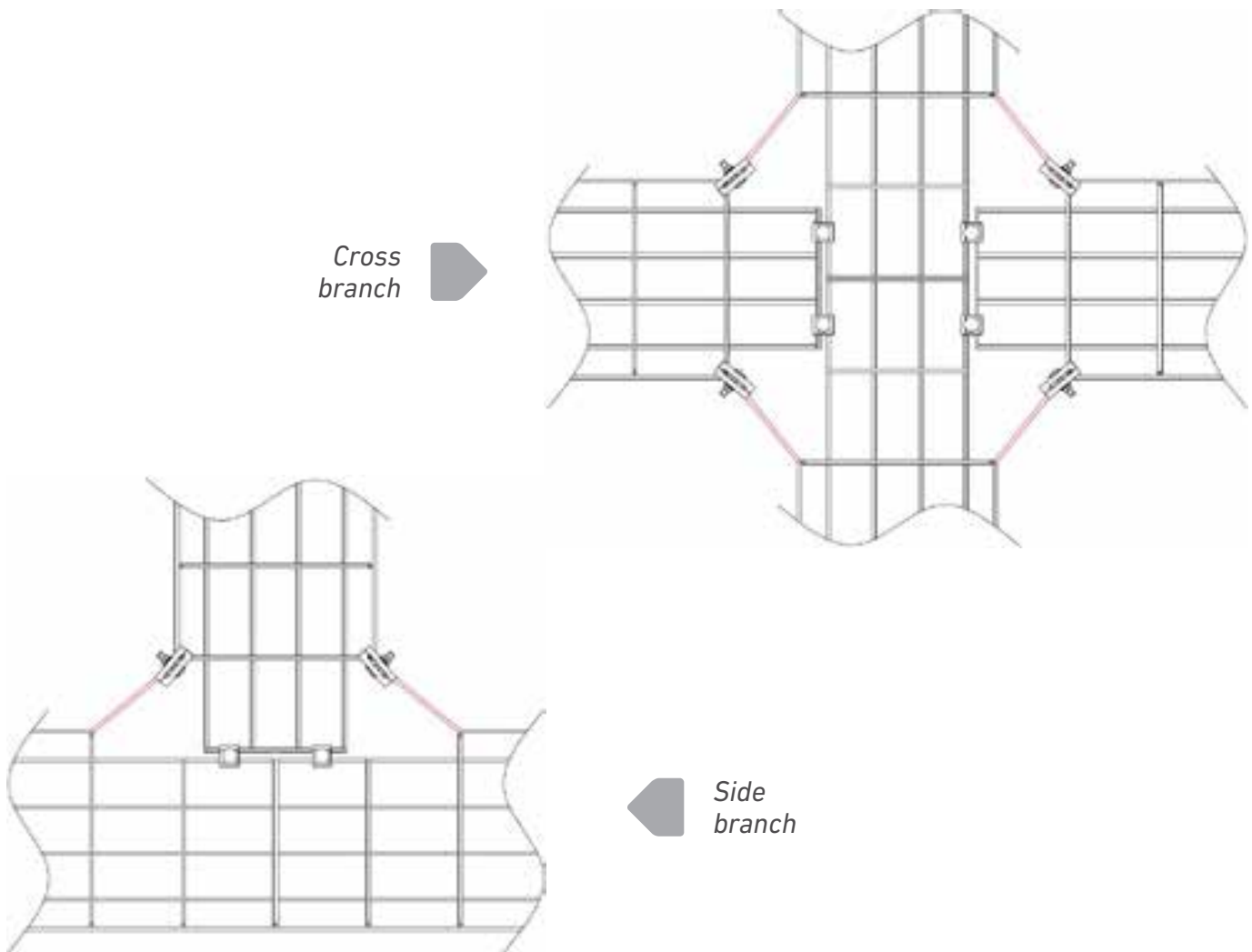
## MESH CABLE TRAYS

Mesh cable trays are intended for the construction of cable paths in surface cable laying. They are designed for use in industry, particularly in environments with more demanding conditions (e.g. food industry, clean areas, etc.).





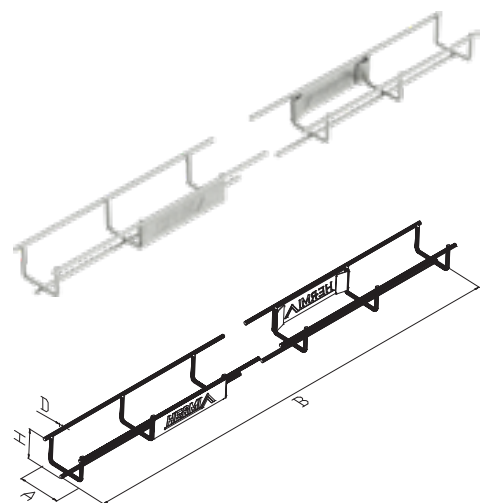
# EXAMPLE OF MESH CABLE TRAYS BRANCHING

KPM – MESH  
CABLE TRAYS

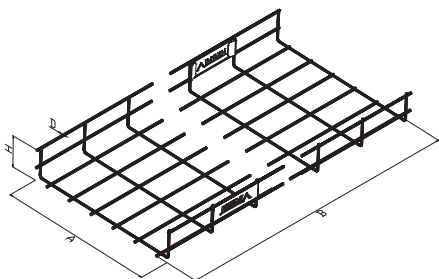
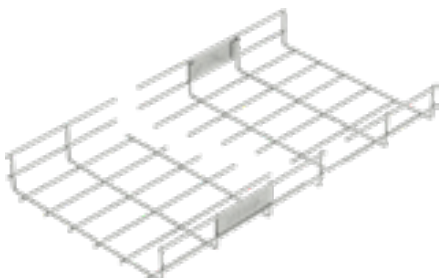
## KPM 35/50 Mesh cable trays; L= 3000 mm; H= 35 mm; Class: N

KPM mesh cable trays of **35 mm** in height and 50 mm in width, made of stainless steel or galvanised sheet metal, optionally powder painted in the desired colour. The length of an individual cable tray is **3,0 m**. Mesh cable trays are attached to the wall or ceiling with suitable **NKP-SNT** brackets and with the **SPN01** clamp, **NKP-SNTM** (boltless mounting on the bracket) or the **NKP-NKM 35** (mounting on the bracket without bolting). Joining of the mesh trays is carried out using the **SP01** clamp and making different elbows/branches with the **SPN02** clamp.

ITEM	MATERIAL	H (mm)	A (mm)	B (mm)	D (mm)	KG/PC.	PACKAGE	PROD. CODE
KPM 35/50	■ FeZn	35	50	3000	3,5	0,96	2	<b>88201140</b>
KPM 35/50	■ Rf	35	50	3000	3,5	0,96	2	<b>88202140</b>
KPM 35/50	■ FeZn-H	35	50	3000	3,5	1,14	2	<b>88206140</b>
KPM 35/50	■ Rf*H4	35	50	3000	3,5	0,96	2	<b>88203140*</b>
KPM 35/50	■ FeZn-PVC	35	50	3000	3,5	1,06	2	<b>88204140*</b>



\* upon request



### KPM 60/- Mesh cable trays; L= 3000 mm; H= 60 mm; Class: N

KPM mesh cable trays of **60 mm** in height and various widths, made of stainless steel or galvanised sheet metal, optionally powder painted in the desired colour. The length of an individual cable tray is **3,0 m**. Mesh cable trays are attached to the wall or ceiling with suitable **NKP-SNT** brackets and with the **SPN01** clamp, **NKP-SNTM** (boltless mounting on the bracket) or the **NKP-NKM 60** (mounting on the bracket without bolting). Joining of the mesh trays is carried out using the **SP01** clamp and making different elbows/branches with the **SPN02** clamp.

ITEM	MATERIAL	H (mm)	A (mm)	B (mm)	D (mm)	KG/PC.	PACKAGE	PROD. CODE
KPM 60/50	■ FeZn	60	50	3000	3,5	1,40	2	<b>88201130</b>
KPM 60/100	■ FeZn	60	100	3000	3,5	1,90	2	<b>88201131</b>
KPM 60/200	■ FeZn	60	200	3000	4,0	3,30	2	<b>88201132</b>
KPM 60/300	■ FeZn	60	300	3000	4,0	4,20	2	<b>88201133</b>
KPM 60/400	■ FeZn	60	400	3000	4,0	5,10	2	<b>88201134</b>
KPM 60/500	■ FeZn	60	500	3000	4,0	6,00	2	<b>88201135</b>
KPM 60/600	■ FeZn	60	600	3000	4,0	6,90	2	<b>88201136</b>

ITEM	MATERIAL	H (mm)	A (mm)	B (mm)	D (mm)	KG/PC.	PACKAGE	PROD. CODE
KPM 60/50	■ Rf	60	50	3000	3,5	1,40	2	<b>88202130</b>
KPM 60/100	■ Rf	60	100	3000	3,5	1,90	2	<b>88202131</b>
KPM 60/200	■ Rf	60	200	3000	4,0	3,30	2	<b>88202132</b>
KPM 60/300	■ Rf	60	300	3000	4,0	4,20	2	<b>88202133</b>
KPM 60/400	■ Rf	60	400	3000	4,0	5,10	2	<b>88202134</b>
KPM 60/500	■ Rf	60	500	3000	4,0	6,00	2	<b>88202135</b>
KPM 60/600	■ Rf	60	600	3000	4,0	6,90	2	<b>88202136</b>

ITEM	MATERIAL	H (mm)	A (mm)	B (mm)	D (mm)	KG/PC.	PACKAGE	PROD. CODE
KPM 60/50	■ FeZn-H	60	50	3000	3,5	1,60	2	<b>88206130</b>
KPM 60/100	■ FeZn-H	60	100	3000	3,5	2,20	2	<b>88206131</b>
KPM 60/200	■ FeZn-H	60	200	3000	4,0	3,90	2	<b>88206132</b>
KPM 60/300	■ FeZn-H	60	300	3000	4,0	5,00	2	<b>88206133</b>
KPM 60/400	■ FeZn-H	60	400	3000	4,0	6,10	2	<b>88206134</b>
KPM 60/500	■ FeZn-H	60	500	3000	4,0	7,10	2	<b>88206135</b>
KPM 60/600	■ FeZn-H	60	600	3000	4,0	8,20	2	<b>88206136</b>

ITEM	MATERIAL	H (mm)	A (mm)	B (mm)	D (mm)	KG/PC.	PACKAGE	PROD. CODE
KPM 60/50	■ Rf*H4	60	50	3000	3,5	1,40	2	<b>88203130*</b>
KPM 60/100	■ Rf*H4	60	100	3000	3,5	1,90	2	<b>88203131*</b>
KPM 60/200	■ Rf*H4	60	200	3000	4,0	3,30	2	<b>88203132*</b>
KPM 60/300	■ Rf*H4	60	300	3000	4,0	4,20	2	<b>88203133*</b>
KPM 60/400	■ Rf*H4	60	400	3000	4,0	5,10	2	<b>88203134*</b>
KPM 60/500	■ Rf*H4	60	500	3000	4,0	6,00	2	<b>88203135*</b>
KPM 60/600	■ Rf*H4	60	600	3000	4,0	6,90	2	<b>88203136*</b>

ITEM	MATERIAL	H (mm)	A (mm)	B (mm)	D (mm)	KG/PC.	PACKAGE	PROD. CODE
KPM 60/50	■ FeZn-PVC	60	50	3000	3,5	1,50	2	<b>88204130*</b>
KPM 60/100	■ FeZn-PVC	60	100	3000	3,5	2,00	2	<b>88204131*</b>
KPM 60/200	■ FeZn-PVC	60	200	3000	4,0	3,40	2	<b>88204132*</b>
KPM 60/300	■ FeZn-PVC	60	300	3000	4,0	4,30	2	<b>88204133*</b>
KPM 60/400	■ FeZn-PVC	60	400	3000	4,0	5,20	2	<b>88204134*</b>
KPM 60/500	■ FeZn-PVC	60	500	3000	4,0	6,20	2	<b>88204135*</b>
KPM 60/600	■ FeZn-PVC	60	600	3000	4,0	7,00	2	<b>88204136*</b>

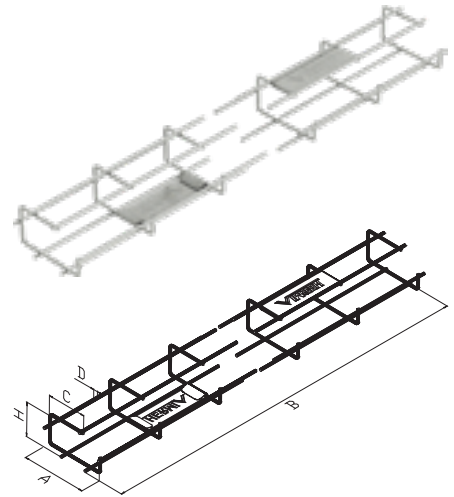
\* upon request



### KPMG 80/50/60 Mesh cable trays; L= 3000 mm; H= 80 mm; Class: N

The **KPMG 80/50/60** mesh cable trays are made of stainless steel or galvanised sheet metal, optionally powder painted in the desired colour. The length of an individual cable tray is **3,0 m**. Mesh cable trays are attached to the wall or ceiling with suitable **NKP-SNT** brackets and with the **SPN01** clamp, **NKP-SNTM** (boltless mounting on the bracket) or the **NKP-NKM 60** (mounting on the bracket without bolting). Joining of the mesh trays is carried out using the **SP01** clamp and making different elbows/branches with the **SPN02** clamp.

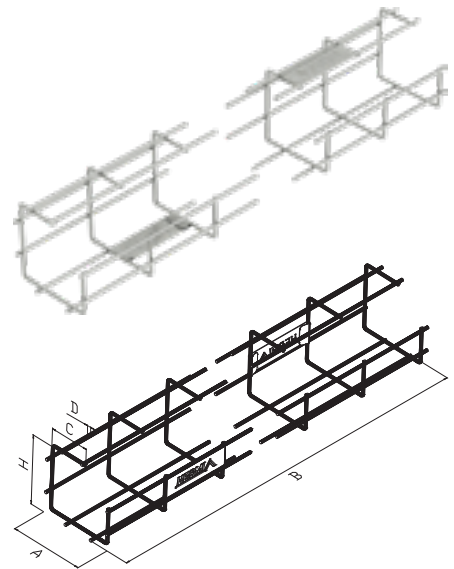
ITEM	MATERIAL	H (mm)	A (mm)	C (mm)	B (mm)	D (mm)	KG/PC.	PACKAGE	PROD. CODE
KPMG 80/50/60	■ FeZn	50	80	60	3000	3,5	1,90	2	<b>88201151</b>
KPMG 80/50/60	■ Rf	50	80	60	3000	3,5	1,90	2	<b>88202151</b>
KPMG 80/50/60	■ FeZn-H	50	80	60	3000	3,5	2,30	2	<b>88206151</b>

KPM – MESH  
CABLE TRAYS

### KPMG 100/100/60 Mesh cable trays; L= 3000 mm; H= 100 mm; Class: N

The **KPMG 100/100/60** mesh cable trays are made of stainless steel or galvanised sheet metal, optionally powder painted in the desired colour. The length of an individual cable tray is **3,0 m**. Mesh cable trays are attached to the wall or ceiling with suitable **NKP-SNT** brackets and with the **SPN01** clamp, **NKP-SNTM** (boltless mounting on the bracket). Joining of the mesh trays is carried out using the **SP01** clamp and making different elbows/branches with the **SPN02** clamp.

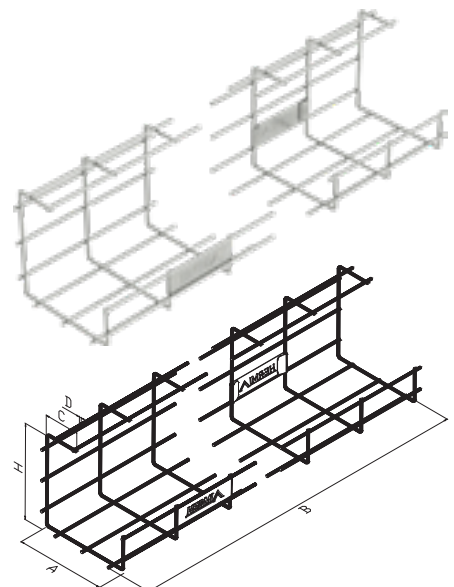
ITEM	MATERIAL	H (mm)	A (mm)	C (mm)	B (mm)	D (mm)	KG/PC.	PACKAGE	PROD. CODE
KPMG 100/100/60	■ FeZn	100	100	60	3000	4,0	3,30	2	<b>88201152</b>
KPMG 100/100/60	■ Rf	100	100	60	3000	4,0	3,30	2	<b>88202152</b>
KPMG 100/100/60	■ FeZn-H	100	100	60	3000	4,0	3,70	2	<b>88206152</b>



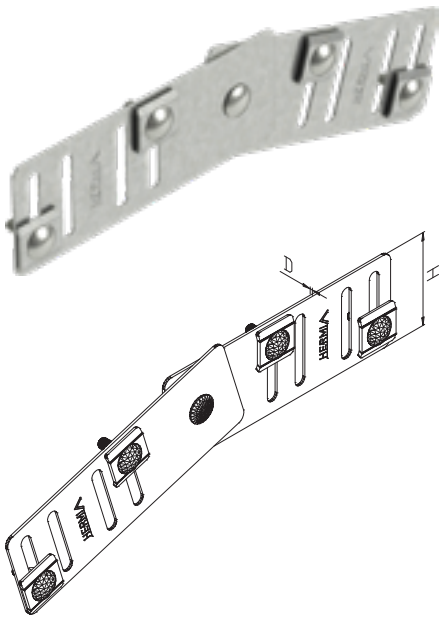
### KPMG 150/150/60 Mesh cable trays; L= 3000 mm; H= 150 mm; Class: N

The **KPMG 150/150/60** mesh cable trays are made of stainless steel or galvanised sheet metal, optionally powder painted in the desired colour. The length of an individual cable tray is **3,0 m**. Mesh cable trays are attached to the wall or ceiling with suitable **NKP-SNT** brackets and with the **SPN01** clamp, **NKP-SNTM** (boltless mounting on the bracket). Joining of the mesh trays is carried out using the **SP01** clamp and making different elbows/branches with the **SPN02** clamp.

ITEM	MATERIAL	H (mm)	A (mm)	C (mm)	B (mm)	D (mm)	KG/PC.	PACKAGE	PROD. CODE
KPMG 150/150/60	■ FeZn	150	150	60	3000	4,0	4,20	2	<b>88201153</b>
KPMG 150/150/60	■ Rf	150	150	60	3000	4,0	4,20	2	<b>88202153</b>
KPMG 150/150/60	■ FeZn-H	150	150	60	3000	4,0	5,00	2	<b>88206153</b>



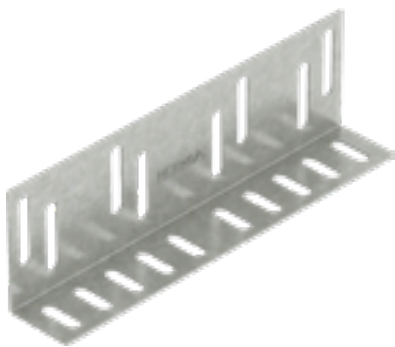
\* upon request



**PKPM-GS 60 Flexible coupling element;**

The mounting is carried out with **PPKP M6x12 (8x)** connection bolts and **PPKP M6 (8x)** flange nuts.

ITEM	MATERIAL	H (mm)	PACKAGE	PROD. CODE
PKP-GSM 60	■ FeZn	60	100	<b>88201206</b>
PKP-GSM 60	■ Rf	60	100	<b>88202206</b>
PKP-GSM 60	■ FeZn-H	60	100	<b>88206206</b>
PKP-GSM 60	■ Rf*H4	60	100	<b>88203306</b>
PKP-GSM 60	■ FeZn-PVC	60	100	<b>88204406</b>



**PKP-UFS 60 Universal fixed coupling element**

The coupling element is used in all three programs (Cable trays, Mesh cable trays, Cable ladders) in the case of connecting different programs with each other. For making a joint, **2 pcs PKP-UFS 60** are required.

ITEM	MATERIAL	D (mm)	PACKAGE	PROD. CODE
PKP-UFS 60	■ FeZn	1,0	75	<b>88701386</b>
PKP-UFS 60	■ Rf	1,0	75	<b>88702486</b>
PKP-UFS 60	■ FeZn-H	1,0	75	<b>88706802</b>



## NKP-SNT Wall bracket

The NKP-SNT wall bracket is designed for mounting cable trays and cable ladders to the wall. The use of fasteners for wall mounting depends on the type of wall material (concrete, brick, etc.). The bracket is also suitable for the mounting on the **NKP-VNV** or **NKP-VNU** hanging bracket. The bracket is appropriate for the installation together with the **PKP-VE 02** connecting element on the **NKP-UL** load-bearing profile. The recommended spacing between brackets is defined based on the load diagram.

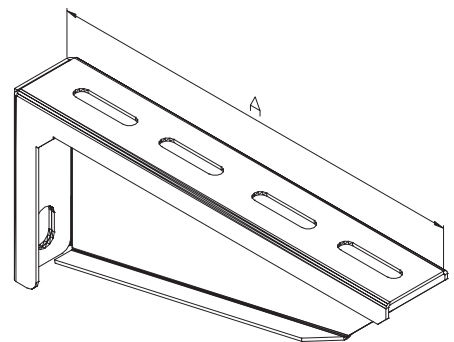
ITEM	MATERIAL	A (mm)	F <sub>max</sub> (kN)	KG/PC.	PACKAGE	PROD. CODE
NKP-SNT 60	■ FeZn	60	1,90	0,08	100	<b>88704140</b>
NKP-SNT 110	■ FeZn	110	1,65	0,17	100	<b>88704141</b>
NKP-SNT 210	■ FeZn	210	3,50	0,34	40	<b>88704142</b>
NKP-SNT 310	■ FeZn	310	2,25	0,45	25	<b>88704143</b>
NKP-SNT 410	■ FeZn	410	1,75	0,60	15	<b>88704144</b>
NKP-SNT 510	■ FeZn	510	1,50	0,74	15	<b>88704145</b>
NKP-SNT 610	■ FeZn	610	1,30	0,91	14	<b>88704146</b>

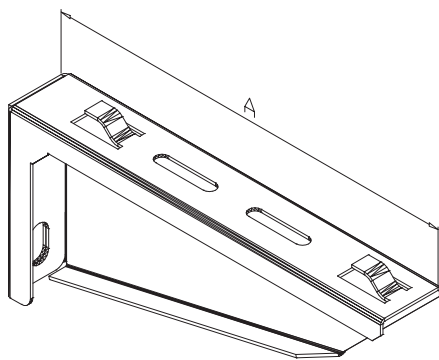
ITEM	MATERIAL	A (mm)	F <sub>max</sub> (kN)	KG/PC.	PACKAGE	PROD. CODE
NKP-SNT 60	■ Rf	60	1,90	0,08	100	<b>88704240</b>
NKP-SNT 110	■ Rf	110	1,65	0,17	100	<b>88704241</b>
NKP-SNT 210	■ Rf	210	3,50	0,34	40	<b>88704242</b>
NKP-SNT 310	■ Rf	310	2,25	0,45	25	<b>88704243</b>
NKP-SNT 410	■ Rf	410	1,75	0,60	15	<b>88704244</b>
NKP-SNT 510	■ Rf	510	1,50	0,74	15	<b>88704245</b>
NKP-SNT 610	■ Rf	610	1,30	0,91	14	<b>88704246</b>

ITEM	MATERIAL	A (mm)	F <sub>max</sub> (kN)	KG/PC.	PACKAGE	PROD. CODE
NKP-SNT 60	■ FeZn-H	60	1,90	0,09	100	<b>88704640</b>
NKP-SNT 110	■ FeZn-H	110	1,65	0,18	100	<b>88704641</b>
NKP-SNT 210	■ FeZn-H	210	3,50	0,37	40	<b>88704642</b>
NKP-SNT 310	■ FeZn-H	310	2,25	0,50	25	<b>88704643</b>
NKP-SNT 410	■ FeZn-H	410	1,75	0,66	15	<b>88704644</b>
NKP-SNT 510	■ FeZn-H	510	1,50	0,81	15	<b>88704645</b>
NKP-SNT 610	■ FeZn-H	610	1,30	1,00	14	<b>88704646</b>

ITEM	MATERIAL	A (mm)	F <sub>max</sub> (kN)	KG/PC.	PACKAGE	PROD. CODE
NKP-SNT 60	■ Rf*H4	60	1,90	0,08	100	<b>88704740*</b>
NKP-SNT 110	■ Rf*H4	110	1,65	0,17	100	<b>88704741*</b>
NKP-SNT 210	■ Rf*H4	210	3,50	0,34	40	<b>88704742*</b>
NKP-SNT 310	■ Rf*H4	310	2,25	0,45	25	<b>88704743*</b>
NKP-SNT 410	■ Rf*H4	410	1,75	0,60	15	<b>88704744*</b>
NKP-SNT 510	■ Rf*H4	510	1,50	0,74	15	<b>88704745*</b>
NKP-SNT 610	■ Rf*H4	610	1,30	0,91	14	<b>88704746*</b>

ITEM	MATERIAL	A (mm)	F <sub>max</sub> (kN)	KG/PC.	PACKAGE	PROD. CODE
NKP-SNT 60	■ FeZn-PVC	60	1,90	0,09	100	<b>88704340*</b>
NKP-SNT 110	■ FeZn-PVC	110	1,65	0,18	100	<b>88704341*</b>
NKP-SNT 210	■ FeZn-PVC	210	3,50	0,37	40	<b>88704342*</b>
NKP-SNT 310	■ FeZn-PVC	310	2,25	0,50	25	<b>88704343*</b>
NKP-SNT 410	■ FeZn-PVC	410	1,75	0,66	15	<b>88704344*</b>
NKP-SNT 510	■ FeZn-PVC	510	1,50	0,81	15	<b>88704345*</b>
NKP-SNT 610	■ FeZn-PVC	610	1,30	1,00	14	<b>88704346*</b>





### NKP-SNTM Wall bracket

The **NKP-SNTM** wall bracket is designed for mounting **KPM** and **KPMG** mesh cable trays to the wall. The **KPM** mesh cable trays are fixed to the bracket **WITHOUT BOLTING**. The use of fasteners for wall mounting depends on the type of wall material (concrete, brick, etc.). In addition, the bracket is also suitable for mounting on the **NKP-VNV** and **NKP-VNU** hanging brackets. The bracket is suitable for mounting together with the **PKP-VE 02** connecting element on the **NKP-UL** load-bearing profile. The recommended spacing between the brackets is determined on the basis of the load diagram.

ITEM	MATERIAL	A (mm)	F <sub>max</sub> (kN)	KG/PC.	PACKAGE	PROD. CODE
NKP-SNTM 110	■ FeZn	110	1,65	0,21	100	<b>88707151</b>
NKP-SNTM 210	■ FeZn	210	3,50	0,34	40	<b>88707152</b>
NKP-SNTM 310	■ FeZn	310	2,25	0,48	25	<b>88707153</b>
NKP-SNTM 410	■ FeZn	410	1,75	0,62	15	<b>88707154</b>
NKP-SNTM 510	■ FeZn	510	1,50	0,76	15	<b>88707155</b>
NKP-SNTM 610	■ FeZn	610	1,30	0,91	14	<b>88707156</b>

ITEM	MATERIAL	A (mm)	F <sub>max</sub> (kN)	KG/PC.	PACKAGE	PROD. CODE
NKP-SNTM 110	■ Rf	110	1,65	0,21	100	<b>88708251</b>
NKP-SNTM 210	■ Rf	210	3,50	0,34	40	<b>88708252</b>
NKP-SNTM 310	■ Rf	310	2,25	0,48	25	<b>88708253</b>
NKP-SNTM 410	■ Rf	410	1,75	0,62	15	<b>88708254</b>
NKP-SNTM 510	■ Rf	510	1,50	0,76	15	<b>88708255</b>
NKP-SNTM 610	■ Rf	610	1,30	0,91	14	<b>88708256</b>

ITEM	MATERIAL	A (mm)	F <sub>max</sub> (kN)	KG/PC.	PACKAGE	PROD. CODE
NKP-SNTM 110	■ FeZn-H	110	1,65	0,23	100	<b>88718851</b>
NKP-SNTM 210	■ FeZn-H	210	3,50	0,37	40	<b>88718852</b>
NKP-SNTM 310	■ FeZn-H	310	2,25	0,53	25	<b>88718853</b>
NKP-SNTM 410	■ FeZn-H	410	1,75	0,68	15	<b>88718854</b>
NKP-SNTM 510	■ FeZn-H	510	1,50	0,84	15	<b>88718855</b>
NKP-SNTM 610	■ FeZn-H	610	1,30	1,05	14	<b>88718856</b>

\* upon request



### NKP-NKM 35 Wall bracket

The **NKP-NKM 35** wall bracket is designed for mounting **KPM 35/50** mesh cable trays to the wall. The **KPM 35/50** mesh cable trays are fixed to the bracket **WITHOUT BOLTING**.

The use of fasteners for wall mounting depends on the type of wall material (concrete, brick, etc.). The recommended spacing between the brackets is determined on the basis of the load diagram.

ITEM	MATERIAL	F <sub>max</sub> (kN)	KG/PC.	PACKAGE	PROD. CODE
NKP-NKM 35	■ FeZn	1,0	0,06	80	<b>88707145</b>
NKP-NKM 35	■ Rf	1,0	0,06	80	<b>88708245</b>
NKP-NKM 35	■ FeZn-H	1,0	0,06	80	<b>88718845</b>



### NKP-NKM 60 Wall bracket

The **NKP-NKM 60** wall bracket is designed for mounting **KPM 60/100** and **KPMG 80/50/60** mesh cable trays to the wall. The **KPM** mesh cable trays are fixed to the bracket **WITHOUT BOLTING**. The use of fasteners for wall mounting depends on the type of wall material (concrete, brick, etc.). The recommended spacing between the brackets is determined on the basis of the load diagram.

ITEM	MATERIAL	F <sub>max</sub> (kN)	KG/PC.	PACKAGE	PROD. CODE
NKP-NKM 60	■ FeZn	1,0	0,05	80	<b>88707146</b>
NKP-NKM 60	■ Rf	1,0	0,05	80	<b>88708246</b>
NKP-NKM 60	■ FeZn-H	1,0	0,05	80	<b>88718846</b>



### NKP-NKMA 60/50 Addition to the wall bracket

Designed for mounting **KPM 35/50** and **KPM 60/50** on a wall bracket (**NKP-SNT**, **NKP-SNV**, ...). Fastening on a bracket is done with **M6x12** bolt and **M6** flange nut. Mounting of the KPM mesh cable tray on the bracket is done **without screwing**.

ITEM	MATERIAL	KG/PC.	PACKAGE	PROD. CODE
NKP-NKMA 60/50	■ FeZn	0,02	80	<b>88707147</b>
NKP-NKMA 60/50	■ Rf	0,02	80	<b>88708247</b>
NKP-NKMA 60/50	■ FeZn-H	0,02	80	<b>88718847</b>





### NKP-FEM Fixed element

The **NKP-FEM** fixed element is designed for fixed mounting of **KPM** and **KPMG** mesh cable trays to the wall. The use of fasteners for wall or floor mounting depends on the type of wall material (concrete, brick, etc.). The recommended spacing between the brackets is determined on the basis of the load diagram.

ITEM	MATERIAL	KG/PC.	PACKAGE	PROD. CODE
NKP-FEM	■ FeZn	0,03	150	<b>88201205</b>
NKP-FEM	■ Rf	0,03	150	<b>88202205</b>
NKP-FEM	■ FeZn-H	0,03	150	<b>88206205</b>
NKP-FEM	■ Rf*H4	0,03	150	<b>88203305*</b>
NKP-FEM	■ FeZn-PVC	0,03	150	<b>88204405*</b>



### SP01 Clamp for joining the mesh cable tray

The **SP01** clamp is designed for joining **KPM** mesh cable trays. It is made of stainless steel or galvanised sheet metal, optionally powder painted in the desired colour. The number of the **SP01** clamps required for the joint connection depends on the width of cable trays (50 mm... 2 pcs **SP01**; 100–200 mm... 3 pcs **SP01**; 300 mm... 4 pcs **SP01**; width 400–500 mm... 5 pcs **SP01**; 600 mm... 6 pcs **SP01**).

ITEM	MATERIAL	KG/PC.	PACKAGE	PROD. CODE
SP01	■ FeZn	0,03	150	<b>88201200</b>
SP01	■ Rf	0,03	150	<b>88202200</b>
SP01	■ FeZn-H	0,03	150	<b>88206200</b>
SP01	■ Rf*H4	0,03	150	<b>88203300*</b>
SP01	■ FeZn-PVC	0,03	150	<b>88204400*</b>



### SPN01 Clamp for mounting to the SNT bracket

The **SPN01** clamp is designed for screw fastening of **KPM** mesh cable trays to the **NKP-SNT** or **NKP-SNTM** wall bracket. It is made of stainless steel or galvanised sheet metal, optionally powder painted in the desired colour.

ITEM	MATERIAL	KG/PC.	PACKAGE	PROD. CODE
SPN01	■ FeZn	0,02	150	<b>88201203</b>
SPN01	■ Rf	0,02	150	<b>88202203</b>
SPN01	■ FeZn-H	0,02	150	<b>88206203</b>
SPN01	■ Rf*H4	0,02	150	<b>88203303*</b>
SPN01	■ FeZn-PVC	0,02	150	<b>88204403*</b>

\* upon request





### SPN02 Clamp for making different elbows/branches

The **SPN02** clamp is designed for making different elbows, branches and cross-ways of **KPM** mesh cable trays. It is made of stainless steel or galvanised sheet metal, optionally powder painted in the desired colour.

ITEM	MATERIAL	KG/PC.	PACKAGE	PROD. CODE
SPN02	■ FeZn	0,06	100	<b>88201201</b>
SPN02	■ Rf	0,06	100	<b>88202201</b>
SPN02	■ FeZn-H	0,06	100	<b>88206201</b>
SPN02	■ Rf*H4	0,06	100	<b>88203301*</b>
SPN02	■ FeZn-PVC	0,06	100	<b>88204401*</b>



### NKP-NDM Socket holder

The **NKP-NDM** socket holder is designed for fixing the electrical socket to the **KPM** mesh cable tray. Mounting of the **NKP-NDM** holder to the **KPM** mesh cable tray is carried out without bolting. In addition, it can also be used as a wall bracket for lightweight loads. It is made of stainless steel or galvanised sheet metal, optionally powder painted in the desired colour.

ITEM	MATERIAL	KG/PC.	PACKAGE	PROD. CODE
NKP-NDM	■ FeZn	0,12	50	<b>88201204</b>
NKP-NDM	■ Rf	0,12	50	<b>88202204</b>
NKP-NDM	■ FeZn-H	0,13	50	<b>88206204</b>
NKP-NDM	■ Rf*H4	0,12	50	<b>88203304*</b>
NKP-NDM	■ FeZn-PVC	0,13	50	<b>88204404*</b>



\* upon request



# KL CABLE LADDERS

Cable ladders are intended for the construction of cable paths in surface cable laying.



# Cable ladders KL 60

## KL 60/- Cable ladders; L= 3000 mm; H= 60 mm; Class: N

Cable ladders of **60 mm** in height and of various widths, made of galvanised sheet metal or stainless steel, optionally powder painted in the desired colour. The length of an individual cable ladder is **3,0 m**. Cable ladders are attached to the wall, ceiling or floor with the suitable **NKP** brackets. For joining two cable ladders, **2 pcs PKL-FS** are required.

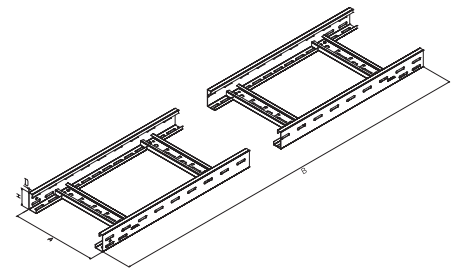
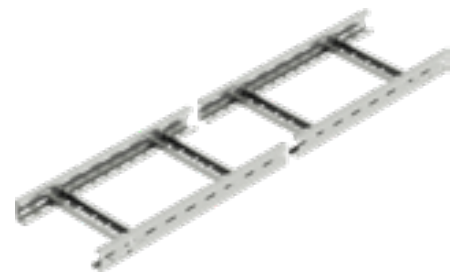
ITEM	MATERIAL	H (mm)	A (mm)	B (mm)	D (mm)	KG/PC.	PACKAGE	PROD. CODE
KL 60/100	■ FeZn	60	100	3000	1,0	5,70	2	<b>88710111</b>
KL 60/150	■ FeZn	60	150	3000	1,0	5,90	2	<b>88710110</b>
KL 60/200	■ FeZn	60	200	3000	1,0	6,20	2	<b>88710112</b>
KL 60/300	■ FeZn	60	300	3000	1,0	6,90	2	<b>88710113</b>
KL 60/400	■ FeZn	60	400	3000	1,0	7,60	2	<b>88710114</b>
KL 60/500	■ FeZn	60	500	3000	1,0	8,10	2	<b>88710115</b>
KL 60/600	■ FeZn	60	600	3000	1,0	8,80	2	<b>88710116</b>
KL 60/700	■ FeZn	60	700	3000	1,0	9,50	2	<b>88710117</b>
KL 60/800	■ FeZn	60	800	3000	1,0	10,20	2	<b>88710118</b>

ITEM	MATERIAL	H (mm)	A (mm)	B (mm)	D (mm)	KG/PC.	PACKAGE	PROD. CODE
KL 60/100	■ Rf	60	100	3000	1,0	5,70	2	<b>88710211</b>
KL 60/200	■ Rf	60	200	3000	1,0	6,20	2	<b>88710212</b>
KL 60/300	■ Rf	60	300	3000	1,0	6,90	2	<b>88710213</b>
KL 60/400	■ Rf	60	400	3000	1,0	7,60	2	<b>88710214</b>
KL 60/500	■ Rf	60	500	3000	1,0	8,10	2	<b>88710215</b>
KL 60/600	■ Rf	60	600	3000	1,0	8,80	2	<b>88710216</b>
KL 60/700	■ Rf	60	700	3000	1,0	9,50	2	<b>88710217</b>
KL 60/800	■ Rf	60	800	3000	1,0	10,20	2	<b>88710218</b>

ITEM	MATERIAL	H (mm)	A (mm)	B (mm)	D (mm)	KG/PC.	PACKAGE	PROD. CODE
KL 60/100	■ FeZn-H	60	100	3000	1,0	6,10	2	<b>88710611</b>
KL 60/200	■ FeZn-H	60	200	3000	1,0	6,70	2	<b>88710612</b>
KL 60/300	■ FeZn-H	60	300	3000	1,0	7,20	2	<b>88710613</b>
KL 60/400	■ FeZn-H	60	400	3000	1,0	8,00	2	<b>88710614</b>
KL 60/500	■ FeZn-H	60	500	3000	1,0	8,80	2	<b>88710615</b>
KL 60/600	■ FeZn-H	60	600	3000	1,0	9,60	2	<b>88710616</b>
KL 60/700	■ FeZn-H	60	700	3000	1,0	10,20	2	<b>88710617</b>
KL 60/800	■ FeZn-H	60	800	3000	1,0	10,90	2	<b>88710618</b>

ITEM	MATERIAL	H (mm)	A (mm)	B (mm)	D (mm)	KG/PC.	PACKAGE	PROD. CODE
KL 60/100	■ Rf*H4	60	100	3000	1,0	5,70	2	<b>88710411*</b>
KL 60/200	■ Rf*H4	60	200	3000	1,0	6,20	2	<b>88710412*</b>
KL 60/300	■ Rf*H4	60	300	3000	1,0	6,90	2	<b>88710413*</b>
KL 60/400	■ Rf*H4	60	400	3000	1,0	7,60	2	<b>88710414*</b>
KL 60/500	■ Rf*H4	60	500	3000	1,0	8,10	2	<b>88710415*</b>
KL 60/600	■ Rf*H4	60	600	3000	1,0	8,80	2	<b>88710416*</b>
KL 60/700	■ Rf*H4	60	700	3000	1,0	9,50	2	<b>88710417*</b>
KL 60/800	■ Rf*H4	60	800	3000	1,0	10,20	2	<b>88710418*</b>

ITEM	MATERIAL	H (mm)	A (mm)	B (mm)	D (mm)	KG/PC.	PACKAGE	PROD. CODE
KL 60/100	■ FeZn-PVC	60	100	3000	1,0	6,10	2	<b>88710311*</b>
KL 60/200	■ FeZn-PVC	60	200	3000	1,0	6,70	2	<b>88710312*</b>
KL 60/300	■ FeZn-PVC	60	300	3000	1,0	7,20	2	<b>88710313*</b>
KL 60/400	■ FeZn-PVC	60	400	3000	1,0	8,00	2	<b>88710314*</b>
KL 60/500	■ FeZn-PVC	60	500	3000	1,0	8,80	2	<b>88710315*</b>
KL 60/600	■ FeZn-PVC	60	600	3000	1,0	9,60	2	<b>88710316*</b>
KL 60/700	■ FeZn-PVC	60	700	3000	1,0	10,20	2	<b>88710317*</b>
KL 60/800	■ FeZn-PVC	60	800	3000	1,0	10,90	2	<b>88710318*</b>



\* upon request

## >> Cable ladders KL 60

### KL 60/- Cable ladders; L= 3000 mm; H= 60 mm; Class: H

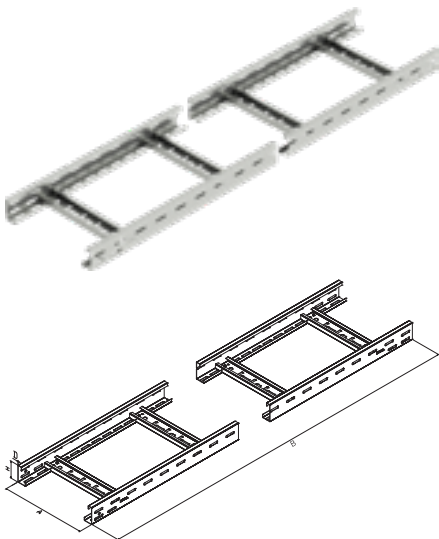
Cable ladders of **60 mm** in height and of various widths, made of galvanised sheet metal or stainless steel, optionally powder painted in the desired colour. The length of an individual cable ladder is **3,0 m**. Cable ladders are attached to the wall, ceiling or floor with the suitable **NKP** brackets. For joining two cable ladders, **2 pcs PKL-FS** are required.

ITEM	MATERIAL	H (mm)	A (mm)	B (mm)	D (mm)	KG/PC.	PACKAGE	PROD. CODE
KL 60/100	■ FeZn	60	100	3000	1,5	9,00	2	<b>88710181</b>
KL 60/200	■ FeZn	60	200	3000	1,5	9,80	2	<b>88710182</b>
KL 60/300	■ FeZn	60	300	3000	1,5	10,80	2	<b>88710183</b>
KL 60/400	■ FeZn	60	400	3000	1,5	12,00	2	<b>88710184</b>
KL 60/500	■ FeZn	60	500	3000	1,5	13,20	2	<b>88710185</b>
KL 60/600	■ FeZn	60	600	3000	1,5	14,50	2	<b>88710186</b>

ITEM	MATERIAL	H (mm)	A (mm)	B (mm)	D (mm)	KG/PC.	PACKAGE	PROD. CODE
KL 60/100	■ Rf	60	100	3000	1,5	9,00	2	<b>88710281</b>
KL 60/200	■ Rf	60	200	3000	1,5	9,80	2	<b>88710282</b>
KL 60/300	■ Rf	60	300	3000	1,5	10,80	2	<b>88710283</b>
KL 60/400	■ Rf	60	400	3000	1,5	12,00	2	<b>88710284</b>
KL 60/500	■ Rf	60	500	3000	1,5	13,20	2	<b>88710285</b>
KL 60/600	■ Rf	60	600	3000	1,5	14,50	2	<b>88710286</b>

ITEM	MATERIAL	H (mm)	A (mm)	B (mm)	D (mm)	KG/PC.	PACKAGE	PROD. CODE
KL 60/100	■ FeZn-H	60	100	3000	1,5	9,90	2	<b>88710691</b>
KL 60/200	■ FeZn-H	60	200	3000	1,5	10,80	2	<b>88710692</b>
KL 60/300	■ FeZn-H	60	300	3000	1,5	11,90	2	<b>88710693</b>
KL 60/400	■ FeZn-H	60	400	3000	1,5	13,20	2	<b>88710694</b>
KL 60/500	■ FeZn-H	60	500	3000	1,5	14,50	2	<b>88710695</b>
KL 60/600	■ FeZn-H	60	600	3000	1,5	16,00	2	<b>88710696</b>

ITEM	MATERIAL	H (mm)	A (mm)	B (mm)	D (mm)	KG/PC.	PACKAGE	PROD. CODE
KL 60/100	■ Rf*H4	60	100	3000	1,5	9,00	2	<b>88710481*</b>
KL 60/200	■ Rf*H4	60	200	3000	1,5	9,80	2	<b>88710482*</b>
KL 60/300	■ Rf*H4	60	300	3000	1,5	10,80	2	<b>88710483*</b>
KL 60/400	■ Rf*H4	60	400	3000	1,5	12,00	2	<b>88710484*</b>
KL 60/500	■ Rf*H4	60	500	3000	1,5	13,20	2	<b>88710485*</b>
KL 60/600	■ Rf*H4	60	600	3000	1,5	14,50	2	<b>88710486*</b>





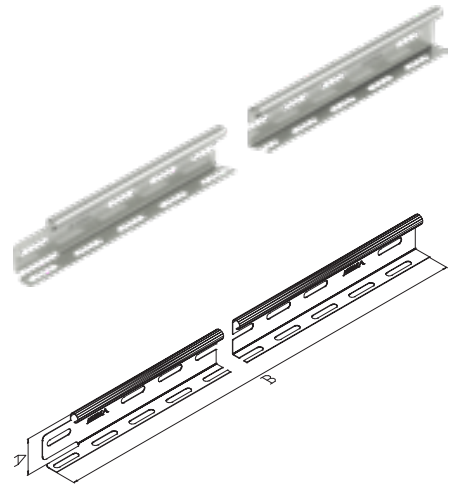
## >> Cable ladders KL 60

### KL-PR Cable ladder divider

The **KL-PR** cable ladder divider is designed for separating conductors installed in cable ladders and preventing electromagnetic interference. The cable ladder divider is installed to a cable ladder with **PPKP-M6x12** (3x) connection bolts and **PPKP-M6** (3x) flange nuts.

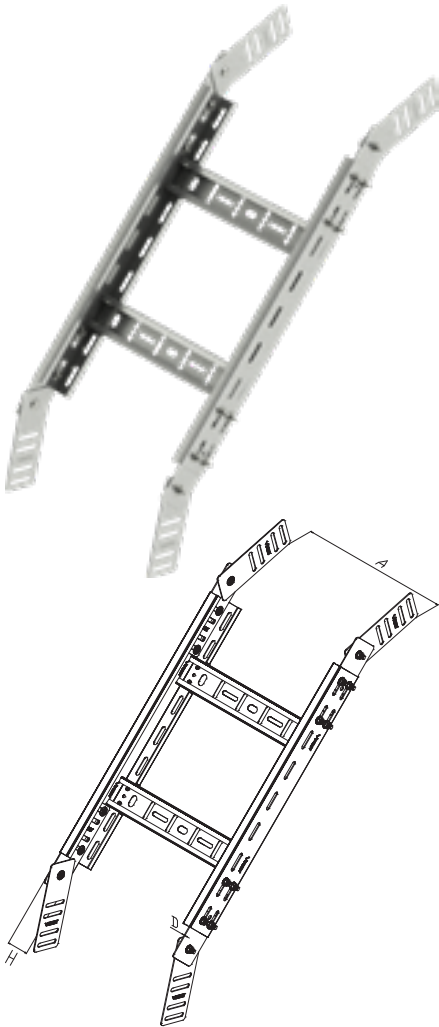
ITEM	MATERIAL	A (mm)	B (mm)	D (mm)	KG/PC.	PACKAGE	PROD. CODE
KL-PR 60	■ FeZn	45	2000	0,6	0,85	10	<b>88710160</b>
KL-PR 60	■ Rf	45	2000	0,6	0,85	10	<b>88710260</b>
KL-PR 60	■ FeZn-H	45	2000	0,8	0,95	10	<b>88710660</b>
KP-PR 60	■ Rf*H4	45	2000	0,6	0,85	10	<b>88710460*</b>
KP-PR 60	■ FeZn-PVC	45	2000	0,6	0,95	10	<b>88710360*</b>

ITEM	MATERIAL	A (mm)	B (mm)	D (mm)	KG/PC.	PACKAGE	PROD. CODE
KL-PR 60	■ FeZn	45	3000	0,6	1,27	10	<b>88710165</b>
KL-PR 60	■ Rf	45	3000	0,6	1,27	10	
KL-PR 60	■ FeZn-H	45	3000	0,8	1,42	10	



# >> Cable ladders KL 60

KL  
CABLE LADDERS



### PKL-ZNK 60/- External / internal elbow; Class: N

The **PKL-ZNK** external/internal elbow is bolted on the **KL** cable ladder with **PPKP M6x12** (8x) connection bolts and **PPKP M6** (8x) flange nuts. For larger radiuses, **2x PKL-ZNK** are required.

ITEM	MATERIAL	H (mm)	A (mm)	D (mm)	KG/PC.	PACKAGE	PROD. CODE
PKL-ZNK 60/100	■ FeZn	60	100	1,0	2,00	2	<b>88711101</b>
PKL-ZNK 60/200	■ FeZn	60	200	1,0	2,20	2	<b>88711102</b>
PKL-ZNK 60/300	■ FeZn	60	300	1,0	2,50	2	<b>88711103</b>
PKL-ZNK 60/400	■ FeZn	60	400	1,0	2,80	2	<b>88711104</b>
PKL-ZNK 60/500	■ FeZn	60	500	1,0	3,00	2	<b>88711105</b>
PKL-ZNK 60/600	■ FeZn	60	600	1,0	3,10	2	<b>88711106</b>
PKL-ZNK 60/700	■ FeZn	60	700	1,0	3,35	2	<b>88711107</b>
PKL-ZNK 60/800	■ FeZn	60	800	1,0	3,60	2	<b>88711108</b>

ITEM	MATERIAL	H (mm)	A (mm)	D (mm)	KG/PC.	PACKAGE	PROD. CODE
PKL-ZNK 60/100	■ Rf	60	100	1,0	2,00	2	<b>88711201</b>
PKL-ZNK 60/200	■ Rf	60	200	1,0	2,20	2	<b>88711202</b>
PKL-ZNK 60/300	■ Rf	60	300	1,0	2,50	2	<b>88711203</b>
PKL-ZNK 60/400	■ Rf	60	400	1,0	2,80	2	<b>88711204</b>
PKL-ZNK 60/500	■ Rf	60	500	1,0	3,00	2	<b>88711205</b>
PKL-ZNK 60/600	■ Rf	60	600	1,0	3,10	2	<b>88711206</b>
PKL-ZNK 60/700	■ Rf	60	700	1,0	3,35	2	<b>88711207</b>
PKL-ZNK 60/800	■ Rf	60	800	1,0	3,60	2	<b>88711208</b>

ITEM	MATERIAL	H (mm)	A (mm)	D (mm)	KG/PC.	PACKAGE	PROD. CODE
PKL-ZNK 60/100	■ FeZn-H	60	100	1,0	2,20	2	<b>88711601</b>
PKL-ZNK 60/200	■ FeZn-H	60	200	1,0	2,42	2	<b>88711602</b>
PKL-ZNK 60/300	■ FeZn-H	60	300	1,0	2,75	2	<b>88711603</b>
PKL-ZNK 60/400	■ FeZn-H	60	400	1,0	3,08	2	<b>88711604</b>
PKL-ZNK 60/500	■ FeZn-H	60	500	1,0	3,30	2	<b>88711605</b>
PKL-ZNK 60/600	■ FeZn-H	60	600	1,0	3,41	2	<b>88711606</b>
PKL-ZNK 60/700	■ FeZn-H	60	700	1,0	3,69	2	<b>88711607</b>
PKL-ZNK 60/800	■ FeZn-H	60	800	1,0	3,96	2	<b>88711608</b>

ITEM	MATERIAL	H (mm)	A (mm)	D (mm)	KG/PC.	PACKAGE	PROD. CODE
PKL-ZNK 60/100	■ Rf*H4	60	100	1,0	2,00	2	<b>88711401*</b>
PKL-ZNK 60/200	■ Rf*H4	60	200	1,0	2,20	2	<b>88711402*</b>
PKL-ZNK 60/300	■ Rf*H4	60	300	1,0	2,50	2	<b>88711403*</b>
PKL-ZNK 60/400	■ Rf*H4	60	400	1,0	2,80	2	<b>88711404*</b>
PKL-ZNK 60/500	■ Rf*H4	60	500	1,0	3,00	2	<b>88711405*</b>
PKL-ZNK 60/600	■ Rf*H4	60	600	1,0	3,10	2	<b>88711406*</b>
PKL-ZNK 60/700	■ Rf*H4	60	700	1,0	3,35	2	<b>88711407*</b>
PKL-ZNK 60/800	■ Rf*H4	60	800	1,0	3,60	2	<b>88711408*</b>

ITEM	MATERIAL	H (mm)	A (mm)	D (mm)	KG/PC.	PACKAGE	PROD. CODE
PKL-ZNK 60/100	■ FeZn-PVC	60	100	1,0	2,20	2	<b>88711301*</b>
PKL-ZNK 60/200	■ FeZn-PVC	60	200	1,0	2,42	2	<b>88711302*</b>
PKL-ZNK 60/300	■ FeZn-PVC	60	300	1,0	2,75	2	<b>88711303*</b>
PKL-ZNK 60/400	■ FeZn-PVC	60	400	1,0	3,08	2	<b>88711304*</b>
PKL-ZNK 60/500	■ FeZn-PVC	60	500	1,0	3,30	2	<b>88711305*</b>
PKL-ZNK 60/600	■ FeZn-PVC	60	600	1,0	3,41	2	<b>88711306*</b>
PKL-ZNK 60/700	■ FeZn-PVC	60	700	1,0	3,69	2	<b>88711307*</b>
PKL-ZNK 60/800	■ FeZn-PVC	60	800	1,0	3,96	2	<b>88711308*</b>

\* upon request



## >> Cable ladders KL 60

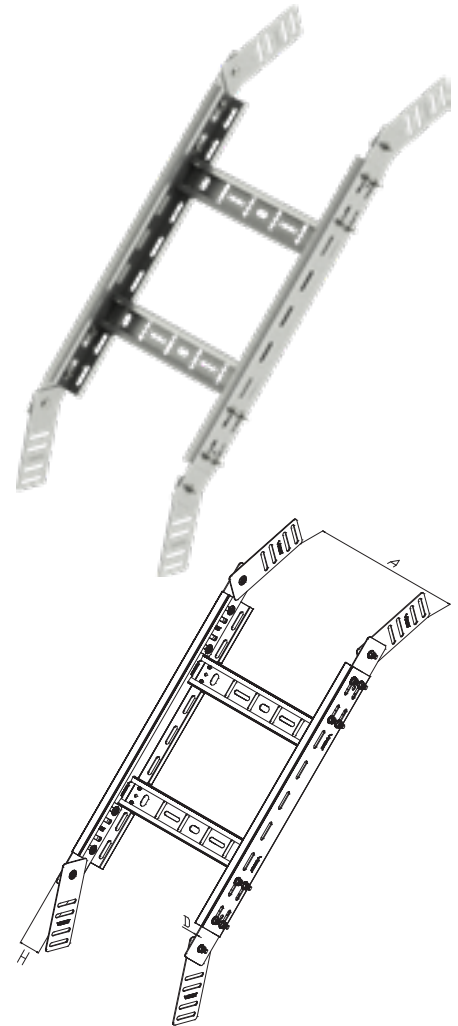
### PKL-ZNK 60/- External / internal elbow; Class: H

The **PKL-ZNK** external/internal elbow is bolted on the KL cable ladder with **PPKP M6x12** (8x) connection bolts and **PPKP M6** (8x) flange nuts. For larger radiuses, **2x PKL-ZNK** are required.

ITEM	MATERIAL	H (mm)	A (mm)	D (mm)	KG/PC.	PACKAGE	PROD. CODE
PKL-ZNK 60/100	■ FeZn	60	100	1,5	3,00	2	<b>88711821</b>
PKL-ZNK 60/200	■ FeZn	60	200	1,5	3,30	2	<b>88711822</b>
PKL-ZNK 60/300	■ FeZn	60	300	1,5	3,80	2	<b>88711823</b>
PKL-ZNK 60/400	■ FeZn	60	400	1,5	4,20	2	<b>88711824</b>
PKL-ZNK 60/500	■ FeZn	60	500	1,5	4,50	2	<b>88711825</b>
PKL-ZNK 60/600	■ FeZn	60	600	1,5	4,70	2	<b>88711826</b>
PKL-ZNK 60/700	■ FeZn	60	700	1,5	5,00	2	<b>88711827</b>
PKL-ZNK 60/800	■ FeZn	60	800	1,5	5,40	2	<b>88711828</b>

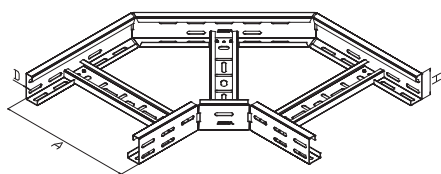
ITEM	MATERIAL	H (mm)	A (mm)	D (mm)	KG/PC.	PACKAGE	PROD. CODE
PKL-ZNK 60/100	■ Rf	60	100	1,5	3,00	2	<b>88712321</b>
PKL-ZNK 60/200	■ Rf	60	200	1,5	3,30	2	<b>88712322</b>
PKL-ZNK 60/300	■ Rf	60	300	1,5	3,80	2	<b>88712323</b>
PKL-ZNK 60/400	■ Rf	60	400	1,5	4,20	2	<b>88712324</b>
PKL-ZNK 60/500	■ Rf	60	500	1,5	4,50	2	<b>88712325</b>
PKL-ZNK 60/600	■ Rf	60	600	1,5	4,70	2	<b>88712326</b>
PKL-ZNK 60/700	■ Rf	60	700	1,5	5,00	2	<b>88712327</b>
PKL-ZNK 60/800	■ Rf	60	800	1,5	5,40	2	<b>88712328</b>

ITEM	MATERIAL	H (mm)	A (mm)	D (mm)	KG/PC.	PACKAGE	PROD. CODE
PKL-ZNK 60/100	■ FeZn-H	60	100	1,5	3,30	2	<b>88716721</b>
PKL-ZNK 60/200	■ FeZn-H	60	200	1,5	3,60	2	<b>88716722</b>
PKL-ZNK 60/300	■ FeZn-H	60	300	1,5	4,20	2	<b>88716723</b>
PKL-ZNK 60/400	■ FeZn-H	60	400	1,5	4,60	2	<b>88716724</b>
PKL-ZNK 60/500	■ FeZn-H	60	500	1,5	5,00	2	<b>88716725</b>
PKL-ZNK 60/600	■ FeZn-H	60	600	1,5	5,20	2	<b>88716726</b>
PKL-ZNK 60/700	■ FeZn-H	60	700	1,5	5,50	2	<b>88716727</b>
PKL-ZNK 60/800	■ FeZn-H	60	800	1,5	5,90	2	<b>88716728</b>



# >> Cable ladders KL 60

KL  
CABLE LADDERS



### PKL-KO 60/- Elbow 90°; Class: N

The **PKL-KO 90°** elbow is bolted on the **KL** cable ladder with the **PKL-FS** fixed connecting element, which is installed on the outer side with **PPKP M6x12** (8x) connection bolts and **PPKP M6** (8x) flange nuts.

ITEM	MATERIAL	H (mm)	A (mm)	D (mm)	PACKAGE	PROD. CODE
PKL-KO 60/100/90°	■ FeZn	60	100	1,0	2	<b>88711111</b>
PKL-KO 60/200/90°	■ FeZn	60	200	1,0	2	<b>88711112</b>
PKL-KO 60/300/90°	■ FeZn	60	300	1,0	2	<b>88711113</b>
PKL-KO 60/400/90°	■ FeZn	60	400	1,0	2	<b>88711114</b>
PKL-KO 60/500/90°	■ FeZn	60	500	1,0	2	<b>88711115</b>
PKL-KO 60/600/90°	■ FeZn	60	600	1,0	2	<b>88711116</b>
PKL-KO 60/700/90°	■ FeZn	60	700	1,0	2	<b>88711117</b>
PKL-KO 60/800/90°	■ FeZn	60	800	1,0	2	<b>88711118</b>

ITEM	MATERIAL	H (mm)	A (mm)	D (mm)	PACKAGE	PROD. CODE
PKL-KO 60/100/90°	■ Rf	60	100	1,0	2	<b>88711211</b>
PKL-KO 60/200/90°	■ Rf	60	200	1,0	2	<b>88711212</b>
PKL-KO 60/300/90°	■ Rf	60	300	1,0	2	<b>88711213</b>
PKL-KO 60/400/90°	■ Rf	60	400	1,0	2	<b>88711214</b>
PKL-KO 60/500/90°	■ Rf	60	500	1,0	2	<b>88711215</b>
PKL-KO 60/600/90°	■ Rf	60	600	1,0	2	<b>88711216</b>
PKL-KO 60/700/90°	■ Rf	60	700	1,0	2	<b>88711217</b>
PKL-KO 60/800/90°	■ Rf	60	800	1,0	2	<b>88711218</b>

ITEM	MATERIAL	H (mm)	A (mm)	D (mm)	PACKAGE	PROD. CODE
PKL-KO 60/100/90°	■ FeZn-H	60	100	1,0	2	<b>88711611</b>
PKL-KO 60/200/90°	■ FeZn-H	60	200	1,0	2	<b>88711612</b>
PKL-KO 60/300/90°	■ FeZn-H	60	300	1,0	2	<b>88711613</b>
PKL-KO 60/400/90°	■ FeZn-H	60	400	1,0	2	<b>88711614</b>
PKL-KO 60/500/90°	■ FeZn-H	60	500	1,0	2	<b>88711615</b>
PKL-KO 60/600/90°	■ FeZn-H	60	600	1,0	2	<b>88711616</b>
PKL-KO 60/700/90°	■ FeZn-H	60	700	1,0	2	<b>88711617</b>
PKL-KO 60/800/90°	■ FeZn-H	60	800	1,0	2	<b>88711618</b>

ITEM	MATERIAL	H (mm)	A (mm)	D (mm)	PACKAGE	PROD. CODE
PKL-KO 60/100/90°	■ Rf*H4	60	100	1,0	2	<b>88711411*</b>
PKL-KO 60/200/90°	■ Rf*H4	60	200	1,0	2	<b>88711412*</b>
PKL-KO 60/300/90°	■ Rf*H4	60	300	1,0	2	<b>88711413*</b>
PKL-KO 60/400/90°	■ Rf*H4	60	400	1,0	2	<b>88711414*</b>
PKL-KO 60/500/90°	■ Rf*H4	60	500	1,0	2	<b>88711415*</b>
PKL-KO 60/600/90°	■ Rf*H4	60	600	1,0	2	<b>88711416*</b>
PKL-KO 60/700/90°	■ Rf*H4	60	700	1,0	2	<b>88711417*</b>
PKL-KO 60/800/90°	■ Rf*H4	60	800	1,0	2	<b>88711418*</b>

ITEM	MATERIAL	H (mm)	A (mm)	D (mm)	PACKAGE	PROD. CODE
PKL-KO 60/100/90°	■ FeZn-PVC	60	100	1,0	2	<b>88711311*</b>
PKL-KO 60/200/90°	■ FeZn-PVC	60	200	1,0	2	<b>88711312*</b>
PKL-KO 60/300/90°	■ FeZn-PVC	60	300	1,0	2	<b>88711313*</b>
PKL-KO 60/400/90°	■ FeZn-PVC	60	400	1,0	2	<b>88711314*</b>
PKL-KO 60/500/90°	■ FeZn-PVC	60	500	1,0	2	<b>88711315*</b>
PKL-KO 60/600/90°	■ FeZn-PVC	60	600	1,0	2	<b>88711316*</b>
PKL-KO 60/700/90°	■ FeZn-PVC	60	700	1,0	2	<b>88711317*</b>
PKL-KO 60/800/90°	■ FeZn-PVC	60	800	1,0	2	<b>88711318*</b>

\* upon request





## >> Cable ladders KL 60

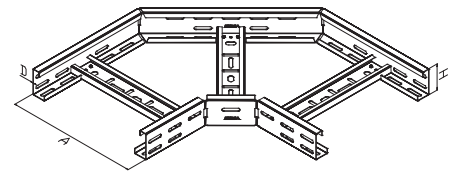
### PKL-KO 60/- Elbow 90°; Class: H

The **PKL-KO 90°** elbow is bolted on the KL cable ladder with the **PKL-FS** fixed connecting element, which is installed on the outer side with **PPKP M6x12** (8x) connection bolts and **PPKP M6** (8x) flange nuts.

ITEM	MATERIAL	H (mm)	A (mm)	D (mm)	PACKAGE	PROD. CODE
PKL-KO 60/100/90°	■ FeZn	60	100	1,5	2	<b>88711961</b>
PKL-KO 60/200/90°	■ FeZn	60	200	1,5	2	<b>88711962</b>
PKL-KO 60/300/90°	■ FeZn	60	300	1,5	2	<b>88711963</b>
PKL-KO 60/400/90°	■ FeZn	60	400	1,5	2	<b>88711964</b>
PKL-KO 60/500/90°	■ FeZn	60	500	1,5	2	<b>88711965</b>
PKL-KO 60/600/90°	■ FeZn	60	600	1,5	2	<b>88711966</b>

ITEM	MATERIAL	H (mm)	A (mm)	D (mm)	PACKAGE	PROD. CODE
PKL-KO 60/100/90°	■ Rf	60	100	1,5	2	<b>88712471</b>
PKL-KO 60/200/90°	■ Rf	60	200	1,5	2	<b>88712472</b>
PKL-KO 60/300/90°	■ Rf	60	300	1,5	2	<b>88712473</b>
PKL-KO 60/400/90°	■ Rf	60	400	1,5	2	<b>88712474</b>
PKL-KO 60/500/90°	■ Rf	60	500	1,5	2	<b>88712475</b>
PKL-KO 60/600/90°	■ Rf	60	600	1,5	2	<b>88712476</b>

ITEM	MATERIAL	H (mm)	A (mm)	D (mm)	PACKAGE	PROD. CODE
PKL-KO 60/100/90°	■ FeZn-H	60	100	1,5	2	<b>88716981</b>
PKL-KO 60/200/90°	■ FeZn-H	60	200	1,5	2	<b>88716982</b>
PKL-KO 60/300/90°	■ FeZn-H	60	300	1,5	2	<b>88716983</b>
PKL-KO 60/400/90°	■ FeZn-H	60	400	1,5	2	<b>88716984</b>
PKL-KO 60/500/90°	■ FeZn-H	60	500	1,5	2	<b>88716985</b>
PKL-KO 60/600/90°	■ FeZn-H	60	600	1,5	2	<b>88716986</b>



## >> Cable ladders KL 60

### PKL-KO 60/- Elbow 45°; Class: N

The **PKL-KO 45°** elbow is bolted on the KL cable ladder with the **PKL-FS** fixed connecting element, which is installed on the outer side with PPKP M6x12 (8x) connection bolts and **PPKP M6** (8x) flange nuts. For a 90° angle, **2 pcs PKL-KO 45°** elbows are used.

ITEM	MATERIAL	H (mm)	A (mm)	D (mm)	KG/PC.	PACKAGE	PROD. CODE
PKL-KO 60/100/45°	■ FeZn	60	100	1,0	0,99	2	<b>88711131</b>
PKL-KO 60/200/45°	■ FeZn	60	200	1,0	1,25	2	<b>88711132</b>
PKL-KO 60/300/45°	■ FeZn	60	300	1,0	1,50	2	<b>88711133</b>
PKL-KO 60/400/45°	■ FeZn	60	400	1,0	1,70	2	<b>88711134</b>
PKL-KO 60/500/45°	■ FeZn	60	500	1,0	2,00	2	<b>88711135</b>
PKL-KO 60/600/45°	■ FeZn	60	600	1,0	2,30	2	<b>88711136</b>
PKL-KO 60/700/45°	■ FeZn	60	700	1,0	2,60	2	<b>88711137</b>
PKL-KO 60/800/45°	■ FeZn	60	800	1,0	2,90	2	<b>88711138</b>

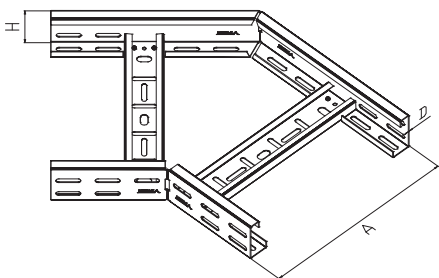
ITEM	MATERIAL	H (mm)	A (mm)	D (mm)	KG/PC.	PACKAGE	PROD. CODE
PKL-KO 60/100/45°	■ Rf	60	100	1,0	0,99	2	<b>88711231</b>
PKL-KO 60/200/45°	■ Rf	60	200	1,0	1,25	2	<b>88711232</b>
PKL-KO 60/300/45°	■ Rf	60	300	1,0	1,50	2	<b>88711233</b>
PKL-KO 60/400/45°	■ Rf	60	400	1,0	1,70	2	<b>88711234</b>
PKL-KO 60/500/45°	■ Rf	60	500	1,0	2,00	2	<b>88711235</b>
PKL-KO 60/600/45°	■ Rf	60	600	1,0	2,30	2	<b>88711236</b>
PKL-KO 60/700/45°	■ Rf	60	700	1,0	2,60	2	<b>88711237</b>
PKL-KO 60/800/45°	■ Rf	60	800	1,0	2,90	2	<b>88711238</b>

ITEM	MATERIAL	H (mm)	A (mm)	D (mm)	KG/PC.	PACKAGE	PROD. CODE
PKL-KO 60/100/45°	■ FeZn-H	60	100	1,0	1,09	2	<b>88711631</b>
PKL-KO 60/200/45°	■ FeZn-H	60	200	1,0	1,37	2	<b>88711632</b>
PKL-KO 60/300/45°	■ FeZn-H	60	300	1,0	1,65	2	<b>88711633</b>
PKL-KO 60/400/45°	■ FeZn-H	60	400	1,0	1,87	2	<b>88711634</b>
PKL-KO 60/500/45°	■ FeZn-H	60	500	1,0	2,20	2	<b>88711635</b>
PKL-KO 60/600/45°	■ FeZn-H	60	600	1,0	2,53	2	<b>88711636</b>
PKL-KO 60/700/45°	■ FeZn-H	60	700	1,0	2,86	2	<b>88711637</b>
PKL-KO 60/800/45°	■ FeZn-H	60	800	1,0	3,19	2	<b>88711638</b>

ITEM	MATERIAL	H (mm)	A (mm)	D (mm)	KG/PC.	PACKAGE	PROD. CODE
PKL-KO 60/100/45°	■ Rf*H4	60	100	1,0	0,99	2	<b>88711431*</b>
PKL-KO 60/200/45°	■ Rf*H4	60	200	1,0	1,25	2	<b>88711432*</b>
PKL-KO 60/300/45°	■ Rf*H4	60	300	1,0	1,50	2	<b>88711433*</b>
PKL-KO 60/400/45°	■ Rf*H4	60	400	1,0	1,70	2	<b>88711434*</b>
PKL-KO 60/500/45°	■ Rf*H4	60	500	1,0	2,00	2	<b>88711435*</b>
PKL-KO 60/600/45°	■ Rf*H4	60	600	1,0	2,30	2	<b>88711436*</b>
PKL-KO 60/700/45°	■ Rf*H4	60	700	1,0	2,60	2	<b>88711437*</b>
PKL-KO 60/800/45°	■ Rf*H4	60	800	1,0	2,90	2	<b>88711438*</b>

ITEM	MATERIAL	H (mm)	A (mm)	D (mm)	KG/PC.	PACKAGE	PROD. CODE
PKL-KO 60/100/45°	■ FeZn-PVC	60	100	1,0	1,09	2	<b>88711331*</b>
PKL-KO 60/200/45°	■ FeZn-PVC	60	200	1,0	1,37	2	<b>88711332*</b>
PKL-KO 60/300/45°	■ FeZn-PVC	60	300	1,0	1,65	2	<b>88711333*</b>
PKL-KO 60/400/45°	■ FeZn-PVC	60	400	1,0	1,87	2	<b>88711334*</b>
PKL-KO 60/500/45°	■ FeZn-PVC	60	500	1,0	2,20	2	<b>88711335*</b>
PKL-KO 60/600/45°	■ FeZn-PVC	60	600	1,0	2,53	2	<b>88711336*</b>
PKL-KO 60/700/45°	■ FeZn-PVC	60	700	1,0	2,86	2	<b>88711337*</b>
PKL-KO 60/800/45°	■ FeZn-PVC	60	800	1,0	3,19	2	<b>88711338*</b>

\* upon request





## >> Cable ladders KL 60

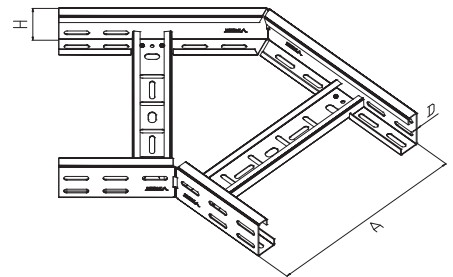
### PKL-KO 60/- Elbow 45°; Class: H

The **PKL-KO 45°** elbow is bolted on the KL cable ladder with the **PKL-FS** fixed connecting element, which is installed on the outer side with **PPKP M6x12** (8x) connection bolts and **PPKP M6** (8x) flange nuts. For a 90° angle, **2 pcs PKL-KO 45°** elbows are used.

ITEM	MATERIAL	H (mm)	A (mm)	D (mm)	KG/PC.	PACKAGE	PROD. CODE
PKL-KO 60/100/45°	■ FeZn	60	100	1,5	1,48	2	<b>88711831</b>
PKL-KO 60/200/45°	■ FeZn	60	200	1,5	1,87	2	<b>88711832</b>
PKL-KO 60/300/45°	■ FeZn	60	300	1,5	2,25	2	<b>88711833</b>
PKL-KO 60/400/45°	■ FeZn	60	400	1,5	2,55	2	<b>88711834</b>
PKL-KO 60/500/45°	■ FeZn	60	500	1,5	3,00	2	<b>88711835</b>
PKL-KO 60/600/45°	■ FeZn	60	600	1,5	3,45	2	<b>88711836</b>
PKL-KO 60/700/45°	■ FeZn	60	700	1,5	3,90	2	<b>88711837</b>
PKL-KO 60/800/45°	■ FeZn	60	800	1,5	4,35	2	<b>88711838</b>

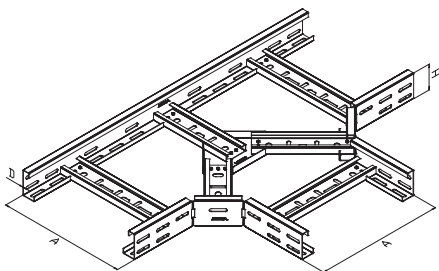
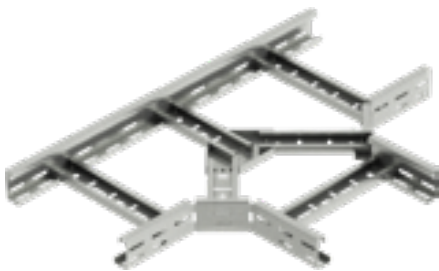
ITEM	MATERIAL	H (mm)	A (mm)	D (mm)	KG/PC.	PACKAGE	PROD. CODE
PKL-KO 60/100/45°	■ Rf	60	100	1,5	1,48	2	<b>88712331</b>
PKL-KO 60/200/45°	■ Rf	60	200	1,5	1,87	2	<b>88712332</b>
PKL-KO 60/300/45°	■ Rf	60	300	1,5	2,25	2	<b>88712333</b>
PKL-KO 60/400/45°	■ Rf	60	400	1,5	2,55	2	<b>88712334</b>
PKL-KO 60/500/45°	■ Rf	60	500	1,5	3,00	2	<b>88712335</b>
PKL-KO 60/600/45°	■ Rf	60	600	1,5	3,45	2	<b>88712336</b>
PKL-KO 60/700/45°	■ Rf	60	700	1,5	3,90	2	<b>88712337</b>
PKL-KO 60/800/45°	■ Rf	60	800	1,5	4,35	2	<b>88712338</b>

ITEM	MATERIAL	H (mm)	A (mm)	D (mm)	KG/PC.	PACKAGE	PROD. CODE
PKL-KO 60/100/45°	■ FeZn-H	60	100	1,5	1,62	2	<b>88716731</b>
PKL-KO 60/200/45°	■ FeZn-H	60	200	1,5	1,96	2	<b>88716732</b>
PKL-KO 60/300/45°	■ FeZn-H	60	300	1,5	2,47	2	<b>88716733</b>
PKL-KO 60/400/45°	■ FeZn-H	60	400	1,5	2,80	2	<b>88716734</b>
PKL-KO 60/500/45°	■ FeZn-H	60	500	1,5	3,30	2	<b>88716735</b>
PKL-KO 60/600/45°	■ FeZn-H	60	600	1,5	3,79	2	<b>88716736</b>
PKL-KO 60/700/45°	■ FeZn-H	60	700	1,5	4,29	2	<b>88716737</b>
PKL-KO 60/800/45°	■ FeZn-H	60	800	1,5	4,78	2	<b>88716738</b>



# >> Cable ladders KL 60

KL  
CABLE LADDERS



### PKL-SO 60/- Side branch; Class: N

The **PKL-SO** elbow is bolted on the KL cable ladder with the **PKL-FS** fixed connecting element, which is installed on the outer side with **PPKP M6x12** (8x) connection bolts and **PPKP M6** (8x) flange nuts.

ITEM	MATERIAL	H (mm)	A (mm)	D (mm)	KG/PC.	PACKAGE	PROD. CODE
PKL-SO 60/100	■ FeZn	60	100	1,0	1,70	2	<b>88711141</b>
PKL-SO 60/200	■ FeZn	60	200	1,0	2,00	2	<b>88711142</b>
PKL-SO 60/300	■ FeZn	60	300	1,0	2,50	2	<b>88711143</b>
PKL-SO 60/400	■ FeZn	60	400	1,0	3,20	2	<b>88711144</b>
PKL-SO 60/500	■ FeZn	60	500	1,0	3,90	2	<b>88711145</b>
PKL-SO 60/600	■ FeZn	60	600	1,0	4,60	2	<b>88711146</b>
PKL-SO 60/700	■ FeZn	60	700	1,0	5,30	2	<b>88711147</b>
PKL-SO 60/800	■ FeZn	60	800	1,0	6,00	2	<b>88711148</b>

ITEM	MATERIAL	H (mm)	A (mm)	D (mm)	KG/PC.	PACKAGE	PROD. CODE
PKL-SO 60/100	■ Rf	60	100	1,0	1,70	2	<b>88711241</b>
PKL-SO 60/200	■ Rf	60	200	1,0	2,00	2	<b>88711242</b>
PKL-SO 60/300	■ Rf	60	300	1,0	2,50	2	<b>88711243</b>
PKL-SO 60/400	■ Rf	60	400	1,0	3,20	2	<b>88711244</b>
PKL-SO 60/500	■ Rf	60	500	1,0	3,90	2	<b>88711245</b>
PKL-SO 60/600	■ Rf	60	600	1,0	4,60	2	<b>88711246</b>
PKL-SO 60/700	■ Rf	60	700	1,0	5,30	2	<b>88711247</b>
PKL-SO 60/800	■ Rf	60	800	1,0	6,00	2	<b>88711248</b>

ITEM	MATERIAL	H (mm)	A (mm)	D (mm)	KG/PC.	PACKAGE	PROD. CODE
PKL-SO 60/100	■ FeZn-H	60	100	1,0	1,87	2	<b>88711641</b>
PKL-SO 60/200	■ FeZn-H	60	200	1,0	2,20	2	<b>88711642</b>
PKL-SO 60/300	■ FeZn-H	60	300	1,0	2,75	2	<b>88711643</b>
PKL-SO 60/400	■ FeZn-H	60	400	1,0	3,52	2	<b>88711644</b>
PKL-SO 60/500	■ FeZn-H	60	500	1,0	4,29	2	<b>88711645</b>
PKL-SO 60/600	■ FeZn-H	60	600	1,0	5,06	2	<b>88711646</b>
PKL-SO 60/700	■ FeZn-H	60	700	1,0	5,83	2	<b>88711647</b>
PKL-SO 60/800	■ FeZn-H	60	800	1,0	6,60	2	<b>88711648</b>

ITEM	MATERIAL	H (mm)	A (mm)	D (mm)	KG/PC.	PACKAGE	PROD. CODE
PKL-SO 60/100	■ Rf*H4	60	100	1,0	1,70	2	<b>88711441*</b>
PKL-SO 60/200	■ Rf*H4	60	200	1,0	2,00	2	<b>88711442*</b>
PKL-SO 60/300	■ Rf*H4	60	300	1,0	2,50	2	<b>88711443*</b>
PKL-SO 60/400	■ Rf*H4	60	400	1,0	3,20	2	<b>88711444*</b>
PKL-SO 60/500	■ Rf*H4	60	500	1,0	3,90	2	<b>88711445*</b>
PKL-SO 60/600	■ Rf*H4	60	600	1,0	4,60	2	<b>88711446*</b>
PKL-SO 60/700	■ Rf*H4	60	700	1,0	5,30	2	<b>88711447*</b>
PKL-SO 60/800	■ Rf*H4	60	800	1,0	6,00	2	<b>88711448*</b>

ITEM	MATERIAL	H (mm)	A (mm)	D (mm)	KG/PC.	PACKAGE	PROD. CODE
PKL-SO 60/100	■ FeZn-PVC	60	100	1,0	1,87	2	<b>88711341*</b>
PKL-SO 60/200	■ FeZn-PVC	60	200	1,0	2,20	2	<b>88711342*</b>
PKL-SO 60/300	■ FeZn-PVC	60	300	1,0	2,75	2	<b>88711343*</b>
PKL-SO 60/400	■ FeZn-PVC	60	400	1,0	3,52	2	<b>88711344*</b>
PKL-SO 60/500	■ FeZn-PVC	60	500	1,0	4,29	2	<b>88711345*</b>
PKL-SO 60/600	■ FeZn-PVC	60	600	1,0	5,06	2	<b>88711346*</b>
PKL-SO 60/700	■ FeZn-PVC	60	700	1,0	5,83	2	<b>88711347*</b>
PKL-SO 60/800	■ FeZn-PVC	60	800	1,0	6,60	2	<b>88711348*</b>

\* upon request

## >> Cable ladders KL 60

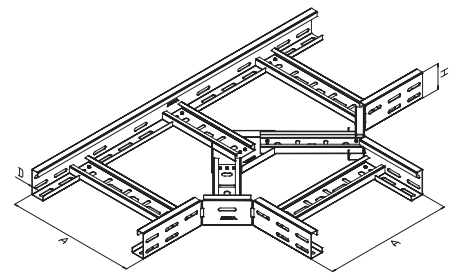
### PKL-SO 60/- Side branch; Class: H

The **PKL-SO** elbow is bolted on the KL cable ladder with the **PKL-FS** fixed connecting element, which is installed on the outer side with **PPKP M6x12** (8x) connection bolts and **PPKP M6** (8x) flange nuts.

ITEM	MATERIAL	H (mm)	A (mm)	D (mm)	KG/PC.	PACKAGE	PROD. CODE
PKL-SO 60/100	■ FeZn	60	100	1,5	2,60	2	<b>88711841</b>
PKL-SO 60/200	■ FeZn	60	200	1,5	3,20	2	<b>88711842</b>
PKL-SO 60/300	■ FeZn	60	300	1,5	3,80	2	<b>88711843</b>
PKL-SO 60/400	■ FeZn	60	400	1,5	4,50	2	<b>88711844</b>
PKL-SO 60/500	■ FeZn	60	500	1,5	5,10	2	<b>88711845</b>
PKL-SO 60/600	■ FeZn	60	600	1,5	5,70	2	<b>88711846</b>
PKL-SO 60/700	■ FeZn	60	700	1,5	6,30	2	<b>88711847</b>
PKL-SO 60/800	■ FeZn	60	800	1,5	6,80	2	<b>88711848</b>

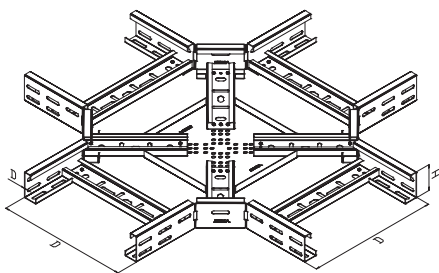
ITEM	MATERIAL	H (mm)	A (mm)	D (mm)	KG/PC.	PACKAGE	PROD. CODE
PKL-SO 60/100	■ Rf	60	100	1,5	2,60	2	<b>88712341</b>
PKL-SO 60/200	■ Rf	60	200	1,5	3,20	2	<b>88712342</b>
PKL-SO 60/300	■ Rf	60	300	1,5	3,80	2	<b>88712343</b>
PKL-SO 60/400	■ Rf	60	400	1,5	4,50	2	<b>88712344</b>
PKL-SO 60/500	■ Rf	60	500	1,5	5,10	2	<b>88712345</b>
PKL-SO 60/600	■ Rf	60	600	1,5	5,70	2	<b>88712346</b>
PKL-SO 60/700	■ Rf	60	700	1,5	6,30	2	<b>88712347</b>
PKL-SO 60/800	■ Rf	60	800	1,5	6,80	2	<b>88712348</b>

ITEM	MATERIAL	H (mm)	A (mm)	D (mm)	KG/PC.	PACKAGE	PROD. CODE
PKL-SO 60/100	■ FeZn-H	60	100	1,5	2,87	2	<b>88716741</b>
PKL-SO 60/200	■ FeZn-H	60	200	1,5	3,52	2	<b>88716742</b>
PKL-SO 60/300	■ FeZn-H	60	300	1,5	4,18	2	<b>88716743</b>
PKL-SO 60/400	■ FeZn-H	60	400	1,5	4,95	2	<b>88716744</b>
PKL-SO 60/500	■ FeZn-H	60	500	1,5	5,61	2	<b>88716745</b>
PKL-SO 60/600	■ FeZn-H	60	600	1,5	6,27	2	<b>88716746</b>
PKL-SO 60/700	■ FeZn-H	60	700	1,5	6,93	2	<b>88716747</b>
PKL-SO 60/800	■ FeZn-H	60	800	1,5	7,48	2	<b>88716748</b>



# >> Cable ladders KL 60

KL  
CABLE LADDERS



### PKL-KR 60/- Cross-over Class: N

The **PKL-KR** cross-over is bolted on the KL cable ladder with the **PKL-FS** fixed connecting element, which is installed on the outer side with **PPKP M6x12** (8x) connection bolts and **PPKP M6** (8x) flange nuts.

ITEM	MATERIAL	H (mm)	A (mm)	D (mm)	KG/PC.	PACKAGE	PROD. CODE
PKL-KR 60/100	■ FeZn	60	100	1,0	2,10	2	<b>88711151</b>
PKL-KR 60/200	■ FeZn	60	200	1,0	2,70	2	<b>88711152</b>
PKL-KR 60/300	■ FeZn	60	300	1,0	3,40	2	<b>88711153</b>
PKL-KR 60/400	■ FeZn	60	400	1,0	4,00	2	<b>88711154</b>
PKL-KR 60/500	■ FeZn	60	500	1,0	4,70	2	<b>88711155</b>
PKL-KR 60/600	■ FeZn	60	600	1,0	5,50	2	<b>88711156</b>
PKL-KR 60/700	■ FeZn	60	700	1,0	6,30	2	<b>88711157</b>
PKL-KR 60/800	■ FeZn	60	800	1,0	7,10	2	<b>88711158</b>

ITEM	MATERIAL	H (mm)	A (mm)	D (mm)	KG/PC.	PACKAGE	PROD. CODE
PKL-KR 60/100	■ Rf	60	100	1,0	2,10	2	<b>88711251</b>
PKL-KR 60/200	■ Rf	60	200	1,0	2,70	2	<b>88711252</b>
PKL-KR 60/300	■ Rf	60	300	1,0	3,40	2	<b>88711253</b>
PKL-KR 60/400	■ Rf	60	400	1,0	4,00	2	<b>88711254</b>
PKL-KR 60/500	■ Rf	60	500	1,0	4,70	2	<b>88711255</b>
PKL-KR 60/600	■ Rf	60	600	1,0	5,50	2	<b>88711256</b>
PKL-KR 60/700	■ Rf	60	700	1,0	6,30	2	<b>88711257</b>
PKL-KR 60/800	■ Rf	60	800	1,0	7,10	2	<b>88711258</b>

ITEM	MATERIAL	H (mm)	A (mm)	D (mm)	KG/PC.	PACKAGE	PROD. CODE
PKL-KR 60/100	■ FeZn-H	60	100	1,0	2,31	2	<b>88711651</b>
PKL-KR 60/200	■ FeZn-H	60	200	1,0	2,97	2	<b>88711652</b>
PKL-KR 60/300	■ FeZn-H	60	300	1,0	3,74	2	<b>88711653</b>
PKL-KR 60/400	■ FeZn-H	60	400	1,0	4,40	2	<b>88711654</b>
PKL-KR 60/500	■ FeZn-H	60	500	1,0	5,17	2	<b>88711655</b>
PKL-KR 60/600	■ FeZn-H	60	600	1,0	6,05	2	<b>88711656</b>
PKL-KR 60/700	■ FeZn-H	60	700	1,0	6,93	2	<b>88711657</b>
PKL-KR 60/800	■ FeZn-H	60	800	1,0	7,81	2	<b>88711658</b>

ITEM	MATERIAL	H (mm)	A (mm)	D (mm)	KG/PC.	PACKAGE	PROD. CODE
PKL-KR 60/100	■ Rf*H4	60	100	1,0	2,10	2	<b>88711451*</b>
PKL-KR 60/200	■ Rf*H4	60	200	1,0	2,70	2	<b>88711452*</b>
PKL-KR 60/300	■ Rf*H4	60	300	1,0	3,40	2	<b>88711453*</b>
PKL-KR 60/400	■ Rf*H4	60	400	1,0	4,00	2	<b>88711454*</b>
PKL-KR 60/500	■ Rf*H4	60	500	1,0	4,70	2	<b>88711455*</b>
PKL-KR 60/600	■ Rf*H4	60	600	1,0	5,50	2	<b>88711456*</b>
PKL-KR 60/700	■ Rf*H4	60	700	1,0	6,30	2	<b>88711457*</b>
PKL-KR 60/800	■ Rf*H4	60	800	1,0	7,10	2	<b>88711458*</b>

ITEM	MATERIAL	H (mm)	A (mm)	D (mm)	KG/PC.	PACKAGE	PROD. CODE
PKL-KR 60/100	■ FeZn-PVC	60	100	1,0	2,31	2	<b>88711351*</b>
PKL-KR 60/200	■ FeZn-PVC	60	200	1,0	2,97	2	<b>88711352*</b>
PKL-KR 60/300	■ FeZn-PVC	60	300	1,0	3,74	2	<b>88711353*</b>
PKL-KR 60/400	■ FeZn-PVC	60	400	1,0	4,40	2	<b>88711354*</b>
PKL-KR 60/500	■ FeZn-PVC	60	500	1,0	5,17	2	<b>88711355*</b>
PKL-KR 60/600	■ FeZn-PVC	60	600	1,0	6,05	2	<b>88711356*</b>
PKL-KR 60/700	■ FeZn-PVC	60	700	1,0	6,93	2	<b>88711357*</b>
PKL-KR 60/800	■ FeZn-PVC	60	800	1,0	7,81	2	<b>88711358*</b>

\* upon request



## >> Cable ladders KL 60

### PKL-RED Reduction element - right; Class: N

The **PKL-RED** right reduction element is bolted on the KL cable ladder with the **PKL-FS** fixed connecting element, which is installed on the outer side with **PPKP M6x12** (8x) connection bolts and **PPKP M6** (8x) flange nuts. Delivery of other dimensions, e.g. **PKL-RED 600/200**, is also possible.

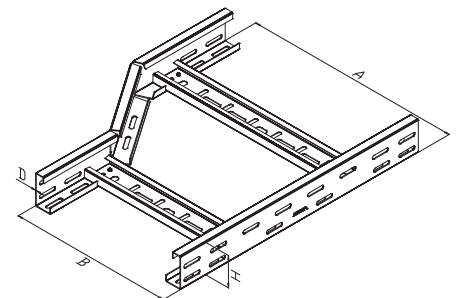
ITEM	MATERIAL	H (mm)	A/B (mm)	D (mm)	PACKAGE	PROD. CODE
PKL-RED 60/200/100	■ FeZn	60	200/100	1,0	2	<b>88711162</b>
PKL-RED 60/300/200	■ FeZn	60	300/200	1,0	2	<b>88711163</b>
PKL-RED 60/400/300	■ FeZn	60	400/300	1,0	2	<b>88711164</b>
PKL-RED 60/500/400	■ FeZn	60	500/400	1,0	2	<b>88711165</b>
PKL-RED 60/600/500	■ FeZn	60	600/500	1,0	2	<b>88711166</b>
PKL-RED 60/700/600	■ FeZn	60	700/600	1,0	2	<b>88711167</b>
PKL-RED 60/800/700	■ FeZn	60	800/700	1,0	2	<b>88711168</b>

ITEM	MATERIAL	H (mm)	A/B (mm)	D (mm)	PACKAGE	PROD. CODE
PKL-RED 60/200/100	■ Rf	60	200/100	1,0	2	<b>88711262</b>
PKL-RED 60/300/200	■ Rf	60	300/200	1,0	2	<b>88711263</b>
PKL-RED 60/400/300	■ Rf	60	400/300	1,0	2	<b>88711264</b>
PKL-RED 60/500/400	■ Rf	60	500/400	1,0	2	<b>88711265</b>
PKL-RED 60/600/500	■ Rf	60	600/500	1,0	2	<b>88711266</b>
PKL-RED 60/700/600	■ Rf	60	700/600	1,0	2	<b>88711267</b>
PKL-RED 60/800/700	■ Rf	60	800/700	1,0	2	<b>88711268</b>

ITEM	MATERIAL	H (mm)	A/B (mm)	D (mm)	PACKAGE	PROD. CODE
PKL-RED 60/200/100	■ FeZn-H	60	200/100	1,0	2	<b>88711662</b>
PKL-RED 60/300/200	■ FeZn-H	60	300/200	1,0	2	<b>88711663</b>
PKL-RED 60/400/300	■ FeZn-H	60	400/300	1,0	2	<b>88711664</b>
PKL-RED 60/500/400	■ FeZn-H	60	500/400	1,0	2	<b>88711665</b>
PKL-RED 60/600/500	■ FeZn-H	60	600/500	1,0	2	<b>88711666</b>
PKL-RED 60/700/600	■ FeZn-H	60	700/600	1,0	2	<b>88711667</b>
PKL-RED 60/800/700	■ FeZn-H	60	800/700	1,0	2	<b>88711668</b>

ITEM	MATERIAL	H (mm)	A/B (mm)	D (mm)	PACKAGE	PROD. CODE
PKL-RED 60/200/100	■ Rf*H4	60	200/100	1,0	2	<b>88711462*</b>
PKL-RED 60/300/200	■ Rf*H4	60	300/200	1,0	2	<b>88711463*</b>
PKL-RED 60/400/300	■ Rf*H4	60	400/300	1,0	2	<b>88711464*</b>
PKL-RED 60/500/400	■ Rf*H4	60	500/400	1,0	2	<b>88711465*</b>
PKL-RED 60/600/500	■ Rf*H4	60	600/500	1,0	2	<b>88711466*</b>
PKL-RED 60/700/600	■ Rf*H4	60	700/600	1,0	2	<b>88711467*</b>
PKL-RED 60/800/700	■ Rf*H4	60	800/700	1,0	2	<b>88711468*</b>

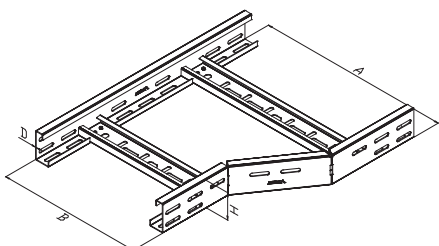
ITEM	MATERIAL	H (mm)	A/B (mm)	D (mm)	PACKAGE	PROD. CODE
PKL-RED 60/200/100	■ FeZn-PVC	60	200/100	1,0	2	<b>88711362*</b>
PKL-RED 60/300/200	■ FeZn-PVC	60	300/200	1,0	2	<b>88711363*</b>
PKL-RED 60/400/300	■ FeZn-PVC	60	400/300	1,0	2	<b>88711364*</b>
PKL-RED 60/500/400	■ FeZn-PVC	60	500/400	1,0	2	<b>88711365*</b>
PKL-RED 60/600/500	■ FeZn-PVC	60	600/500	1,0	2	<b>88711366*</b>
PKL-RED 60/700/600	■ FeZn-PVC	60	700/600	1,0	2	<b>88711367*</b>
PKL-RED 60/800/700	■ FeZn-PVC	60	800/700	1,0	2	<b>88711368*</b>



\* upon request

# >> Cable ladders KL 60

KL  
CABLE LADDERS



### PKL-REL Reduction element - left; Class: N

The **PKL-REL** left reduction element is bolted on the KL cable ladder with the **PKL-FS** fixed connecting element, which is installed on the outer side with **PPKP M6x12 (8x)** connection bolts and **PPKP M6 (8x)** flange nuts. Delivery of other dimensions, e.g. **PKL-REL 600/200**, is also possible.

ITEM	MATERIAL	H (mm)	A/B (mm)	D (mm)	PACKAGE	PROD. CODE
PKL-REL 60/200/100	■ FeZn	60	200/100	1,0	2	<b>88711122</b>
PKL-REL 60/300/200	■ FeZn	60	300/200	1,0	2	<b>88711123</b>
PKL-REL 60/400/300	■ FeZn	60	400/300	1,0	2	<b>88711124</b>
PKL-REL 60/500/400	■ FeZn	60	500/400	1,0	2	<b>88711125</b>
PKL-REL 60/600/500	■ FeZn	60	600/500	1,0	2	<b>88711126</b>
PKL-REL 60/700/600	■ FeZn	60	700/600	1,0	2	<b>88711127</b>
PKL-REL 60/800/700	■ FeZn	60	800/700	1,0	2	<b>88711128</b>

ITEM	MATERIAL	H (mm)	A/B (mm)	D (mm)	PACKAGE	PROD. CODE
PKL-REL 60/200/100	■ Rf	60	200/100	1,0	2	<b>88711222</b>
PKL-REL 60/300/200	■ Rf	60	300/200	1,0	2	<b>88711223</b>
PKL-REL 60/400/300	■ Rf	60	400/300	1,0	2	<b>88711224</b>
PKL-REL 60/500/400	■ Rf	60	500/400	1,0	2	<b>88711225</b>
PKL-REL 60/600/500	■ Rf	60	600/500	1,0	2	<b>88711226</b>
PKL-REL 60/700/600	■ Rf	60	700/600	1,0	2	<b>88711227</b>
PKL-REL 60/800/700	■ Rf	60	800/700	1,0	2	<b>88711228</b>

ITEM	MATERIAL	H (mm)	A/B (mm)	D (mm)	PACKAGE	PROD. CODE
PKL-REL 60/200/100	■ FeZn-H	60	200/100	1,0	2	<b>88711622</b>
PKL-REL 60/300/200	■ FeZn-H	60	300/200	1,0	2	<b>88711623</b>
PKL-REL 60/400/300	■ FeZn-H	60	400/300	1,0	2	<b>88711624</b>
PKL-REL 60/500/400	■ FeZn-H	60	500/400	1,0	2	<b>88711625</b>
PKL-REL 60/600/500	■ FeZn-H	60	600/500	1,0	2	<b>88711626</b>
PKL-REL 60/700/600	■ FeZn-H	60	700/600	1,0	2	<b>88711627</b>
PKL-REL 60/800/700	■ FeZn-H	60	800/700	1,0	2	<b>88711628</b>

ITEM	MATERIAL	H (mm)	A/B (mm)	D (mm)	PACKAGE	PROD. CODE
PKL-REL 60/200/100	■ Rf*H4	60	200/100	1,0	2	<b>88711422*</b>
PKL-REL 60/300/200	■ Rf*H4	60	300/200	1,0	2	<b>88711423*</b>
PKL-REL 60/400/300	■ Rf*H4	60	400/300	1,0	2	<b>88711424*</b>
PKL-REL 60/500/400	■ Rf*H4	60	500/400	1,0	2	<b>88711425*</b>
PKL-REL 60/600/500	■ Rf*H4	60	600/500	1,0	2	<b>88711426*</b>
PKL-REL 60/700/600	■ Rf*H4	60	700/600	1,0	2	<b>88711427*</b>
PKL-REL 60/800/700	■ Rf*H4	60	800/700	1,0	2	<b>88711428*</b>

ITEM	MATERIAL	H (mm)	A/B (mm)	D (mm)	PACKAGE	PROD. CODE
PKL-REL 60/200/100	■ FeZn-PVC	60	200/100	1,0	2	<b>88711322*</b>
PKL-REL 60/300/200	■ FeZn-PVC	60	300/200	1,0	2	<b>88711323*</b>
PKL-REL 60/400/300	■ FeZn-PVC	60	400/300	1,0	2	<b>88711324*</b>
PKL-REL 60/500/400	■ FeZn-PVC	60	500/400	1,0	2	<b>88711325*</b>
PKL-REL 60/600/500	■ FeZn-PVC	60	600/500	1,0	2	<b>88711326*</b>
PKL-REL 60/700/600	■ FeZn-PVC	60	700/600	1,0	2	<b>88711327*</b>
PKL-REL 60/800/700	■ FeZn-PVC	60	800/700	1,0	2	<b>88711328*</b>

\* upon request



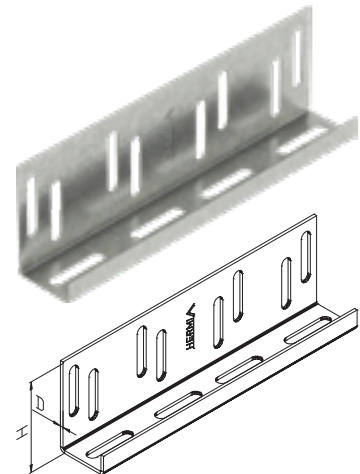


## >> Cable ladders KL 60

### PKL-FS 60 Fixed connection of cable ladders; Class: N

The **PKL-FS** fixed connection is designed to connect **KL** cable ladders between themselves and to the **PKL-RED, PKL-KO, PKL-KR** connecting elements. The **PKL-FS** fixed connection is installed on the outer side with **PPKP M6x12** (8x) connection bolts and **PPKP M6** (8x) flange nuts. To connect two ladders, **2x PKL-FS** are required.

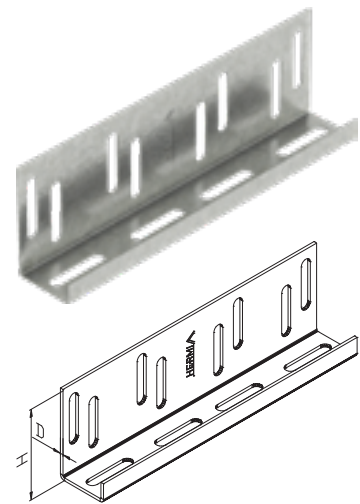
ITEM	MATERIAL	H (mm)	D (mm)	KG/PC.	PACKAGE	PROD. CODE
PKL-FS 60	■ FeZn	60	1,0	0,14	75	<b>88711172</b>
PKL-FS 60	■ Rf	60	1,0	0,14	75	<b>88712272</b>
PKL-FS 60	■ FeZn-H	60	1,0	0,15	75	<b>88716672</b>
PKL-FS 60	■ Rf*H4	60	1,0	0,14	75	<b>88714472*</b>
PKL-FS 60	■ FeZn-PVC	60	1,0	0,15	75	<b>88713372*</b>



### PKL-FS 60 Fixed connection of cable ladders; Class: H

The **PKL-FS** fixed connection is designed to connect **KL** cable ladders between themselves and to the **PKL-RED, PKL-KO, PKL-KR** connecting elements. The **PKL-FS** fixed connection is installed on the outer side with **PPKP M6x12** (8x) connection bolts and **PPKP M6** (8x) flange nuts. To connect two ladders, **2x PKL-FS** are required.

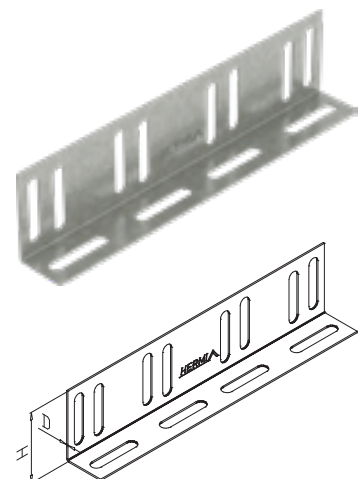
ITEM	MATERIAL	H (mm)	D (mm)	KG/PC.	PACKAGE	PROD. CODE
PKL-FS 60	■ FeZn	60	1,5	0,21	75	<b>88711812</b>
PKL-FS 60	■ Rf	60	1,5	0,21	75	<b>88712312</b>
PKL-FS 60	■ FeZn-H	60	1,5	0,23	75	<b>88716709</b>
PKL-FS 60	■ Rf*H4	60	1,5	0,21	75	<b>88714512</b>



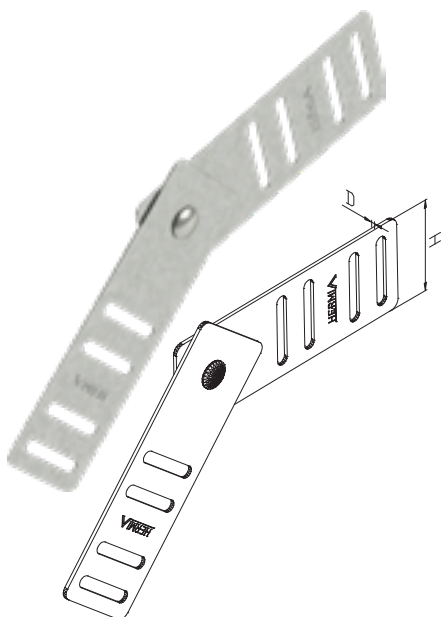
### PKL-FSV 60 Vertical fixed connection of cable ladders; Class: N

The **PKL-FSV** fixed connection is designed to connect **KL** cable ladders between themselves and to the **PKL-RED, PKL-KO, PKL-KR** connecting elements. The **PKL-FSV** fixed connection is installed on the inner side with **PPKP M6x12** (8x) connection bolts and **PPKP M6** (8x) flange nuts. To connect two ladders, **2x PKL-FS** are required.

ITEM	MATERIAL	H (mm)	PACKAGE	PROD. CODE
PKL-FSV 60	■ FeZn	60	75	<b>88711875</b>
PKL-FSV 60	■ Rf	60	75	<b>88712375</b>
PKL-FSV 60	■ FeZn-H	60	75	<b>88716775</b>



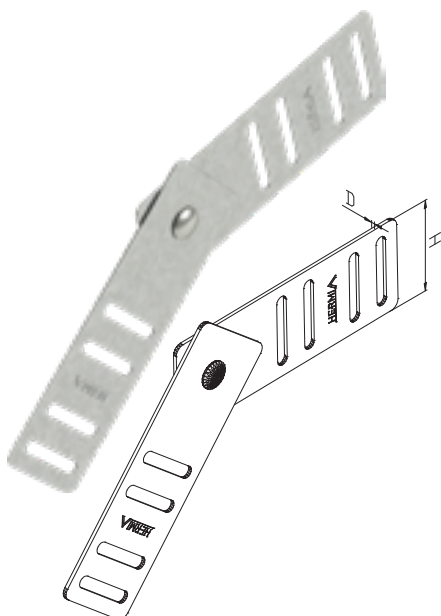
## >> Cable ladders KL 60



### PKL-GS 60 Flexible connection of cable ladders; Class: N

The **PKL-GS** flexible connection is designed to connect **KL** cable ladders between themselves. The **PKL-GS** flexible connection is installed on the outer side with **PPKP M6x12** (8x) connection bolts and **PPKP M6** (8x) flange nuts. To connect two ladders, **2x PKL-GS** are required.

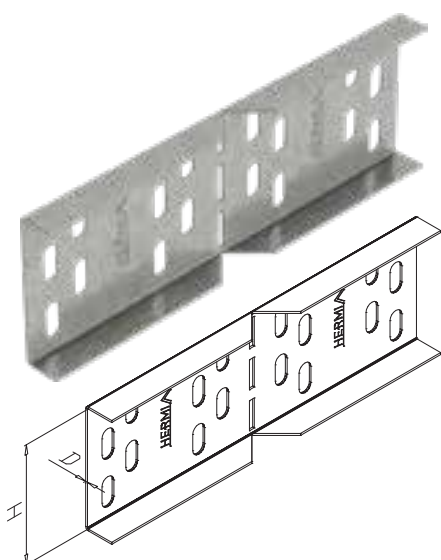
ITEM	MATERIAL	H (mm)	D (mm)	KG/PC.	PACKAGE	PROD. CODE
PKL-GS 60	■ FeZn	60	1,0	0,14	50	<b>88711171</b>
PKL-GS 60	■ Rf	60	1,0	0,14	50	<b>88712271</b>
PKL-GS 60	■ FeZn-H	60	1,0	0,15	50	<b>88716671</b>
PKL-GS 60	■ Rf*H4	60	1,0	0,15	50	<b>88714471*</b>
PKL-GS 60	■ FeZn-PVC	60	1,0	0,14	50	<b>88713371*</b>



### PKL-GS 60 Flexible connection of cable ladders; Class: H

The **PKL-GS** flexible connection is designed to connect **KL** cable ladders between themselves. The **PKL-GS** flexible connection is installed on the outer side with **PPKP M6x12** (8x) connection bolts and **PPKP M6** (8x) flange nuts. To connect two ladders, **2x PKL-GS** are required.

ITEM	MATERIAL	H (mm)	D (mm)	KG/PC.	PACKAGE	PROD. CODE
PKL-GS 60	■ FeZn	60	1,5	0,21	50	<b>88711814</b>
PKL-GS 60	■ Rf	60	1,5	0,21	50	<b>88712314</b>
PKL-GS 60	■ FeZn-H	60	1,5	0,23	50	<b>88716714</b>



### PKL-GSH 60 Horizontal flexible cable ladder joint; Class: N

The horizontal flexible **PKL-GSH** joint is designed for joining **KL** cable ladders and is mounted on the outside of the cable ladder with **PPKP M6x12** (8x) connection bolts and **PPKP M6** (8x) flange nuts. For joining two cable ladders, **2 pcs PKL-GSH** are required.

ITEM	MATERIAL	H (mm)	D (mm)	KG/PC.	PACKAGE	PROD. CODE
PKL-GSH 60	■ FeZn	60	1,0	0,11	100	<b>88711870</b>
PKL-GSH 60	■ Rf	60	1,0	0,11	100	<b>88712370</b>
PKL-GSH 60	■ FeZn-H	60	1,0	0,12	100	<b>88716770</b>

\* upon request

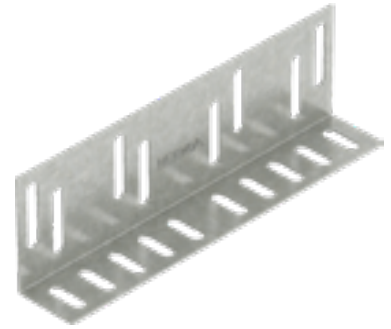


## >> Cable ladders KL 60

### PKP-UFS 60 Universal fixed coupling element

The coupling element is used in all three programs (Cable trays, Mesh cable trays, Cable ladders) in the case of connecting different programs with each other. For making a joint, **2 pcs PKP-UFS 60** are required.

ITEM	MATERIAL	D (mm)	PACKAGE	PROD. CODE
PKP-UFS 60	■ FeZn	1,0	75	<b>88701386</b>
PKP-UFS 60	■ Rf	1,0	75	<b>88702486</b>
PKP-UFS 60	■ FeZn-H	1,0	75	<b>88706802</b>



### PKL-KOB05 Cable clamp

The **PKL-KOB05** cable clamp is designed for the attachment of cables to **HERMI KL** cable ladders or **NKP-PL** perforated profiles. Cables, laid on the top side of the ladder, are fixed on the cross bar of the ladder. Using a **M6x50 bolt**, which is a part of the clamp, the cable gets fixed onto the ladder. The **PKL-KOB05** cable clamp is suitable for cables with diameters of **10-28, 28-40, 40-52, 52-64** in **64-76** mm.

ITEM	MATERIAL	CABLE DIAMETER (mm)	KG/PC.	PACKAGE	PROD. CODE
PKL-KOB05 10-28	■ FeZn	10-28	0,07	50	<b>88712010</b>
PKL-KOB05 28-40	■ FeZn	28-40	0,09	100	<b>88712011</b>
PKL-KOB05 40-52	■ FeZn	40-52	0,10	100	<b>88712012</b>
PKL-KOB05 52-64	■ FeZn	52-64	0,12	50	<b>88712013</b>
PKL-KOB05 64-76	■ FeZn	64-76	0,13	50	<b>88712014</b>

ITEM	MATERIAL	CABLE DIAMETER (mm)	KG/PC.	PACKAGE	PROD. CODE
PKL-KOB05 10-28	■ Rf	10-28	0,07	50	<b>88712510</b>
PKL-KOB05 28-40	■ Rf	28-40	0,09	100	<b>88712511</b>
PKL-KOB05 40-52	■ Rf	40-52	0,10	100	<b>88712512</b>
PKL-KOB05 52-64	■ Rf	52-64	0,12	50	<b>88712513</b>
PKL-KOB05 64-76	■ Rf	64-76	0,13	50	<b>88712514</b>

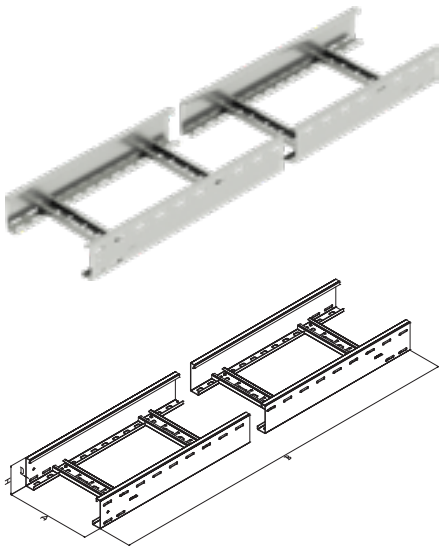
ITEM	MATERIAL	CABLE DIAMETER (mm)	KG/PC.	PACKAGE	PROD. CODE
PKL-KOB05 10-28	■ FeZn-H	10-28	0,08	50	<b>88717020</b>
PKL-KOB05 28-40	■ FeZn-H	28-40	0,10	100	<b>88717021</b>
PKL-KOB05 40-52	■ FeZn-H	40-52	0,11	100	<b>88717022</b>
PKL-KOB05 52-64	■ FeZn-H	52-64	0,13	50	<b>88717023</b>
PKL-KOB05 64-76	■ FeZn-H	64-76	0,14	50	<b>88717024</b>

ITEM	MATERIAL	CABLE DIAMETER (mm)	KG/PC.	PACKAGE	PROD. CODE
PKL-KOB05 10-28	■ Rf*H4	10-28	0,07	50	<b>88714710*</b>
PKL-KOB05 28-40	■ Rf*H4	28-40	0,09	100	<b>88714711*</b>
PKL-KOB05 40-52	■ Rf*H4	40-52	0,10	100	<b>88714712*</b>
PKL-KOB05 52-64	■ Rf*H4	52-64	0,12	50	<b>88714713*</b>
PKL-KOB05 64-76	■ Rf*H4	64-76	0,13	50	<b>88714714*</b>



\* upon request

# Cable ladders KL 100



## KL 100/- Cable ladders; L= 3000 mm; H= 100 mm; Class: N

Cable ladders of **100 mm** in height and of various widths, made of galvanised sheet metal or stainless steel, optionally powder painted in the desired colour. The length of an individual cable ladder is **3,0 m**. Cable ladders are attached to the wall, ceiling or floor with the suitable **NKP** brackets. For joining two cable ladders, **2 pcs PKL-FS** are required.

ITEM	MATERIAL	H (mm)	A (mm)	B (mm)	D (mm)	KG/PC.	PACKAGE	PROD. CODE
KL 100/100	■ FeZn	100	100	3000	1,0	7,80	2	<b>88710121</b>
KL 100/200	■ FeZn	100	200	3000	1,0	8,30	2	<b>88710122</b>
KL 100/300	■ FeZn	100	300	3000	1,0	8,90	2	<b>88710500</b>
KL 100/400	■ FeZn	100	400	3000	1,0	9,50	2	<b>88710124</b>
KL 100/500	■ FeZn	100	500	3000	1,0	10,10	2	<b>88710125</b>
KL 100/600	■ FeZn	100	600	3000	1,0	10,70	2	<b>88710126</b>
KL 100/700	■ FeZn	100	700	3000	1,0	11,30	2	<b>88710127</b>
KL 100/800	■ FeZn	100	800	3000	1,0	12,00	2	<b>88710128</b>

ITEM	MATERIAL	H (mm)	A (mm)	B (mm)	D (mm)	KG/PC.	PACKAGE	PROD. CODE
KL 100/100	■ Rf	100	100	3000	1,0	7,80	2	<b>88710221</b>
KL 100/200	■ Rf	100	200	3000	1,0	8,30	2	<b>88710222</b>
KL 100/300	■ Rf	100	300	3000	1,0	8,90	2	<b>88710223</b>
KL 100/400	■ Rf	100	400	3000	1,0	9,50	2	<b>88710224</b>
KL 100/500	■ Rf	100	500	3000	1,0	10,10	2	<b>88710225</b>
KL 100/600	■ Rf	100	600	3000	1,0	10,70	2	<b>88710226</b>
KL 100/700	■ Rf	100	700	3000	1,0	11,30	2	<b>88710227</b>
KL 100/800	■ Rf	100	800	3000	1,0	12,00	2	<b>88710228</b>

ITEM	MATERIAL	H (mm)	A (mm)	B (mm)	D (mm)	KG/PC.	PACKAGE	PROD. CODE
KL 100/100	■ FeZn-H	100	100	3000	1,0	8,60	2	<b>88710621</b>
KL 100/200	■ FeZn-H	100	200	3000	1,0	9,10	2	<b>88710622</b>
KL 100/300	■ FeZn-H	100	300	3000	1,0	9,80	2	<b>88710623</b>
KL 100/400	■ FeZn-H	100	400	3000	1,0	10,50	2	<b>88710624</b>
KL 100/500	■ FeZn-H	100	500	3000	1,0	11,10	2	<b>88710625</b>
KL 100/600	■ FeZn-H	100	600	3000	1,0	11,80	2	<b>88710626</b>
KL 100/700	■ FeZn-H	100	700	3000	1,0	12,40	2	<b>88710627</b>
KL 100/800	■ FeZn-H	100	800	3000	1,0	13,20	2	<b>88710628</b>



## >> Cable ladders KL 100

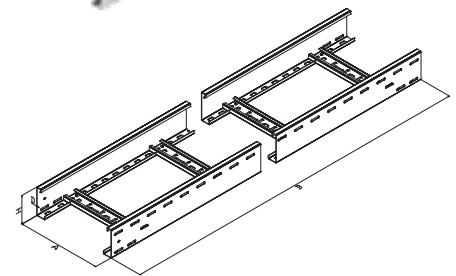
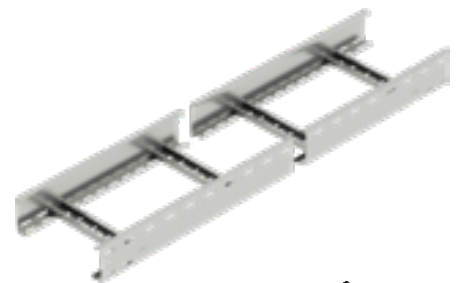
### KL 100/- Cable ladders; L= 3000 mm; H= 100 mm; Class: H

Cable ladders of **100 mm** in height and of various widths, made of galvanised sheet metal or stainless steel, optionally powder painted in the desired colour. The length of an individual cable ladder is **3,0 m**. Cable ladders are attached to the wall, ceiling or floor with the suitable **NKP** brackets. For joining two cable ladders, **2 pcs PKL-FS** are required.

ITEM	MATERIAL	H (mm)	A (mm)	B (mm)	D (mm)	KG/PC.	PACKAGE	PROD. CODE
KL 100/100	■ FeZn	100	100	3000	1,5	12,00	2	<b>88710141</b>
KL 100/200	■ FeZn	100	150	3000	1,5	13,00	2	<b>88710142</b>
KL 100/300	■ FeZn	100	200	3000	1,5	14,00	2	<b>88710143</b>
KL 100/400	■ FeZn	100	300	3000	1,5	15,00	2	<b>88710144</b>
KL 100/500	■ FeZn	100	400	3000	1,5	16,00	2	<b>88710145</b>
KL 100/600	■ FeZn	100	500	3000	1,5	17,00	2	<b>88710146</b>

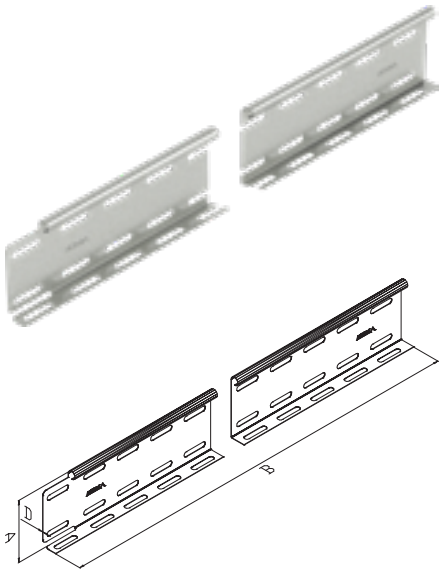
ITEM	MATERIAL	H (mm)	A (mm)	B (mm)	D (mm)	KG/PC.	PACKAGE	PROD. CODE
KL 100/100	■ Rf	100	100	3000	1,5	12,00	2	<b>88710241</b>
KL 100/200	■ Rf	100	200	3000	1,5	13,00	2	<b>88710242</b>
KL 100/300	■ Rf	100	300	3000	1,5	14,00	2	<b>88710243</b>
KL 100/400	■ Rf	100	400	3000	1,5	15,00	2	<b>88710244</b>
KL 100/500	■ Rf	100	500	3000	1,5	16,00	2	<b>88710245</b>
KL 100/600	■ Rf	100	600	3000	1,5	17,00	2	<b>88710246</b>

ITEM	MATERIAL	H (mm)	A (mm)	B (mm)	D (mm)	KG/PC.	PACKAGE	PROD. CODE
KL 100/100	■ FeZn-H	100	100	3000	1,5	12,50	2	<b>88710641</b>
KL 100/200	■ FeZn-H	100	200	3000	1,5	13,50	2	<b>88710642</b>
KL 100/300	■ FeZn-H	100	300	3000	1,5	14,50	2	<b>88710643</b>
KL 100/400	■ FeZn-H	100	400	3000	1,5	15,50	2	<b>88710644</b>
KL 100/500	■ FeZn-H	100	500	3000	1,5	16,50	2	<b>88710645</b>
KL 100/600	■ FeZn-H	100	600	3000	1,5	17,50	2	<b>88710646</b>



## >> Cable ladders KL 100

KL  
CABLE LADDERS



### KL-PR Cable ladder divider

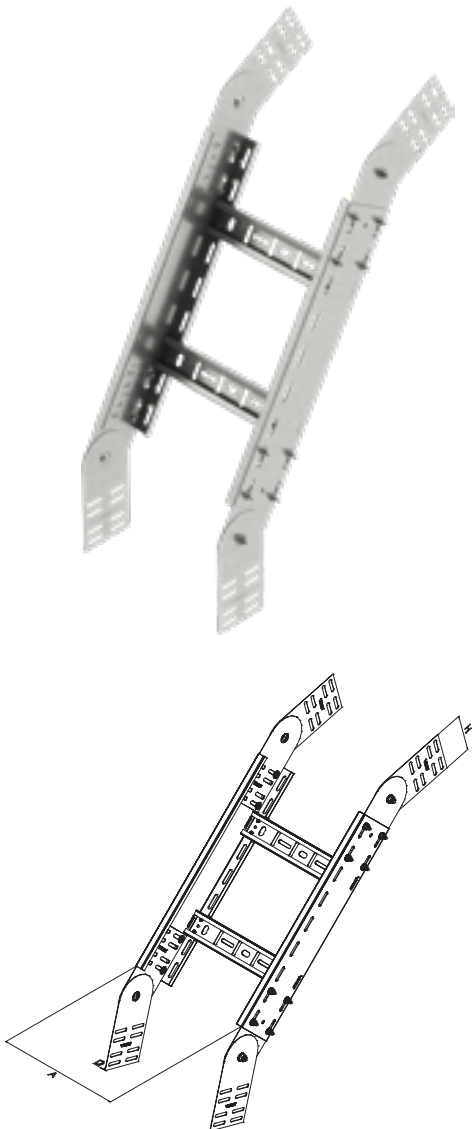
The **KL-PR** cable ladder divider is designed for separating conductors installed in cable ladders and preventing electromagnetic interference. The cable ladder divider is installed to a cable ladder with **PPKP-M6x12** (3x) connection bolts and **PPKP-M6** (3x) flange nuts.

ITEM	MATERIAL	A (mm)	B (mm)	D (mm)	KG/PC.	PACKAGE	PROD. CODE
KL-PR 100	■ FeZn	100	2000	0,6	1,20	10	<b>88710161</b>
KL-PR 100	■ Rf	100	2000	0,6	1,20	10	<b>88710261</b>
KL-PR 100	■ FeZn-H	100	2000	0,8	1,39	10	<b>88710661</b>
KL-PR 100	■ Rf*H4	100	2000	0,6	1,20	10	<b>88710461*</b>
KL-PR 100	■ FeZn-PVC	100	2000	0,6	1,32	10	<b>88710361*</b>

ITEM	MATERIAL	A (mm)	B (mm)	D (mm)	KG/PC.	PACKAGE	PROD. CODE
KL-PR 100	■ FeZn	100	3000	0,6		10	<b>88710166</b>
KL-PR 100	■ Rf	100	3000	0,6		10	
KL-PR 100	■ FeZn-H	100	3000	0,8		10	

### PKL-ZNK 100/- External / internal elbow; Class: H

The **PKL-ZNK** external/internal elbow is bolted on the KL cable ladder with **PPKP M6x12** (8x) connection bolts and **PPKP M6** (8x) flange nuts. For larger radiuses, **2x PKL-ZNK** are required.



ITEM	MATERIAL	H (mm)	A (mm)	D (mm)	PACKAGE	PROD. CODE
PKL-ZNK 100/100	■ FeZn	100	100	1,5	2	<b>88711701</b>
PKL-ZNK 100/200	■ FeZn	100	200	1,5	2	<b>88711702</b>
PKL-ZNK 100/300	■ FeZn	100	300	1,5	2	<b>88711703</b>
PKL-ZNK 100/400	■ FeZn	100	400	1,5	2	<b>88711704</b>
PKL-ZNK 100/500	■ FeZn	100	500	1,5	2	<b>88711705</b>
PKL-ZNK 100/600	■ FeZn	100	600	1,5	2	<b>88711706</b>
PKL-ZNK 100/700	■ FeZn	100	700	1,5	2	<b>88711707</b>
PKL-ZNK 100/800	■ FeZn	100	800	1,5	2	<b>88711708</b>

ITEM	MATERIAL	H (mm)	A (mm)	D (mm)	PACKAGE	PROD. CODE
PKL-ZNK 100/100	■ Rf	100	100	1,5	2	<b>88712201</b>
PKL-ZNK 100/200	■ Rf	100	200	1,5	2	<b>88712202</b>
PKL-ZNK 100/300	■ Rf	100	300	1,5	2	<b>88712203</b>
PKL-ZNK 100/400	■ Rf	100	400	1,5	2	<b>88712204</b>
PKL-ZNK 100/500	■ Rf	100	500	1,5	2	<b>88712205</b>
PKL-ZNK 100/600	■ Rf	100	600	1,5	2	<b>88712206</b>
PKL-ZNK 100/700	■ Rf	100	700	1,5	2	<b>88712207</b>
PKL-ZNK 100/800	■ Rf	100	800	1,5	2	<b>88712208</b>

ITEM	MATERIAL	H (mm)	A (mm)	D (mm)	PACKAGE	PROD. CODE
PKL-ZNK 100/100	■ FeZn-H	100	100	1,5	2	<b>88716881</b>
PKL-ZNK 100/200	■ FeZn-H	100	200	1,5	2	<b>88716882</b>
PKL-ZNK 100/300	■ FeZn-H	100	300	1,5	2	<b>88716883</b>
PKL-ZNK 100/400	■ FeZn-H	100	400	1,5	2	<b>88716884</b>
PKL-ZNK 100/500	■ FeZn-H	100	500	1,5	2	<b>88716885</b>
PKL-ZNK 100/600	■ FeZn-H	100	600	1,5	2	<b>88716886</b>
PKL-ZNK 100/700	■ FeZn-H	100	700	1,5	2	<b>88716887</b>
PKL-ZNK 100/800	■ FeZn-H	100	800	1,5	2	<b>88716888</b>

\* upon request



## >> Cable ladders KL 100

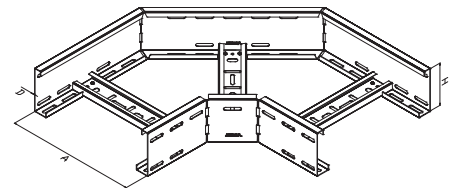
### PKL-KO 100/- Elbow 90°; Class: H

The **PKL-KO 90°** elbow is bolted on the KL cable ladder with the **PKL-FS** fixed connecting element, which is installed on the outer side with **PPKP M6x12** (8x) connection bolts and **PPKP M6** (8x) flange nuts.

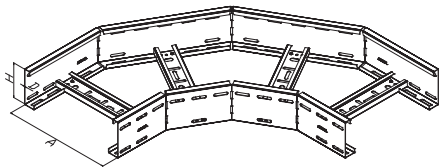
ITEM	MATERIAL	H (mm)	A (mm)	D (mm)	KG/PC.	PACKAGE	PROD. CODE
PKL-KO 100/100/90°	■ FeZn	100	100	1,5	2,00	2	<b>88711711</b>
PKL-KO 100/200/90°	■ FeZn	100	200	1,5	2,40	2	<b>88711712</b>
PKL-KO 100/300/90°	■ FeZn	100	300	1,5	2,90	2	<b>88711713</b>
PKL-KO 100/400/90°	■ FeZn	100	400	1,5	3,40	2	<b>88711714</b>
PKL-KO 100/500/90°	■ FeZn	100	500	1,5	3,90	2	<b>88711715</b>
PKL-KO 100/600/90°	■ FeZn	100	600	1,5	4,40	2	<b>88711716</b>
PKL-KO 100/700/90°	■ FeZn	100	700	1,5	4,90	2	<b>88711717</b>
PKL-KO 100/800/90°	■ FeZn	100	800	1,5	5,40	2	<b>88711718</b>

ITEM	MATERIAL	H (mm)	A (mm)	D (mm)	KG/PC.	PACKAGE	PROD. CODE
PKL-KO 100/100/90°	■ Rf	100	100	1,5	2,00	2	<b>88712211</b>
PKL-KO 100/200/90°	■ Rf	100	200	1,5	2,40	2	<b>88712212</b>
PKL-KO 100/300/90°	■ Rf	100	300	1,5	2,90	2	<b>88712213</b>
PKL-KO 100/400/90°	■ Rf	100	400	1,5	3,40	2	<b>88712214</b>
PKL-KO 100/500/90°	■ Rf	100	500	1,5	3,90	2	<b>88712215</b>
PKL-KO 100/600/90°	■ Rf	100	600	1,5	4,40	2	<b>88712216</b>
PKL-KO 100/700/90°	■ Rf	100	700	1,5	4,90	2	<b>88712217</b>
PKL-KO 100/800/90°	■ Rf	100	800	1,5	5,40	2	<b>88712218</b>

ITEM	MATERIAL	H (mm)	A (mm)	D (mm)	KG/PC.	PACKAGE	PROD. CODE
PKL-KO 100/100/90°	■ FeZn-H	100	100	1,5	2,20	2	<b>88716781</b>
PKL-KO 100/200/90°	■ FeZn-H	100	200	1,5	2,64	2	<b>88716782</b>
PKL-KO 100/300/90°	■ FeZn-H	100	300	1,5	3,19	2	<b>88716782</b>
PKL-KO 100/400/90°	■ FeZn-H	100	400	1,5	3,74	2	<b>88716784</b>
PKL-KO 100/500/90°	■ FeZn-H	100	500	1,5	4,29	2	<b>88716785</b>
PKL-KO 100/600/90°	■ FeZn-H	100	600	1,5	4,84	2	<b>88716786</b>
PKL-KO 100/700/90°	■ FeZn-H	100	700	1,5	5,39	2	<b>88716787</b>
PKL-KO 100/800/90°	■ FeZn-H	100	800	1,5	5,94	2	<b>88716788</b>



## >> Cable ladders KL 100



### PKL-KO 100/- Elbow 90°; r=300mm; Class: H

The **PKL-KO 90°** elbow is bolted on the KL cable ladder with the **PKL-FS** fixed connecting element, which is installed on the outer side with **PPKP M6x12 (8x)** connection bolts and **PPKP M6 (8x)** flange nuts. Elbow radius is **300 mm**.

ITEM	MATERIAL	H (mm)	A (mm)	R (mm)	D (mm)	PACKAGE	PROD. CODE
PKL-KO 100/100/90°	■ FeZn	100	100	300	1,5	2	<b>88711721</b>
PKL-KO 100/200/90°	■ FeZn	100	200	300	1,5	2	<b>88711722</b>
PKL-KO 100/300/90°	■ FeZn	100	300	300	1,5	2	<b>88711723</b>
PKL-KO 100/400/90°	■ FeZn	100	400	300	1,5	2	<b>88711724</b>
PKL-KO 100/500/90°	■ FeZn	100	500	300	1,5	2	<b>88711725</b>
PKL-KO 100/600/90°	■ FeZn	100	600	300	1,5	2	<b>88711726</b>
PKL-KO 100/700/90°	■ FeZn	100	700	300	1,5	2	<b>88711727</b>
PKL-KO 100/800/90°	■ FeZn	100	800	300	1,5	2	<b>88711728</b>

ITEM	MATERIAL	H (mm)	A (mm)	R (mm)	D (mm)	PACKAGE	PROD. CODE
PKL-KO 100/100/90°	■ Rf	100	100	300	1,5	2	<b>88712221</b>
PKL-KO 100/200/90°	■ Rf	100	200	300	1,5	2	<b>88712222</b>
PKL-KO 100/300/90°	■ Rf	100	300	300	1,5	2	<b>88712223</b>
PKL-KO 100/400/90°	■ Rf	100	400	300	1,5	2	<b>88712224</b>
PKL-KO 100/500/90°	■ Rf	100	500	300	1,5	2	<b>88712225</b>
PKL-KO 100/600/90°	■ Rf	100	600	300	1,5	2	<b>88712226</b>
PKL-KO 100/700/90°	■ Rf	100	700	300	1,5	2	<b>88712227</b>
PKL-KO 100/800/90°	■ Rf	100	800	300	1,5	2	<b>88712228</b>

ITEM	MATERIAL	H (mm)	A (mm)	R (mm)	D (mm)	PACKAGE	PROD. CODE
PKL-KO 100/100/90°	■ FeZn-H	100	100	300	1,5	2	<b>88716891</b>
PKL-KO 100/200/90°	■ FeZn-H	100	200	300	1,5	2	<b>88716892</b>
PKL-KO 100/300/90°	■ FeZn-H	100	300	300	1,5	2	<b>88716893</b>
PKL-KO 100/400/90°	■ FeZn-H	100	400	300	1,5	2	<b>88716894</b>
PKL-KO 100/500/90°	■ FeZn-H	100	500	300	1,5	2	<b>88716895</b>
PKL-KO 100/600/90°	■ FeZn-H	100	600	300	1,5	2	<b>88716896</b>
PKL-KO 100/700/90°	■ FeZn-H	100	700	300	1,5	2	<b>88716897</b>
PKL-KO 100/800/90°	■ FeZn-H	100	800	300	1,5	2	<b>88716898</b>





## >> Cable ladders KL 100

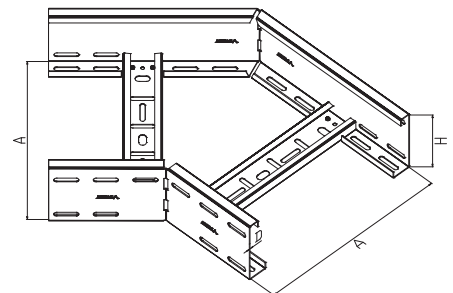
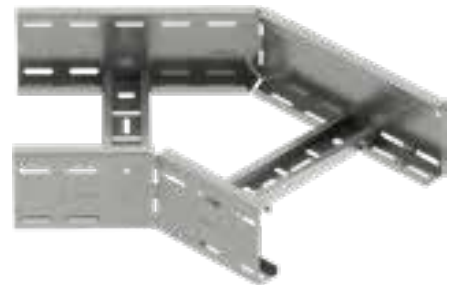
### PKL-KO 100/- Elbow 45°; Class: H

The **PKL-KO 45°** elbow is bolted on the KL cable ladder with the **PKL-FS** fixed connecting element, which is installed on the outer side with **PPKP M6x12 (8x)** connection bolts and **PPKP M6 (8x)** flange nuts. For a **90°** angle, **2 pcs PKL-KO 45°** elbows are used.

ITEM	MATERIAL	H (mm)	A (mm)	D (mm)	PACKAGE	PROD. CODE
PKL-KO 100/100/45°	■ FeZn	100	100	1,5	2	<b>88711731</b>
PKL-KO 100/200/45°	■ FeZn	100	200	1,5	2	<b>88711732</b>
PKL-KO 100/300/45°	■ FeZn	100	300	1,5	2	<b>88711733</b>
PKL-KO 100/400/45°	■ FeZn	100	400	1,5	2	<b>88711734</b>
PKL-KO 100/500/45°	■ FeZn	100	500	1,5	2	<b>88711735</b>
PKL-KO 100/600/45°	■ FeZn	100	600	1,5	2	<b>88711736</b>
PKL-KO 100/700/45°	■ FeZn	100	700	1,5	2	<b>88711737</b>
PKL-KO 100/800/45°	■ FeZn	100	800	1,5	2	<b>88711738</b>

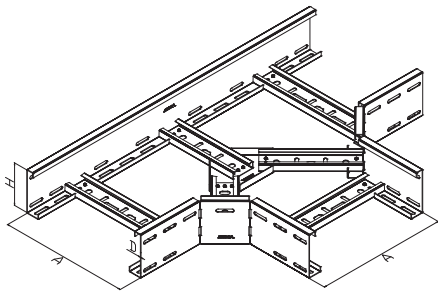
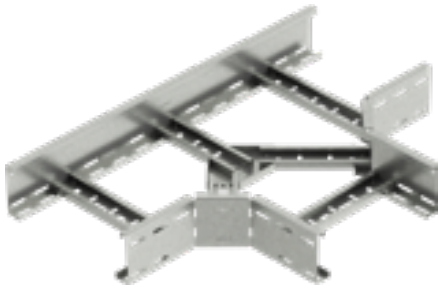
ITEM	MATERIAL	H (mm)	A (mm)	D (mm)	PACKAGE	PROD. CODE
PKL-KO 100/100/45°	■ Rf	100	100	1,5	2	<b>88712231</b>
PKL-KO 100/200/45°	■ Rf	100	200	1,5	2	<b>88712232</b>
PKL-KO 100/300/45°	■ Rf	100	300	1,5	2	<b>88712233</b>
PKL-KO 100/400/45°	■ Rf	100	400	1,5	2	<b>88712234</b>
PKL-KO 100/500/45°	■ Rf	100	500	1,5	2	<b>88712235</b>
PKL-KO 100/600/45°	■ Rf	100	600	1,5	2	<b>88712236</b>
PKL-KO 100/700/45°	■ Rf	100	700	1,5	2	<b>88712237</b>
PKL-KO 100/800/45°	■ Rf	100	800	1,5	2	<b>88712238</b>

ITEM	MATERIAL	H (mm)	A (mm)	D (mm)	PACKAGE	PROD. CODE
PKL-KO 100/100/45°	■ FeZn-H	100	100	1,5	2	<b>88716791</b>
PKL-KO 100/200/45°	■ FeZn-H	100	200	1,5	2	<b>88716792</b>
PKL-KO 100/300/45°	■ FeZn-H	100	300	1,5	2	<b>88716793</b>
PKL-KO 100/400/45°	■ FeZn-H	100	400	1,5	2	<b>88716794</b>
PKL-KO 100/500/45°	■ FeZn-H	100	500	1,5	2	<b>88716795</b>
PKL-KO 100/600/45°	■ FeZn-H	100	600	1,5	2	<b>88716796</b>
PKL-KO 100/700/45°	■ FeZn-H	100	700	1,5	2	<b>88716797</b>
PKL-KO 100/800/45°	■ FeZn-H	100	800	1,5	2	<b>88716798</b>



# >> Cable ladders KL 100

KL  
CABLE LADDERS



### PKL-SO 100/- Side branch; Class: H

The **PKL-SO** elbow is bolted on the **KL** cable ladder with the **PKL-FS** fixed connecting element, which is installed on the outer side with **PPKP M6x12** (8x) connection bolts and **PPKP M6** (8x) flange nuts.

ITEM	MATERIAL	H (mm)	A (mm)	D (mm)	PACKAGE	PROD. CODE
PKL-SO 100/100	■ FeZn	100	100	1,5	2	<b>88711741</b>
PKL-SO 100/200	■ FeZn	100	200	1,5	2	<b>88711742</b>
PKL-SO 100/300	■ FeZn	100	300	1,5	2	<b>88711743</b>
PKL-SO 100/400	■ FeZn	100	400	1,5	2	<b>88711744</b>
PKL-SO 100/500	■ FeZn	100	500	1,5	2	<b>88711745</b>
PKL-SO 100/600	■ FeZn	100	600	1,5	2	<b>88711746</b>
PKL-SO 100/700	■ FeZn	100	700	1,5	2	<b>88711747</b>
PKL-SO 100/800	■ FeZn	100	800	1,5	2	<b>88711748</b>

ITEM	MATERIAL	H (mm)	A (mm)	D (mm)	PACKAGE	PROD. CODE
PKL-SO 100/100	■ Rf	100	100	1,5	2	<b>88712241</b>
PKL-SO 100/200	■ Rf	100	200	1,5	2	<b>88712242</b>
PKL-SO 100/300	■ Rf	100	300	1,5	2	<b>88712243</b>
PKL-SO 100/400	■ Rf	100	400	1,5	2	<b>88712244</b>
PKL-SO 100/500	■ Rf	100	500	1,5	2	<b>88712245</b>
PKL-SO 100/600	■ Rf	100	600	1,5	2	<b>88712246</b>
PKL-SO 100/700	■ Rf	100	700	1,5	2	<b>88712247</b>
PKL-SO 100/800	■ Rf	100	800	1,5	2	<b>88712248</b>

ITEM	MATERIAL	H (mm)	A (mm)	D (mm)	PACKAGE	PROD. CODE
PKL-SO 100/100	■ FeZn-H	100	100	1,5	2	<b>88716841</b>
PKL-SO 100/200	■ FeZn-H	100	200	1,5	2	<b>88716842</b>
PKL-SO 100/300	■ FeZn-H	100	300	1,5	2	<b>88716843</b>
PKL-SO 100/400	■ FeZn-H	100	400	1,5	2	<b>88716844</b>
PKL-SO 100/500	■ FeZn-H	100	500	1,5	2	<b>88716845</b>
PKL-SO 100/600	■ FeZn-H	100	600	1,5	2	<b>88716846</b>
PKL-SO 100/700	■ FeZn-H	100	700	1,5	2	<b>88716847</b>
PKL-SO 100/800	■ FeZn-H	100	800	1,5	2	<b>88716848</b>

\* upon request



## >> Cable ladders KL 100

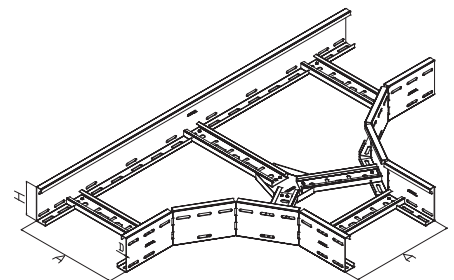
### PKL-SO 100/- Side branch; r=300 mm; Class: H

The **PKL-SO** elbow is bolted on the **KL** cable ladder with the **PKL-FS** fixed connecting element, which is installed on the outer side with **PPKP M6x12** (8x) connection bolts and **PPKP M6** (8x) flange nuts. Side branch radius is **300 mm**.

ITEM	MATERIAL	H (mm)	A (mm)	R (mm)	D (mm)	PACKAGE	PROD. CODE
PKL-SO 100/100	■ FeZn	100	100	300	1,5	2	<b>88711751</b>
PKL-SO 100/200	■ FeZn	100	200	300	1,5	2	<b>88711752</b>
PKL-SO 100/300	■ FeZn	100	300	300	1,5	2	<b>88711753</b>
PKL-SO 100/400	■ FeZn	100	400	300	1,5	2	<b>88711754</b>
PKL-SO 100/500	■ FeZn	100	500	300	1,5	2	<b>88711755</b>
PKL-SO 100/600	■ FeZn	100	600	300	1,5	2	<b>88711756</b>
PKL-SO 100/700	■ FeZn	100	700	300	1,5	2	<b>88711757</b>
PKL-SO 100/800	■ FeZn	100	800	300	1,5	2	<b>88711758</b>

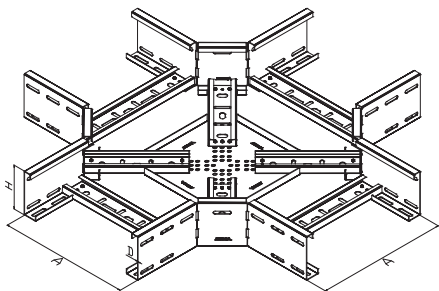
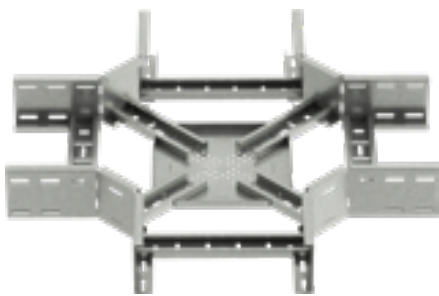
ITEM	MATERIAL	H (mm)	A (mm)	R (mm)	D (mm)	PACKAGE	PROD. CODE
PKL-SO 100/100	■ Rf	100	100	300	1,5	2	<b>88712251</b>
PKL-SO 100/200	■ Rf	100	200	300	1,5	2	<b>88712252</b>
PKL-SO 100/300	■ Rf	100	300	300	1,5	2	<b>88712253</b>
PKL-SO 100/400	■ Rf	100	400	300	1,5	2	<b>88712254</b>
PKL-SO 100/500	■ Rf	100	500	300	1,5	2	<b>88712255</b>
PKL-SO 100/600	■ Rf	100	600	300	1,5	2	<b>88712256</b>
PKL-SO 100/700	■ Rf	100	700	300	1,5	2	<b>88712257</b>
PKL-SO 100/800	■ Rf	100	800	300	1,5	2	<b>88712258</b>

ITEM	MATERIAL	H (mm)	A (mm)	R (mm)	D (mm)	PACKAGE	PROD. CODE
PKL-SO 100/100	■ FeZn-H	100	100	300	1,5	2	<b>88716851</b>
PKL-SO 100/200	■ FeZn-H	100	200	300	1,5	2	<b>88716852</b>
PKL-SO 100/300	■ FeZn-H	100	300	300	1,5	2	<b>88716853</b>
PKL-SO 100/400	■ FeZn-H	100	400	300	1,5	2	<b>88716854</b>
PKL-SO 100/500	■ FeZn-H	100	500	300	1,5	2	<b>88716855</b>
PKL-SO 100/600	■ FeZn-H	100	600	300	1,5	2	<b>88716856</b>
PKL-SO 100/700	■ FeZn-H	100	700	300	1,5	2	<b>88716857</b>
PKL-SO 100/800	■ FeZn-H	100	800	300	1,5	2	<b>88716858</b>



# >> Cable ladders KL 100

KL  
CABLE LADDERS



### PKL-KR 100/- Cross-over; Class: H

The **PKL-KR** cross-over is bolted on the **KL** cable ladder with the **PKL-FS** fixed connecting element, which is installed on the outer side with **PPKP M6x12** (8x) connection bolts and **PPKP M6** (8x) flange nuts..

ITEM	MATERIAL	H (mm)	A (mm)	D (mm)	PACKAGE	PROD. CODE
PKL-KR 100/100	■ FeZn	100	100	1,5	2	<b>88711881</b>
PKL-KR 100/200	■ FeZn	100	200	1,5	2	<b>88711882</b>
PKL-KR 100/300	■ FeZn	100	300	1,5	2	<b>88711883</b>
PKL-KR 100/400	■ FeZn	100	400	1,5	2	<b>88711884</b>
PKL-KR 100/500	■ FeZn	100	500	1,5	2	<b>88711885</b>
PKL-KR 100/600	■ FeZn	100	600	1,5	2	<b>88711886</b>
PKL-KR 100/700	■ FeZn	100	700	1,5	2	<b>88711887</b>
PKL-KR 100/800	■ FeZn	100	800	1,5	2	<b>88711888</b>

ITEM	MATERIAL	H (mm)	A (mm)	D (mm)	PACKAGE	PROD. CODE
PKL-KR 100/100	■ Rf	100	100	1,5	2	<b>88712281</b>
PKL-KR 100/200	■ Rf	100	200	1,5	2	<b>88712282</b>
PKL-KR 100/300	■ Rf	100	300	1,5	2	<b>88712283</b>
PKL-KR 100/400	■ Rf	100	400	1,5	2	<b>88712284</b>
PKL-KR 100/500	■ Rf	100	500	1,5	2	<b>88712285</b>
PKL-KR 100/600	■ Rf	100	600	1,5	2	<b>88712286</b>
PKL-KR 100/700	■ Rf	100	700	1,5	2	<b>88712287</b>
PKL-KR 100/800	■ Rf	100	800	1,5	2	<b>88712288</b>

ITEM	MATERIAL	H (mm)	A (mm)	D (mm)	PACKAGE	PROD. CODE
PKL-KR 100/100	■ FeZn-H	100	100	1,5	2	<b>88716831</b>
PKL-KR 100/200	■ FeZn-H	100	200	1,5	2	<b>88716832</b>
PKL-KR 100/300	■ FeZn-H	100	300	1,5	2	<b>88716833</b>
PKL-KR 100/400	■ FeZn-H	100	400	1,5	2	<b>88716834</b>
PKL-KR 100/500	■ FeZn-H	100	500	1,5	2	<b>88716835</b>
PKL-KR 100/600	■ FeZn-H	100	600	1,5	2	<b>88716836</b>
PKL-KR 100/700	■ FeZn-H	100	700	1,5	2	<b>88716837</b>
PKL-KR 100/800	■ FeZn-H	100	800	1,5	2	<b>88716838</b>

\* upon request



## >> Cable ladders KL 100

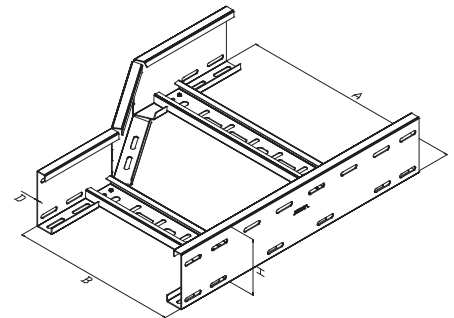
### PKL-RED Reduction element - right; Class: H

The **PKL-RED** right reduction element is bolted on the **KL** cable ladder with the **PKL-FS** fixed connecting element, which is installed on the outer side with **PPKP M6x12** (8x) connection bolts and **PPKP M6** (8x) flange nuts. Delivery of other dimensions, e.g. **PKL-RED 600/200**, is also possible.

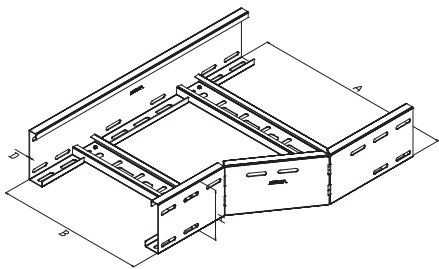
ITEM	MATERIAL	H (mm)	A/B (mm)	D (mm)	PACKAGE	PROD. CODE
PKL-RED 100/200/100	■ FeZn	100	200/100	1,5	2	<b>88711972</b>
PKL-RED 100/300/200	■ FeZn	100	300/200	1,5	2	<b>88711973</b>
PKL-RED 100/400/300	■ FeZn	100	400/300	1,5	2	<b>88711974</b>
PKL-RED 100/500/400	■ FeZn	100	500/400	1,5	2	<b>88711975</b>
PKL-RED 100/600/500	■ FeZn	100	600/500	1,5	2	<b>88711976</b>

ITEM	MATERIAL	H (mm)	A/B (mm)	D (mm)	PACKAGE	PROD. CODE
PKL-RED 100/200/100	■ Rf	100	200/100	1,5	2	<b>88712482</b>
PKL-RED 100/300/200	■ Rf	100	300/200	1,5	2	<b>88712483</b>
PKL-RED 100/400/300	■ Rf	100	400/300	1,5	2	<b>88712484</b>
PKL-RED 100/500/400	■ Rf	100	500/400	1,5	2	<b>88712485</b>
PKL-RED 100/600/500	■ Rf	100	600/500	1,5	2	<b>88712486</b>

ITEM	MATERIAL	H (mm)	A/B (mm)	D (mm)	PACKAGE	PROD. CODE
PKL-RED 100/200/100	■ FeZn-H	100	200/100	1,5	2	<b>88716992</b>
PKL-RED 100/300/200	■ FeZn-H	100	300/200	1,5	2	<b>88716993</b>
PKL-RED 100/400/300	■ FeZn-H	100	400/300	1,5	2	<b>88716994</b>
PKL-RED 100/500/400	■ FeZn-H	100	500/400	1,5	2	<b>88716995</b>
PKL-RED 100/600/500	■ FeZn-H	100	600/500	1,5	2	<b>88716996</b>
PKL-RED 100/700/600	■ FeZn-H	100	700/600	1,5	2	<b>88716997</b>



## >> Cable ladders KL 100



### PKL-REL Reduction element - left; Class: H

The **PKL-REL** left reduction element is bolted on the **KL** cable ladder with the **PKL-FS** fixed connecting element, which is installed on the outer side with **PPKP M6x12** (8x) connection bolts and **PPKP M6** (8x) flange nuts. Delivery of other dimensions, e.g. **PKL-REL 600/200**, is also possible.

ITEM	MATERIAL	H (mm)	A/B (mm)	D (mm)	PACKAGE	PROD. CODE
PKL-REL 100/200/100	■ FeZn	100	200/100	1,5	2	<b>88711982</b>
PKL-REL 100/300/200	■ FeZn	100	300/200	1,5	2	<b>88711983</b>
PKL-REL 100/400/300	■ FeZn	100	400/300	1,5	2	<b>88711984</b>
PKL-REL 100/500/400	■ FeZn	100	500/400	1,5	2	<b>88711985</b>
PKL-REL 100/600/500	■ FeZn	100	600/500	1,5	2	<b>88711986</b>
PKL-REL 100/700/600	■ FeZn	100	700/600	1,5	2	<b>88711987</b>

ITEM	MATERIAL	H (mm)	A/B (mm)	D (mm)	PACKAGE	PROD. CODE
PKL-REL 100/200/100	■ Rf	100	200/100	1,5	2	<b>88712492</b>
PKL-REL 100/300/200	■ Rf	100	300/200	1,5	2	<b>88712493</b>
PKL-REL 100/400/300	■ Rf	100	400/300	1,5	2	<b>88712494</b>
PKL-REL 100/500/400	■ Rf	100	500/400	1,5	2	<b>88712495</b>
PKL-REL 100/600/500	■ Rf	100	600/500	1,5	2	<b>88712496</b>

ITEM	MATERIAL	H (mm)	A/B (mm)	D (mm)	PACKAGE	PROD. CODE
PKL-REL 100/200/100	■ FeZn-H	100	200/100	1,5	2	<b>88717002</b>
PKL-REL 100/300/200	■ FeZn-H	100	300/200	1,5	2	<b>88717003</b>
PKL-REL 100/400/300	■ FeZn-H	100	400/300	1,5	2	<b>88717004</b>
PKL-REL 100/500/400	■ FeZn-H	100	500/400	1,5	2	<b>88717005</b>
PKL-REL 100/600/500	■ FeZn-H	100	600/500	1,5	2	<b>88717006</b>

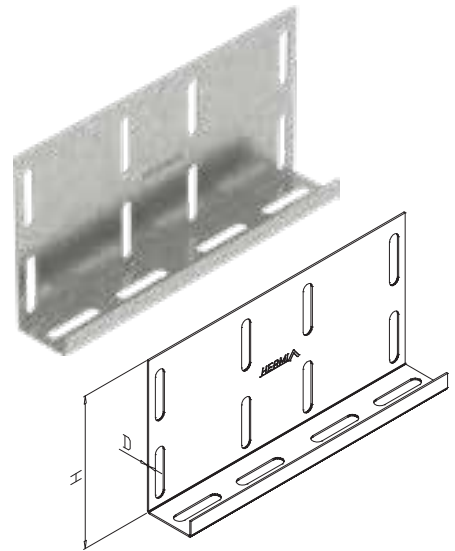


## >> Cable ladders KL 100

### PKL-FS 100 Fixed connection of cable ladders; Class: N

The **PKL-FS** fixed connection is designed to connect **KL** cable ladders between themselves and to the **PKL-RED, PKL-KO, PKL-KR** connecting elements. The **PKL-FS** fixed connection is installed on the outer side with **PPKP M6x12** (8x) connection bolts and **PPKP M6** (8x) flange nuts. To connect two ladders, **2x PKL-FS** are required.

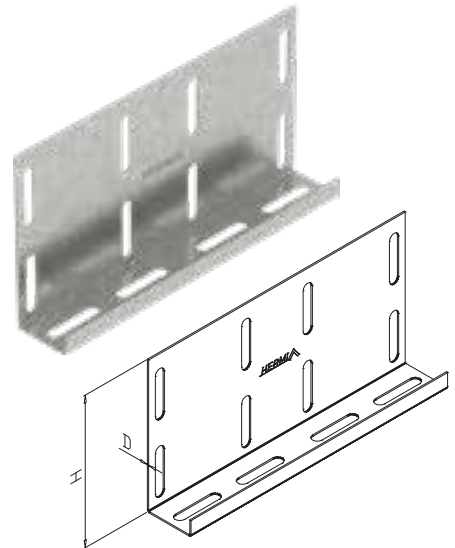
ITEM	MATERIAL	H (mm)	D (mm)	KG/PC.	PACKAGE	PROD. CODE
PKL-FS 100	■ FeZn	100	1,0	0,18	50	<b>88710501</b>
PKL-FS 100	■ Rf	100	1,0	0,18	50	<b>88712275</b>
PKL-FS 100	■ FeZn-H	100	1,0	0,22	50	<b>88716675</b>



### PKL-FS 100 Fixed connection of cable ladders; Class: H

The **PKL-FS** fixed connection is designed to connect **KL** cable ladders between themselves and to the **PKL-RED, PKL-KO, PKL-KR** connecting elements. The **PKL-FS** fixed connection is installed on the outer side with **PPKP M6x12** (8x) connection bolts and **PPKP M6** (8x) flange nuts. To connect two ladders, **2x PKL-FS** are required.

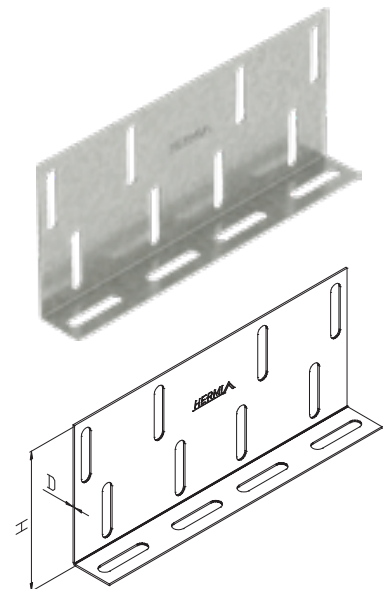
ITEM	MATERIAL	H (mm)	D (mm)	KG/PC.	PACKAGE	PROD. CODE
PKL-FS 100	■ FeZn	100	1,5	0,28	50	<b>88711817</b>
PKL-FS 100	■ Rf	100	1,5	0,28	50	<b>88712317</b>
PKL-FS 100	■ FeZn-H	100	1,5		50	<b>88716717</b>



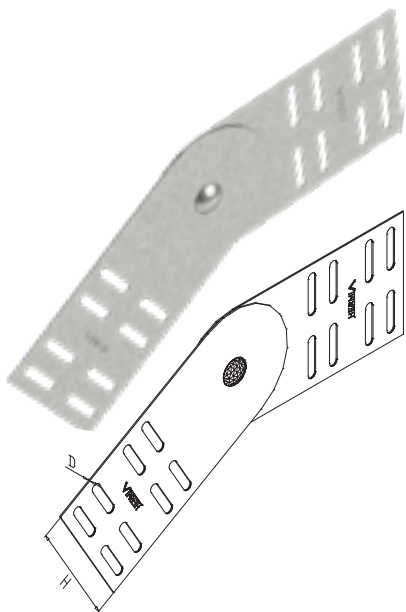
### PKL-FSV 100 Vertical fixed connection of cable ladders; Class: N

The **PKL-FSV** fixed connection is designed to connect **KL** cable ladders between themselves and to the **PKL-RED, PKL-KO, PKL-KR** connecting elements. The **PKL-FSV** fixed connection is installed on the outer side with **PPKP M6x12** (8x) connection bolts and **PPKP M6** (8x) flange nuts. To connect two ladders, **2x PKL-FS** are required.

ITEM	MATERIAL	H (mm)	PACKAGE	PROD. CODE
PKL-FSV 100	■ FeZn	100	50	<b>88711876</b>
PKL-FSV 100	■ Rf	100	50	<b>88712376</b>
PKL-FSV 100	■ FeZn-H	100	50	<b>88716776</b>



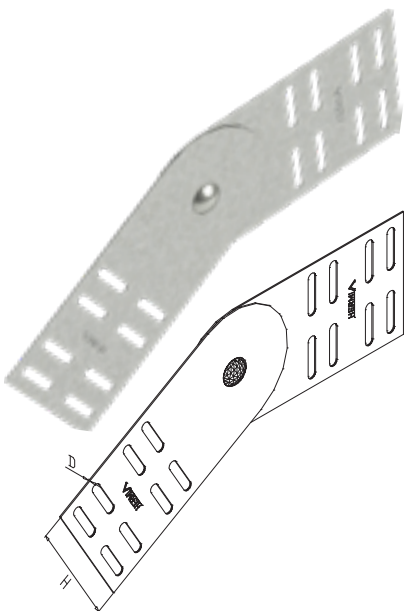
## >> Cable ladders KL 100



### PKL-GS 100 Flexible connection of cable ladders; Class: N

The **PKL-GS** flexible connection is designed to connect **KL** cable ladders between themselves. The **PKL-GS** flexible connection is installed on the inner side with **PPKP M6x12 (8x)** connection bolts and **PPKP M6 (8x)** flange nuts. To connect two ladders, **2x PKL-GS** are required.

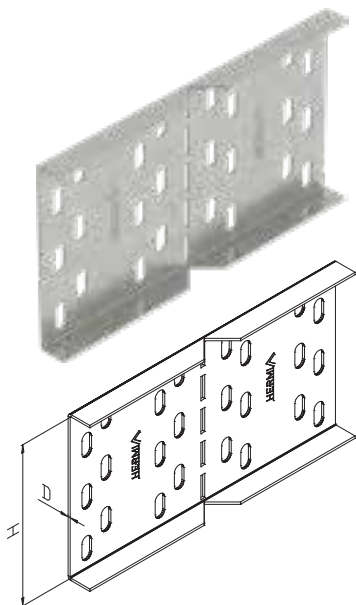
ITEM	MATERIAL	H (mm)	D (mm)	KG/PC.	PACKAGE	PROD. CODE
PKL-GS 100	■ FeZn	100	1,0	0,27	50	<b>88711176</b>
PKL-GS 100	■ Rf	100	1,0	0,27	50	<b>88712276</b>
PKL-GS 100	■ FeZn-H	100	1,0	0,32	50	<b>88716676</b>



### PKL-GS 100 Flexible connection of cable ladders; Class: H

The **PKL-GS** flexible connection is designed to connect **KL** cable ladders between themselves. The **PKL-GS** flexible connection is installed on the inner side with **PPKP M6x12 (8x)** connection bolts and **PPKP M6 (8x)** flange nuts. To connect two ladders, **2x PKL-GS** are required.

ITEM	MATERIAL	H (mm)	D (mm)	PACKAGE	PROD. CODE
PKL-GS 100	■ FeZn	100	1,5	50	<b>88711818</b>
PKL-GS 100	■ Rf	100	1,5	50	<b>88712318</b>
PKL-GS 100	■ FeZn-H	100	1,5	50	<b>88716718</b>



### PKL-GSH 100 Horizontal flexible connection of cable ladders; Class: H

The **PKL-GSH** horizontal flexible connection is designed to connect **KL** cable ladders between themselves. The **PKL-GSH** horizontal flexible connection is installed on the outer side with **PPKP M6x12 (8x)** connection bolts and **PPKP M6 (8x)** flange nuts. To connect two ladders, **2x PKL-GSH** are required.

ITEM	MATERIAL	H (mm)	D (mm)	PACKAGE	PROD. CODE
PKL-GSH 100	■ FeZn	100	1,5	100	<b>88711871</b>
PKL-GSH 100	■ Rf	100	1,5	100	<b>88712371</b>
PKL-GSH 100	■ FeZn-H	100	1,5	100	<b>88716771</b>





## >> Cable ladders KL 100

### PKL-KOB05 Cable clamp

The **PKL-KOB05** cable clamp is designed for the attachment of cables to **HERMI KL** cable ladders or **NKP-PL** perforated profiles. Cables, laid on the top side of the ladder, are fixed on the cross bar of the ladder. Using a M6x50 bolt, which is a part of the clamp, the cable gets fixed onto the ladder. The **PKL-KOB05** cable clamp is suitable for cables with diameters of **10-28, 28-40, 40-52, 52-64** in **64-76** mm.

ITEM	MATERIAL	CABLE DIAMETER (mm)	KG/PC.	PACKAGE	PROD. CODE
PKL-KOB05 10-28	■ FeZn	10-28	0,07	50	<b>88712010</b>
PKL-KOB05 28-40	■ FeZn	28-40	0,09	100	<b>88712011</b>
PKL-KOB05 40-52	■ FeZn	40-52	0,10	100	<b>88712012</b>
PKL-KOB05 52-64	■ FeZn	52-64	0,12	50	<b>88712013</b>
PKL-KOB05 64-76	■ FeZn	64-76	0,13	50	<b>88712014</b>

ITEM	MATERIAL	CABLE DIAMETER (mm)	KG/PC.	PACKAGE	PROD. CODE
PKL-KOB05 10-28	■ Rf	10-28	0,07	50	<b>88712510</b>
PKL-KOB05 28-40	■ Rf	28-40	0,09	100	<b>88712511</b>
PKL-KOB05 40-52	■ Rf	40-52	0,10	100	<b>88712512</b>
PKL-KOB05 52-64	■ Rf	52-64	0,12	50	<b>88712513</b>
PKL-KOB05 64-76	■ Rf	64-76	0,13	50	<b>88712514</b>

ITEM	MATERIAL	CABLE DIAMETER (mm)	KG/PC.	PACKAGE	PROD. CODE
PKL-KOB05 10-28	■ FeZn-H	10-28	0,08	50	<b>88717020</b>
PKL-KOB05 28-40	■ FeZn-H	28-40	0,10	100	<b>88717021</b>
PKL-KOB05 40-52	■ FeZn-H	40-52	0,11	100	<b>88717022</b>
PKL-KOB05 52-64	■ FeZn-H	52-64	0,13	50	<b>88717023</b>
PKL-KOB05 64-76	■ FeZn-H	64-76	0,14	50	<b>88717024</b>

ITEM	MATERIAL	CABLE DIAMETER (mm)	KG/PC.	PACKAGE	PROD. CODE
PKL-KOB05 10-28	■ Rf*H4	10-28	0,07	50	<b>88714710</b>
PKL-KOB05 28-40	■ Rf*H4	28-40	0,09	100	<b>88714711</b>
PKL-KOB05 40-52	■ Rf*H4	40-52	0,10	100	<b>88714712</b>
PKL-KOB05 52-64	■ Rf*H4	52-64	0,12	50	<b>88714713</b>
PKL-KOB05 64-76	■ Rf*H4	64-76	0,13	50	<b>88714714</b>





# KLA

## ALUMINIUM CABLE LADDERS

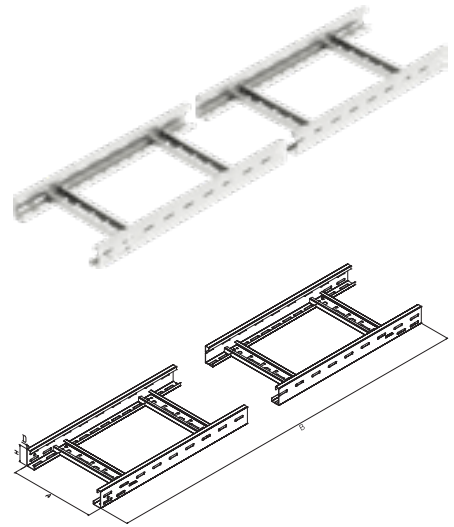
The aluminium cable ladders are intended for the construction of cable paths in surface cable laying. Because of their resistance to corrosion, they are suitable for external and internal mounting, particularly in environments with demanding conditions and for heavy-duty loads.



### KLA 60/- Cable ladders; L= 3000 mm; H= 60 mm; Class: N

The KLA cable ladders of **60 mm** in height and of different widths are made of aluminium. The length of an individual cable ladder is **3,0 m**. Cable ladders are mounted to the wall, ceiling or floor with the appropriate NKP brackets. For joining two cable ladders, **2 pcs PKLA-FS** are required.

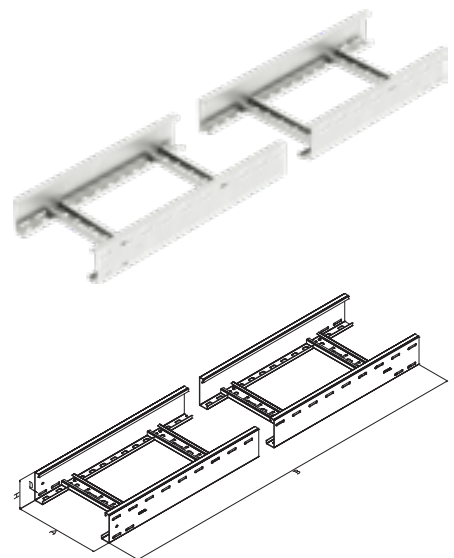
ITEM	MATERIAL	H (mm)	A (mm)	B (mm)	D (mm)	KG/PC.	PACKAGE	PROD. CODE
KLA 60/100	Al	60	100	3000	2,0	4,00	2	<b>88301111</b>
KLA 60/200	Al	60	200	3000	2,0	4,40	2	<b>88301112</b>
KLA 60/300	Al	60	300	3000	2,0	4,90	2	<b>88301113</b>
KLA 60/400	Al	60	400	3000	2,0	5,30	2	<b>88301114</b>
KLA 60/500	Al	60	500	3000	2,0	5,70	2	<b>88301115</b>
KLA 60/600	Al	60	600	3000	2,0	6,10	2	<b>88301116</b>

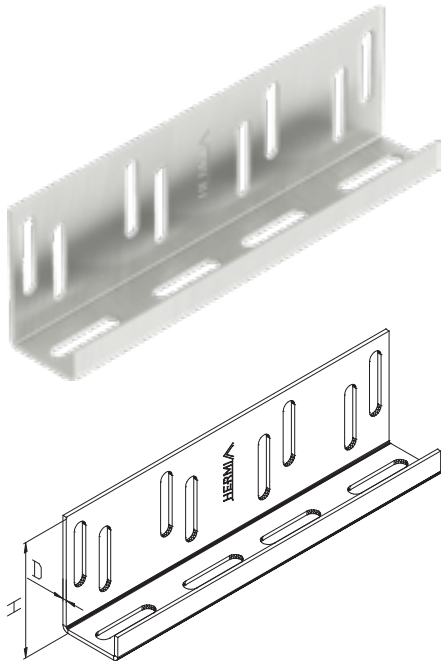


### KLA 100/- Cable ladders; L= 3000 mm; H= 100 mm; Class: N

The **KLA** cable ladders of **100 mm** in height and of different widths are made of aluminium. The length of an individual cable ladder is **3,0 m**. Cable ladders are mounted to the wall, ceiling or floor with the appropriate **NKP** brackets. For joining two cable ladders, **2 pcs PKLA-FS** are required.

ITEM	MATERIAL	H (mm)	A (mm)	B (mm)	D (mm)	KG/PC.	PACKAGE	PROD. CODE
KLA 100/100	Al	100	100	3000	2,0	5,10	2	<b>88301101</b>
KLA 100/200	Al	100	200	3000	2,0	5,60	2	<b>88301102</b>
KLA 100/300	Al	100	300	3000	2,0	6,00	2	<b>88301103</b>
KLA 100/400	Al	100	400	3000	2,0	6,40	2	<b>88301104</b>
KLA 100/500	Al	100	500	3000	2,0	6,80	2	<b>88301105</b>
KLA 100/600	Al	100	600	3000	2,0	7,20	2	<b>88301106</b>



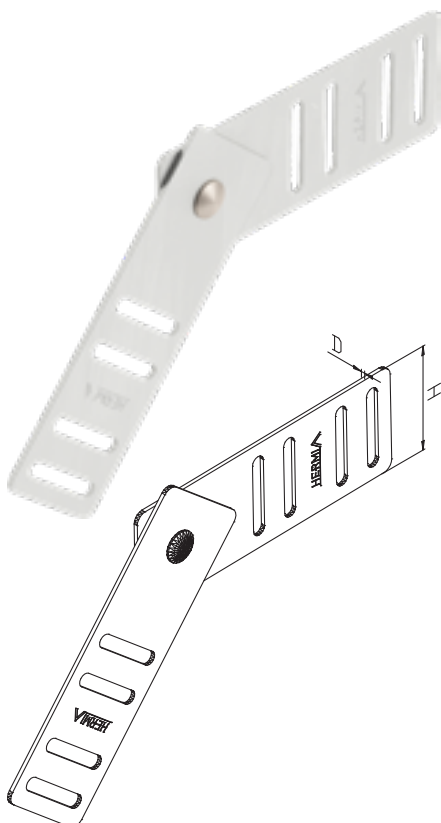


### PKLA-FS Fixed connection of cable ladders

The fixed **PKLA-FS** joint is designed for joining **KLA** cable ladders. The fixed **PKLA-FS** joint is mounted on the outside of the cable ladder with the **PPKP M6x12** (8x) connection bolts and the **PPKP M6** (8x) flange nuts. For joining two cable ladders, **2 pcs PKLA-FS** are required.

ITEM	MATERIAL	H (mm)	D (mm)	KG/PC.	PACKAGE	PROD. CODE
PKLA-FS 60	Al	60	2,0	0,10	75	<b>88303101</b>
PKLA-FS 100	Al	100	2,0	0,13	50	<b>88303100</b>

KLA - ALUMINIUM  
CABLE LADDERS



### PKLA-GS Flexible connection of cable ladders

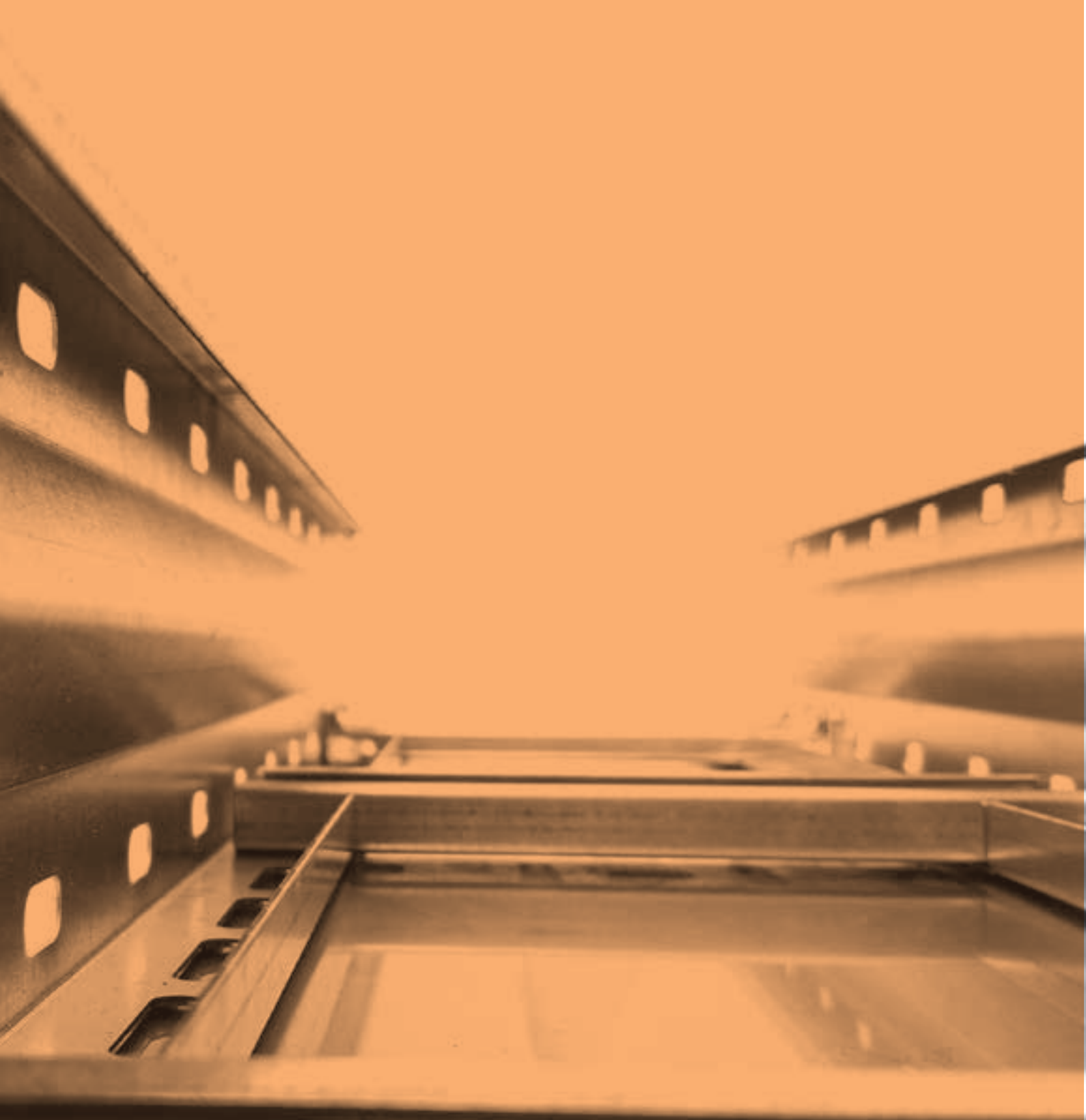
The flexible **PKLA-GS** joint is designed for joining **KLA** cable ladders. The flexible **PKLA-GS** joint is mounted on the inner side of the cable ladder with the **PPKP M6x12** (8x) connection bolts and the **PPKP M6** (8x) flange nuts. For joining two cable ladders, **2 pcs PKLA-GS** are required.

ITEM	MATERIAL	H (mm)	D (mm)	KG/PC.	PACKAGE	PROD. CODE
PKLA-GS 60	Al	60	2,0	0,09	50	<b>88303111</b>
PKLA-GS 100	Al	100	2,0	0,19	50	<b>88303110</b>

\* upon request



KLA - ALUMINIUM  
CABLE LADDERS



# KL HD

## "HEAVY-DUTY" CABLE LADDERS

Cable ladders are intended for the construction of cable paths in surface cable laying. Their construction allows extreme loads, as well as large spacing between supports.



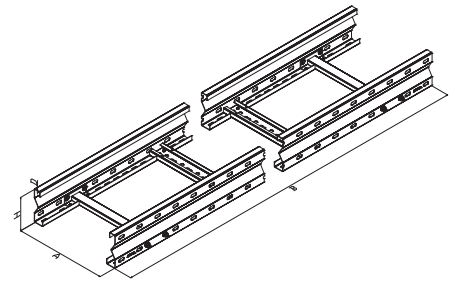
### KL HD 100/- HD Cable ladders; L= 6000 mm; H= 100 mm; Class: H

The **KL HD** cable ladders of **100 mm** in height and various widths are made of stainless steel or galvanised sheet metal. The length of an individual cable ladder is **6,0 m**. Cable ladders are mounted to the wall, ceiling or floor with the appropriate NKP brackets. For joining two cable ladders, **2 pcs PKL-FS HD** are required.

ITEM	MATERIAL	H (mm)	A (mm)	B (mm)	D (mm)	KG/PC.	PACKAGE	PROD. CODE
KL HD 100/200	■ FeZn	100	200	6000	1,5	28,00	2	<b>88727012</b>
KL HD 100/300	■ FeZn	100	300	6000	1,5	30,00	2	<b>88727013</b>
KL HD 100/400	■ FeZn	100	400	6000	1,5	32,00	2	<b>88727014</b>
KL HD 100/500	■ FeZn	100	500	6000	1,5	34,00	2	<b>88727015</b>
KL HD 100/600	■ FeZn	100	600	6000	1,5	36,00	2	<b>88727016</b>

ITEM	MATERIAL	H (mm)	A (mm)	B (mm)	D (mm)	KG/PC.	PACKAGE	PROD. CODE
KL HD 100/200	■ Rf	100	200	6000	1,5	28,00	2	<b>88728012</b>
KL HD 100/300	■ Rf	100	300	6000	1,5	30,00	2	<b>88728013</b>
KL HD 100/400	■ Rf	100	400	6000	1,5	32,00	2	<b>88728014</b>
KL HD 100/500	■ Rf	100	500	6000	1,5	34,00	2	<b>88728015</b>
KL HD 100/600	■ Rf	100	600	6000	1,5	36,00	2	<b>88728016</b>

ITEM	MATERIAL	H (mm)	A (mm)	B (mm)	D (mm)	KG/PC.	PACKAGE	PROD. CODE
KL HD 100/200	■ FeZn-H	100	200	6000	1,5	30,80	2	<b>88731012</b>
KL HD 100/300	■ FeZn-H	100	300	6000	1,5	33,00	2	<b>88731013</b>
KL HD 100/400	■ FeZn-H	100	400	6000	1,5	35,20	2	<b>88731014</b>
KL HD 100/500	■ FeZn-H	100	500	6000	1,5	37,40	2	<b>88731015</b>
KL HD 100/600	■ FeZn-H	100	600	6000	1,5	39,60	2	<b>88731016</b>



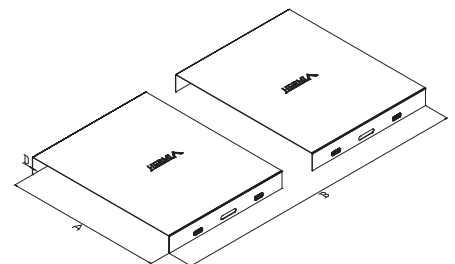
### KP-P HD Cable tray cover; L= 3000 m; Class: H

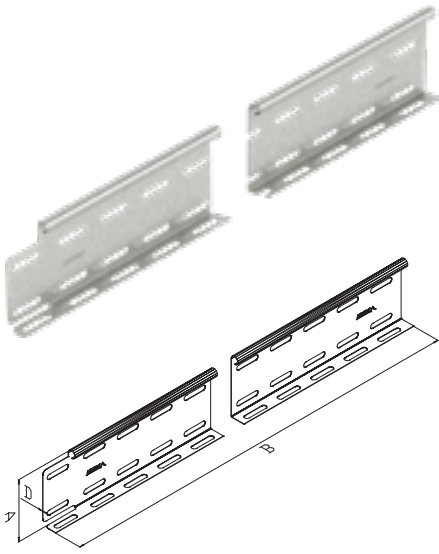
The cable tray cover is designed to protect cables in the cable ladder against dirt and external influences. The cable tray cover is attached to the cable tray with the click system.

ITEM	MATERIAL	A (mm)	B (mm)	D (mm)	PACKAGE	PROD. CODE
KP-P HD 200	■ FeZn	200	3000	1,00	2	<b>88720202</b>
KP-P HD 300	■ FeZn	300	3000	1,00	2	<b>88720203</b>
KP-P HD 400	■ FeZn	400	3000	1,00	2	<b>88720204</b>
KP-P HD 500	■ FeZn	500	3000	1,00	2	<b>88720205</b>
KP-P HD 600	■ FeZn	600	3000	1,00	2	<b>88720206</b>

ITEM	MATERIAL	A (mm)	B (mm)	D (mm)	PACKAGE	PROD. CODE
KP-P HD 200	■ Rf	200	3000	1,00	2	<b>88722202</b>
KP-P HD 300	■ Rf	300	3000	1,00	2	<b>88722203</b>
KP-P HD 400	■ Rf	400	3000	1,00	2	<b>88722204</b>
KP-P HD 500	■ Rf	500	3000	1,00	2	<b>88722205</b>
KP-P HD 600	■ Rf	600	3000	1,00	2	<b>88722206</b>

ITEM	MATERIAL	A (mm)	B (mm)	D (mm)	PACKAGE	PROD. CODE
KP-P HD 200	■ FeZn-H	200	3000	1,00	2	<b>88726202</b>
KP-P HD 300	■ FeZn-H	300	3000	1,00	2	<b>88726203</b>
KP-P HD 400	■ FeZn-H	400	3000	1,00	2	<b>88726204</b>
KP-P HD 500	■ FeZn-H	500	3000	1,00	2	<b>88726205</b>
KP-P HD 600	■ FeZn-H	600	3000	1,00	2	<b>88726206</b>

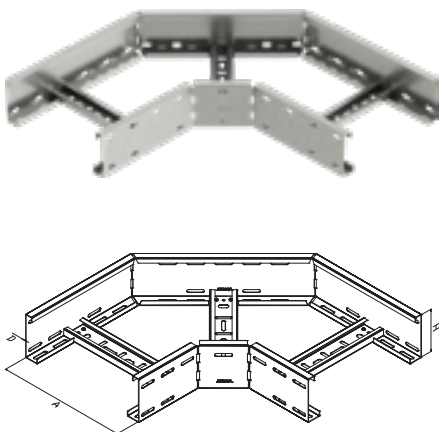




### KL-PR HD 100 Cable ladder divider

The **KL-PR HD** cable ladder divider is designed for separating conductors installed in cable ladders and preventing electromagnetic interference. The cable ladder divider is installed to a cable ladder with **PPKP-M6x12** (3x) connection bolts and **PPKP-M6** (3x) flange nuts.

ITEM	MATERIAL	A (mm)	B (mm)	D (mm)	Kg/pc.	PACKAGE	PROD. CODE
KL-PR HD 100	■ FeZn	100	3000	0,8	2,36	10	<b>88710164</b>
KL-PR HD 100	■ Rf	100	3000	0,8	2,36	10	<b>88710264</b>
KL-PR HD 100	■ FeZn-H	100	3000	0,8	2,60	10	<b>88710664</b>



### PKL-KO HD 100/- Elbow 90°; Class: H

The **PKL-KO 90°** elbow is bolted on the KL cable ladder with the **PKL-FS** fixed connecting element, which is installed on the outer side with **PPKP M8x16** (12x) connection bolts and **PPKP M8** (12x) flange nuts.

ITEM	MATERIAL	D (mm)	H (mm)	A (mm)	Kg/pc.	PACKAGE	PROD. CODE
PKL-KO HD 100/200/90°	■ FeZn	1,5	100	200	3,53	2	<b>88712002</b>
PKL-KO HD 100/300/90°	■ FeZn	1,5	100	300	4,60	2	<b>88712003</b>
PKL-KO HD 100/400/90°	■ FeZn	1,5	100	400	5,98	2	<b>88712004</b>
PKL-KO HD 100/500/90°	■ FeZn	1,5	100	500	7,74	2	<b>88712005</b>
PKL-KO HD 100/600/90°	■ FeZn	1,5	100	600	10,06	2	<b>88712006</b>

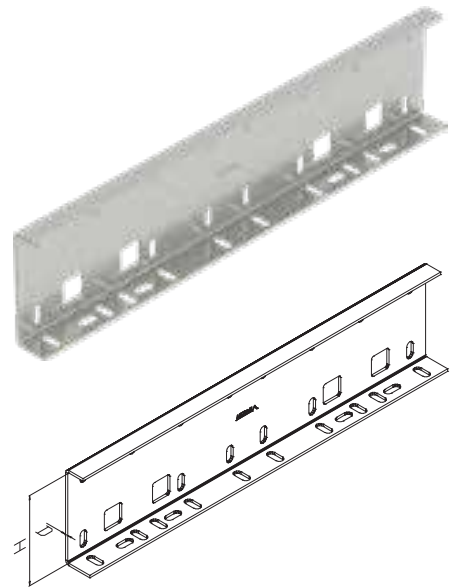




### PKL-FS HD 100 Fixed connection of cable ladders; Class: H

The **PKL-FS HD** fixed connection is designed to connect **KL** cable ladders between themselves and to the **PKL-RED, PKL-KO, PKL-KR** connecting elements. The **PKL-FS** fixed connection is installed on the outer side with **PPKP M8x16** (12x) connection bolts and **PPKP M8** (12x) flange nuts. To connect two ladders, **2x PKL-FS HD** are required.

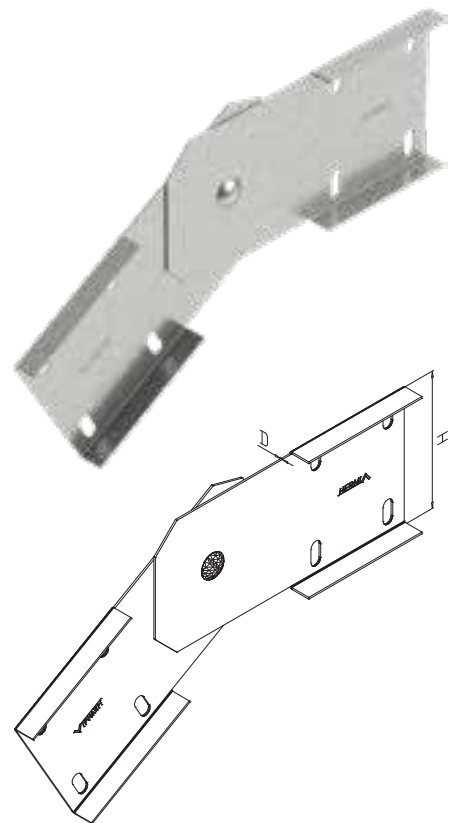
ITEM	MATERIAL	H (mm)	D (mm)	KG/PC.	PACKAGE	PROD. CODE
PKL-FS HD 100	■ FeZn	100	3,0	1,70	25	<b>88711816</b>
PKL-FS HD 100	■ Rf	100	3,0	1,70	25	<b>88712316</b>
PKL-FS HD 100	■ FeZn-H	100	3,0	1,87	25	<b>88716716</b>

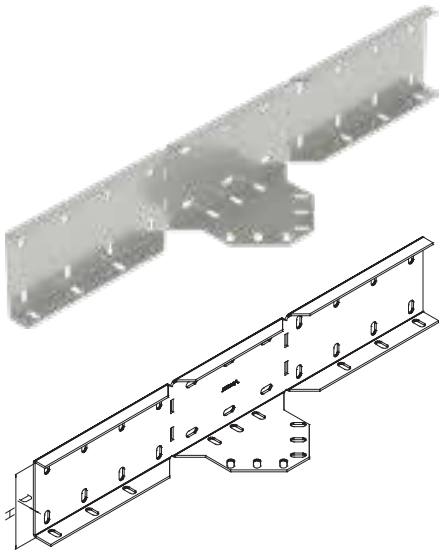


### PKL-GS HD 100 Flexible connection of cable ladders; Class: H

The **PKL-GS HD** flexible connection is designed to connect **KL** cable ladders between themselves. The **PKL-GS HD** flexible connection is installed on the outer side with **PPKP M8x16** (8x) connection bolts and **PPKP M8** (8x) flange nuts. To connect two ladders, **2x PKL-GS HD** are required.

ITEM	MATERIAL	D (mm)	H (mm)	Kg/pc.	PACKAGE	PROD. CODE
PKL-GS HD 100	■ FeZn	3,0	100	1,30	50	<b>88711872</b>
PKL-GS HD 100	■ Rf	3,0	100	1,30	50	<b>88712372</b>
PKL-GS HD 100	■ FeZn-H	3,0	100	1,43	50	<b>88716772</b>





### PKL-GSH HD 100 Flexible connection of cable ladders; Class: H

The horizontal flexible **PKL-GSH HD** joint is designed for joining **KL** cable ladders and is mounted on the outside of the cable ladder with **PPKP M8x16** (12x) connection bolts and **PPKP M8** (12x) flange nuts. For joining two cable ladders, **2 pcs PKL-GSH HD** are required.

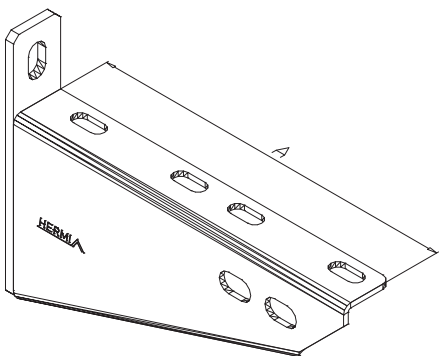
ITEM	MATERIAL	D (mm)	H (mm)	Kg/pc.	PACKAGE	PROD. CODE
PKL-GSH HD 100	■ FeZn	3,0	100	2,70	2	<b>88711874</b>
PKL-GSH HD 100	■ Rf	3,0	100	2,70	2	<b>88712374</b>
PKL-GSH HD 100	■ FeZn-H	3,0	100	2,97	2	<b>88716774</b>

### NKP-SNV HD Welded wall bracket

The **NKP-SNV HD** wall bracket is designed for mounting cable trays and cable ladders to the wall for heavy-duty loads. The use of fasteners for wall mounting depends on the type of wall material (concrete, brick, etc.). The recommended spacing between the brackets is determined on the basis of the load diagram.



ITEM	MATERIAL	A (mm)	F <sub>max</sub> (kN)	KG/PC.	PACKAGE	PROD. CODE
NKP-SNV HD 210	■ FeZn	210	7,20	0,66	25	<b>88707162</b>
NKP-SNV HD 310	■ FeZn	310	6,90	0,80	20	<b>88707163</b>
NKP-SNV HD 410	■ FeZn	410	6,60	1,05	20	<b>88707164</b>
NKP-SNV HD 510	■ FeZn	510	6,45	1,38	20	<b>88707165</b>
NKP-SNV HD 610	■ FeZn	610	5,45	1,64	20	<b>88707166</b>
NKP-SNV HD 710	■ FeZn	710	4,60	1,91	10	<b>88707167</b>
NKP-SNV HD 810	■ FeZn	810	3,70	2,67	2	<b>88707168</b>
NKP-SNV HD 910	■ FeZn	910	2,85	2,99	2	<b>88707169</b>
NKP-SNV HD 1010	■ FeZn	1010	2,00	3,50	2	<b>88707161</b>



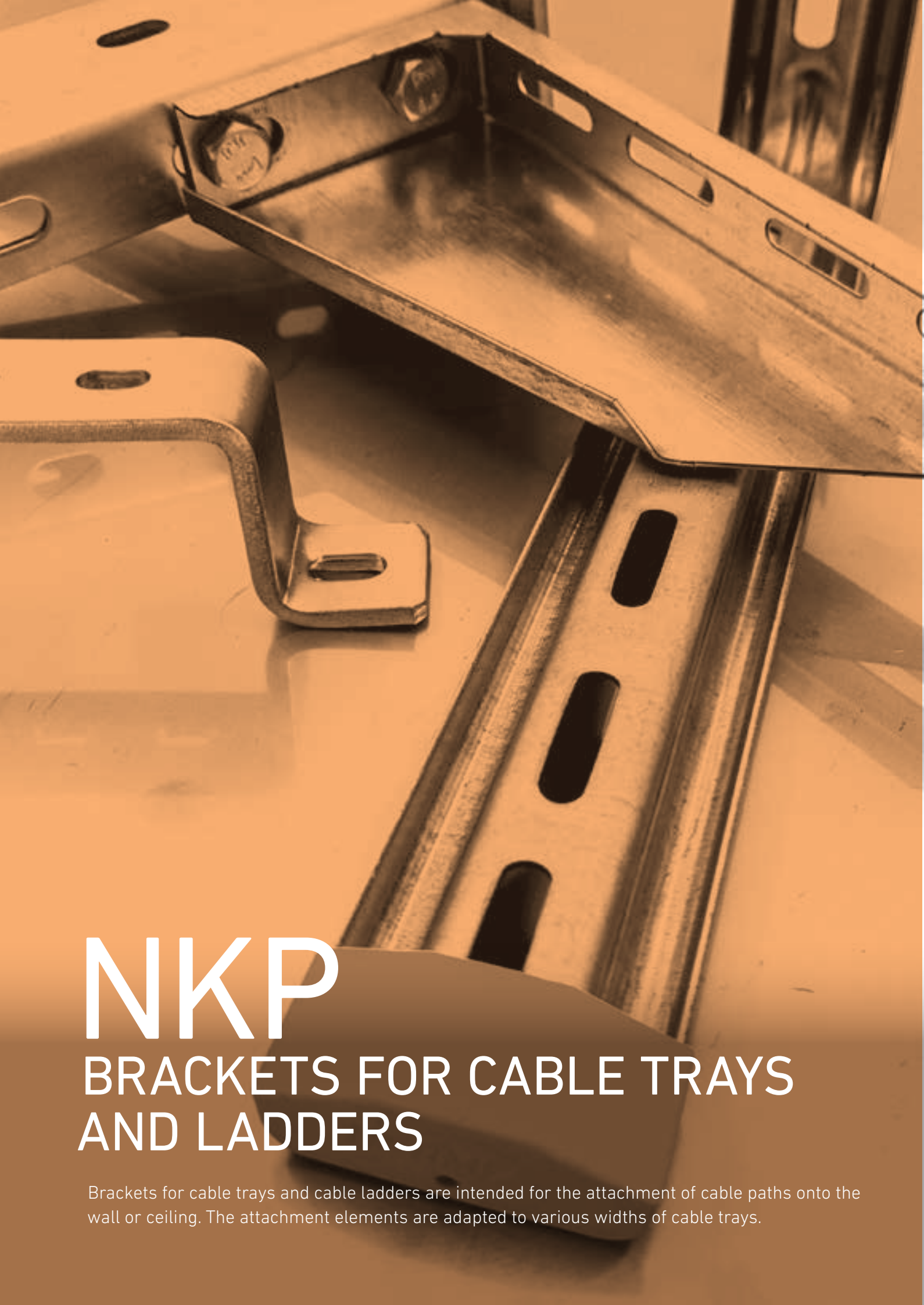
ITEM	MATERIAL	A (mm)	F <sub>max</sub> (kN)	KG/PC.	PACKAGE	PROD. CODE
NKP-SNV HD 210	■ Rf	210	7,20	0,66	25	<b>88708262</b>
NKP-SNV HD 310	■ Rf	310	6,90	0,80	20	<b>88708263</b>
NKP-SNV HD 410	■ Rf	410	6,60	1,05	20	<b>88708264</b>
NKP-SNV HD 510	■ Rf	510	6,45	1,38	20	<b>88708265</b>
NKP-SNV HD 610	■ Rf	610	5,45	1,64	20	<b>88708266</b>
NKP-SNV HD 710	■ Rf	710	4,60	1,91	10	<b>88708267</b>
NKP-SNV HD 810	■ Rf	810	3,70	2,67	2	<b>88708268</b>
NKP-SNV HD 910	■ Rf	910	2,85	2,99	2	<b>88708269</b>
NKP-SNV HD 1010	■ Rf	1010	2,00	3,50	2	<b>88708261</b>

ITEM	MATERIAL	A (mm)	F <sub>max</sub> (kN)	KG/PC.	PACKAGE	PROD. CODE
NKP-SNV HD 210	■ FeZn-H	210	7,20	0,70	25	<b>88718862</b>
NKP-SNV HD 310	■ FeZn-H	310	6,90	0,85	20	<b>88718863</b>
NKP-SNV HD 410	■ FeZn-H	410	6,60	1,11	20	<b>88718864</b>
NKP-SNV HD 510	■ FeZn-H	510	6,45	1,45	20	<b>88718865</b>
NKP-SNV HD 610	■ FeZn-H	610	5,45	1,72	20	<b>88718866</b>
NKP-SNV HD 710	■ FeZn-H	710	4,60	2,10	10	<b>88718867</b>
NKP-SNV HD 810	■ FeZn-H	810	3,70	2,70	2	<b>88718868</b>
NKP-SNV HD 910	■ FeZn-H	910	2,85	3,20	2	<b>88718869</b>
NKP-SNV HD 1010	■ FeZn-H	1010	2,00	3,70	2	<b>88718861</b>

KL HD – CABLE LADDERS "HEAVY DUTY"



KL HD – CABLE  
LADDERS "HEAVY DUTY"



# NKP

## BRACKETS FOR CABLE TRAYS AND LADDERS

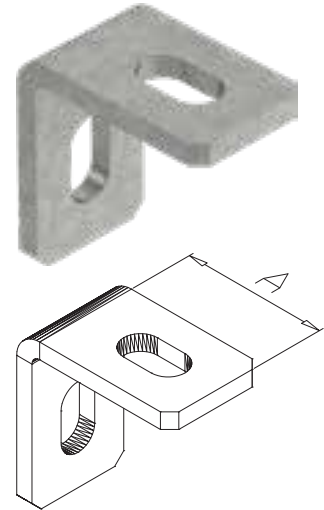
Brackets for cable trays and cable ladders are intended for the attachment of cable paths onto the wall or ceiling. The attachment elements are adapted to various widths of cable trays.



### NKP-SNL 45x45 Addition to the wall bracket

Additional angular connecting element. Used for cross-linking HERMI profiles.

ITEM	MATERIAL	A (mm)	F <sub>max</sub> (kN)	KG/PC.	PACKAGE	PROD. CODE
NKP-SNL 45x45	■ FeZn	45	2,0	0,10	100	<b>88707205</b>
NKP-SNL 45x45	■ Rf	45	2,0	0,10	100	<b>88708305</b>
NKP-SNL 45x45	■ FeZn-H	45	2,0	0,11	100	<b>88704659</b>



### NKP-SNL Wall bracket

The **NKP-SNL** wall bracket is designed for mounting cable trays and cable ladders to the wall. The use of fasteners for wall mounting depends on the type of wall material (concrete, brick, etc.). The recommended spacing between brackets is defined based on the load diagram.

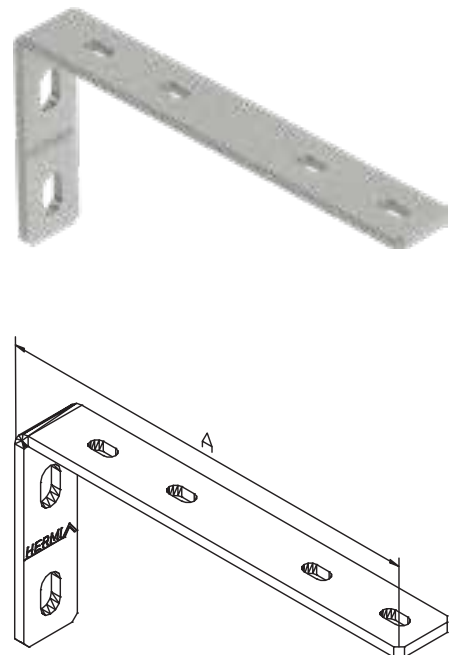
ITEM	MATERIAL	A (mm)	F <sub>max</sub> (kN)	KG/PC.	PACKAGE	PROD. CODE
NKP-SNL 60	■ FeZn	60	1,90	0,17	50	<b>88704100</b>
NKP-SNL 110	■ FeZn	110	1,10	0,22	100	<b>88704101</b>
NKP-SNL 210	■ FeZn	210	0,40	0,35	80	<b>88704102</b>
NKP-SNL 310	■ FeZn	310	0,30	0,47		<b>88704103</b>

ITEM	MATERIAL	A (mm)	F <sub>max</sub> (kN)	KG/PC.	PACKAGE	PROD. CODE
NKP-SNL 60	■ Rf	60	1,90	0,12	50	<b>88704200</b>
NKP-SNL 110	■ Rf	110	1,10	0,16	100	<b>88704201</b>
NKP-SNL 210	■ Rf	210	0,40	0,26	80	<b>88704202</b>

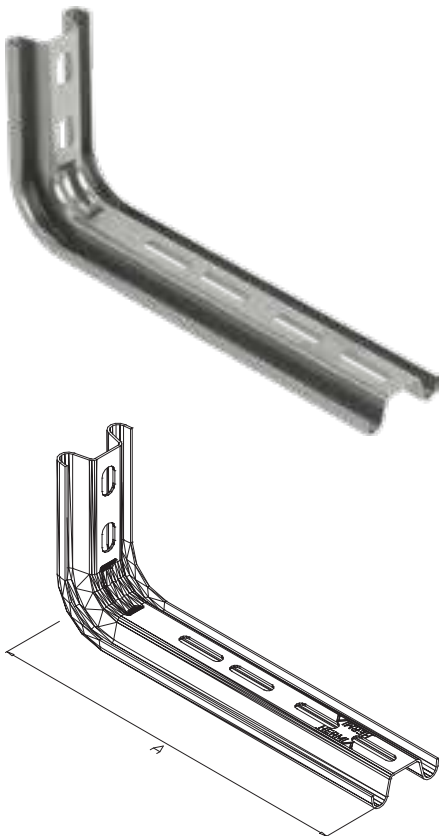
ITEM	MATERIAL	A (mm)	F <sub>max</sub> (kN)	KG/PC.	PACKAGE	PROD. CODE
NKP-SNL 60	■ FeZn-H	60	1,90	0,19	50	<b>88704600</b>
NKP-SNL 110	■ FeZn-H	110	1,10	0,21	100	<b>88704601</b>
NKP-SNL 210	■ FeZn-H	210	0,40	0,36	80	<b>88704602</b>
NKP-SNL 310	■ FeZn-H	310	0,30	0,52		<b>88704603</b>

ITEM	MATERIAL	A (mm)	F <sub>max</sub> (kN)	KG/PC.	PACKAGE	PROD. CODE
NKP-SNL 60	■ Rf*H4	60	1,90	0,12	50	<b>88704400*</b>
NKP-SNL 110	■ Rf*H4	110	1,10	0,16	100	<b>88704401*</b>
NKP-SNL 210	■ Rf*H4	210	0,40	0,26	80	<b>88704402*</b>

ITEM	MATERIAL	A (mm)	F <sub>max</sub> (kN)	KG/PC.	PACKAGE	PROD. CODE
NKP-SNL 60	■ FeZn-PVC	60	1,90	0,19	50	<b>88704300*</b>
NKP-SNL 110	■ FeZn-PVC	110	1,10	0,21	100	<b>88704301*</b>
NKP-SNL 210	■ FeZn-PVC	210	0,40	0,36	80	<b>88704302*</b>



\* upon request



### NKP-SNL/OMEGA Wall bracket

The **NKP-SNL/OMEGA** wall bracket is designed for mounting cable trays and cable ladders to the wall. The use of fasteners for wall mounting depends on the type of wall material (concrete, brick, etc.). The bracket is also suitable for the mounting on the **NKP-VNV** or **NKP-VNU** hanging bracket. The recommended spacing between the brackets is determined on the basis of the load diagram.

ITEM	MATERIAL	A (mm)	F <sub>max</sub> (kN)	KG/PC.	PACKAGE	PROD. CODE
NKP-SNL/OMEGA 110	■ FeZn	160	1,20	0,25	50	<b>88707171</b>
NKP-SNL/OMEGA 210	■ FeZn	260	0,90	0,36	50	<b>88707172</b>
NKP-SNL/OMEGA 310	■ FeZn	360	0,60	0,45	35	<b>88707173</b>
NKP-SNL/OMEGA 410	■ FeZn	460	0,45	0,57	30	<b>88707174</b>
NKP-SNL/OMEGA 510	■ FeZn	560	0,30	0,66	15	<b>88707175</b>
NKP-SNL/OMEGA 610	■ FeZn	660	0,25	0,80	15	<b>88707176</b>

ITEM	MATERIAL	A (mm)	F <sub>max</sub> (kN)	KG/PC.	PACKAGE	PROD. CODE
NKP-SNL/OMEGA 110	■ Rf	160	1,20	0,25	50	<b>88708271</b>
NKP-SNL/OMEGA 210	■ Rf	260	0,90	0,36	50	<b>88708272</b>
NKP-SNL/OMEGA 310	■ Rf	360	0,60	0,45	35	<b>88708273</b>
NKP-SNL/OMEGA 410	■ Rf	460	0,45	0,57	30	<b>88708274</b>
NKP-SNL/OMEGA 510	■ Rf	560	0,30	0,66	15	<b>88708275</b>
NKP-SNL/OMEGA 610	■ Rf	660	0,25	0,80	15	<b>88708276</b>

ITEM	MATERIAL	A (mm)	F <sub>max</sub> (kN)	KG/PC.	PACKAGE	PROD. CODE
NKP-SNL/OMEGA 110	■ FeZn-H	160	1,20	0,29	50	<b>88718871</b>
NKP-SNL/OMEGA 210	■ FeZn-H	260	0,90	0,40	50	<b>88718872</b>
NKP-SNL/OMEGA 310	■ FeZn-H	360	0,60	0,50	35	<b>88718873</b>
NKP-SNL/OMEGA 410	■ FeZn-H	460	0,45	0,63	30	<b>88718874</b>
NKP-SNL/OMEGA 510	■ FeZn-H	560	0,30	0,73	15	<b>88718875</b>
NKP-SNL/OMEGA 610	■ FeZn-H	660	0,25	0,88	15	<b>88718876</b>

ITEM	MATERIAL	A (mm)	F <sub>max</sub> (kN)	KG/PC.	PACKAGE	PROD. CODE
NKP-SNL/OMEGA 110	■ Rf*H4	160	1,20	0,25	50	*
NKP-SNL/OMEGA 210	■ Rf*H4	260	0,90	0,36	50	*
NKP-SNL/OMEGA 310	■ Rf*H4	360	0,60	0,45	35	*
NKP-SNL/OMEGA 410	■ Rf*H4	460	0,45	0,57	30	*
NKP-SNL/OMEGA 510	■ Rf*H4	560	0,30	0,66	15	*
NKP-SNL/OMEGA 610	■ Rf*H4	660	0,25	0,80	15	*

ITEM	MATERIAL	A (mm)	F <sub>max</sub> (kN)	KG/PC.	PACKAGE	PROD. CODE
NKP-SNL/OMEGA 110	■ FeZn-PVC	160	1,20	0,29	50	<b>88733001*</b>
NKP-SNL/OMEGA 210	■ FeZn-PVC	260	0,90	0,40	50	<b>88733002*</b>
NKP-SNL/OMEGA 310	■ FeZn-PVC	360	0,60	0,50	35	<b>88733003*</b>
NKP-SNL/OMEGA 410	■ FeZn-PVC	460	0,45	0,63	30	<b>88733004*</b>
NKP-SNL/OMEGA 510	■ FeZn-PVC	560	0,30	0,73	15	<b>88733005*</b>
NKP-SNL/OMEGA 610	■ FeZn-PVC	660	0,25	0,88	15	<b>88733006*</b>

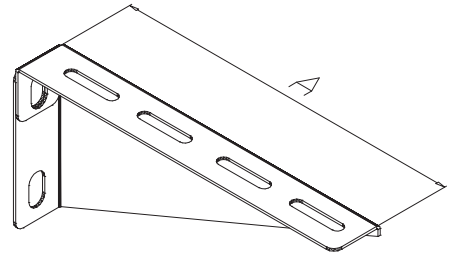
\* upon request



### NKP-SNTL Wall bracket

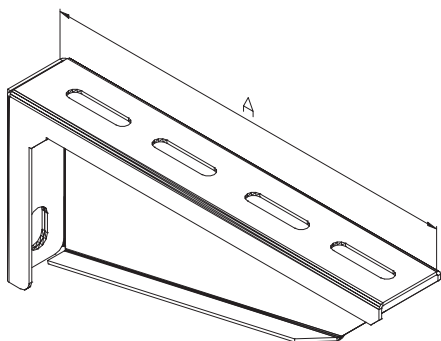
The **NKP-SNTL** wall bracket is designed for mounting cable trays and cable ladders to the wall. The use of fasteners for wall mounting depends on the type of wall material (concrete, brick, etc.). The bracket is also suitable for the mounting on the **NKP-VNV** or **NKP-VNU** hanging bracket. The bracket is appropriate for the installation together with the **PKP-VE 02** connecting element on the **NKP-UL** load-bearing profile. The recommended spacing between brackets is defined based on the load diagram.

ITEM	MATERIAL	A (mm)	F <sub>max</sub> (kN)	KG/PC.	PACKAGE	PROD. CODE
NKP-SNTL 60	■ FeZn	60	0,70	0,10	100	<b>88705510</b>
NKP-SNTL 110	■ FeZn	110	0,50	0,13	100	<b>88705511</b>
NKP-SNTL 210	■ FeZn	210	1,30	0,27	40	<b>88705512</b>
NKP-SNTL 310	■ FeZn	310	1,00	0,30	30	<b>88705513</b>



### NKP-SNT Wall bracket

The **NKP-SNT** wall bracket is designed for mounting cable trays and cable ladders to the wall. The use of fasteners for wall mounting depends on the type of wall material (concrete, brick, etc.). The bracket is also suitable for the mounting on the **NKP-VNV** or **NKP-VNU** hanging bracket. The bracket is appropriate for the installation together with the **PKP-VE 02** connecting element on the **NKP-UL** load-bearing profile. The recommended spacing between brackets is defined based on the load diagram.



ITEM	MATERIAL	A (mm)	F <sub>max</sub> (kN)	KG/PC.	PACKAGE	PROD. CODE
NKP-SNT 60	■ FeZn	60	1,90	0,08	100	<b>88704140</b>
NKP-SNT 110	■ FeZn	110	1,65	0,17	100	<b>88704141</b>
NKP-SNT 210	■ FeZn	210	3,50	0,34	40	<b>88704142</b>
NKP-SNT 310	■ FeZn	310	2,25	0,45	25	<b>88704143</b>
NKP-SNT 410	■ FeZn	410	1,75	0,60	15	<b>88704144</b>
NKP-SNT 510	■ FeZn	510	1,50	0,74	15	<b>88704145</b>
NKP-SNT 610	■ FeZn	610	1,30	0,91	14	<b>88704146</b>

ITEM	MATERIAL	A (mm)	F <sub>max</sub> (kN)	KG/PC.	PACKAGE	PROD. CODE
NKP-SNT 60	■ Rf	60	1,90	0,08	100	<b>88704240</b>
NKP-SNT 110	■ Rf	110	1,65	0,17	100	<b>88704241</b>
NKP-SNT 210	■ Rf	210	3,50	0,34	40	<b>88704242</b>
NKP-SNT 310	■ Rf	310	2,25	0,46	25	<b>88704243</b>
NKP-SNT 410	■ Rf	410	1,75	0,60	15	<b>88704244</b>
NKP-SNT 510	■ Rf	510	1,50	0,74	15	<b>88704245</b>
NKP-SNT 610	■ Rf	610	1,30	0,91	14	<b>88704246</b>

ITEM	MATERIAL	A (mm)	F <sub>max</sub> (kN)	KG/PC.	PACKAGE	PROD. CODE
NKP-SNT 60	■ FeZn-H	60	1,90	0,09	100	<b>88704640</b>
NKP-SNT 110	■ FeZn-H	110	1,65	0,17	100	<b>88704641</b>
NKP-SNT 210	■ FeZn-H	210	3,50	0,34	40	<b>88704642</b>
NKP-SNT 310	■ FeZn-H	310	2,25	0,45	25	<b>88704643</b>
NKP-SNT 410	■ FeZn-H	410	1,75	0,60	15	<b>88704644</b>
NKP-SNT 510	■ FeZn-H	510	1,50	0,79	15	<b>88704645</b>
NKP-SNT 610	■ FeZn-H	610	1,30	0,99	14	<b>88704646</b>

ITEM	MATERIAL	A (mm)	F <sub>max</sub> (kN)	KG/PC.	PACKAGE	PROD. CODE
NKP-SNT 60	■ Rf*H4	60	1,90	0,08	100	<b>88704740*</b>
NKP-SNT 110	■ Rf*H4	110	1,65	0,17	100	<b>88704741*</b>
NKP-SNT 210	■ Rf*H4	210	3,50	0,34	40	<b>88704742*</b>
NKP-SNT 310	■ Rf*H4	310	2,25	0,46	25	<b>88704743*</b>
NKP-SNT 410	■ Rf*H4	410	1,75	0,60	15	<b>88704744*</b>
NKP-SNT 510	■ Rf*H4	510	1,50	0,74	15	<b>88704745*</b>
NKP-SNT 610	■ Rf*H4	610	1,30	0,91	14	<b>88704746*</b>

ITEM	MATERIAL	A (mm)	F <sub>max</sub> (kN)	KG/PC.	PACKAGE	PROD. CODE
NKP-SNT 60	■ FeZn-PVC	60	1,90	0,09	100	<b>88704340*</b>
NKP-SNT 110	■ FeZn-PVC	110	1,65	0,17	80	<b>88704341*</b>
NKP-SNT 210	■ FeZn-PVC	210	3,50	0,34	40	<b>88704342*</b>
NKP-SNT 310	■ FeZn-PVC	310	2,25	0,45	40	<b>88704343*</b>
NKP-SNT 410	■ FeZn-PVC	410	1,75	0,60	15	<b>88704344*</b>
NKP-SNT 510	■ FeZn-PVC	510	1,50	0,79	15	<b>88704345*</b>
NKP-SNT 610	■ FeZn-PVC	610	1,30	0,99	14	<b>88704346*</b>





## NKP-SNV Welded wall bracket

The **NKP-SNV** wall bracket is designed for mounting cable trays and cable ladders to the wall. The use of fasteners for wall mounting depends on the type of wall material (concrete, brick, etc.). The recommended spacing between brackets is defined based on the load diagram.

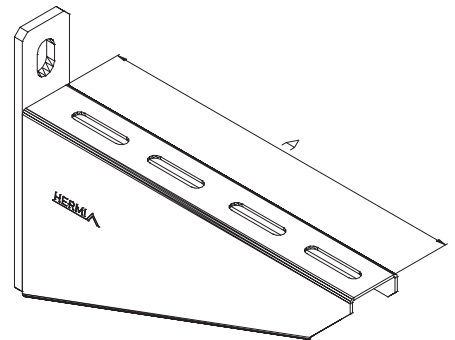
ITEM	MATERIAL	A (mm)	F <sub>max</sub> (kN)	KG/PC.	PACKAGE	PROD. CODE
NKP-SNV 110	■ FeZn	110	2,40	0,25	50	<b>88704104</b>
NKP-SNV 210	■ FeZn	210	3,50	0,40	25	<b>88704105</b>
NKP-SNV 310	■ FeZn	310	2,85	0,65	12	<b>88704106</b>
NKP-SNV 410	■ FeZn	410	2,50	0,80	25	<b>88704107</b>
NKP-SNV 510	■ FeZn	510	3,75	1,20	20	<b>88704108</b>
NKP-SNV 610	■ FeZn	610	2,85	1,28	25	<b>88704500</b>

ITEM	MATERIAL	A (mm)	F <sub>max</sub> (kN)	KG/PC.	PACKAGE	PROD. CODE
NKP-SNV 110	■ Rf	110	2,40	0,25	50	<b>88704204</b>
NKP-SNV 210	■ Rf	210	3,50	0,40	25	<b>88704205</b>
NKP-SNV 310	■ Rf	310	2,85	0,65	12	<b>88704206</b>
NKP-SNV 410	■ Rf	410	2,50	0,80	25	<b>88704207</b>
NKP-SNV 510	■ Rf	510	3,75	1,20	20	<b>88704208</b>
NKP-SNV 610	■ Rf	610	2,85	1,28	25	<b>88704215</b>

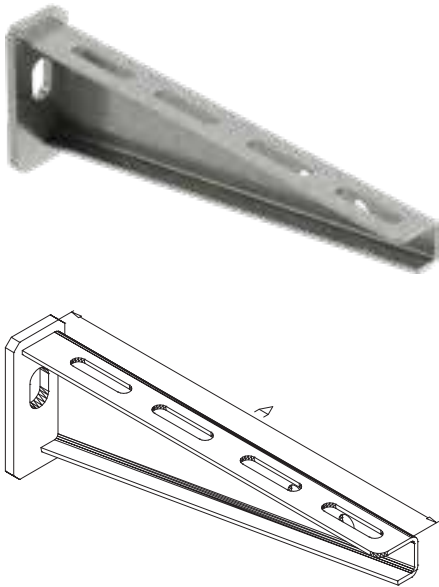
ITEM	MATERIAL	A (mm)	F <sub>max</sub> (kN)	KG/PC.	PACKAGE	PROD. CODE
NKP-SNV 110	■ FeZn-H	110	2,40	0,30	50	<b>88704604</b>
NKP-SNV 210	■ FeZn-H	210	3,50	0,44	25	<b>88704605</b>
NKP-SNV 310	■ FeZn-H	310	2,85	0,70	12	<b>88704606</b>
NKP-SNV 410	■ FeZn-H	410	2,50	0,86	25	<b>88704607</b>
NKP-SNV 510	■ FeZn-H	510	3,75	1,32	20	<b>88704608</b>
NKP-SNV 610	■ FeZn-H	610	2,85	1,40	25	<b>88704609</b>

ITEM	MATERIAL	A (mm)	F <sub>max</sub> (kN)	KG/PC.	PACKAGE	PROD. CODE
NKP-SNV 110	■ Rf*H4	110	2,40	0,25	50	<b>88704404*</b>
NKP-SNV 210	■ Rf*H4	210	3,50	0,40	25	<b>88704405*</b>
NKP-SNV 310	■ Rf*H4	310	2,85	0,65	12	<b>88704406*</b>
NKP-SNV 410	■ Rf*H4	410	2,50	0,80	25	<b>88704407*</b>
NKP-SNV 510	■ Rf*H4	510	3,75	1,20	20	<b>88704408*</b>
NKP-SNV 610	■ Rf*H4	610	2,85	1,28	25	<b>88704409*</b>

ITEM	MATERIAL	A (mm)	F <sub>max</sub> (kN)	KG/PC.	PACKAGE	PROD. CODE
NKP-SNV 110	■ FeZn-PVC	110	2,40	0,30	50	<b>88704304*</b>
NKP-SNV 210	■ FeZn-PVC	210	3,50	0,44	25	<b>88704305*</b>
NKP-SNV 310	■ FeZn-PVC	310	2,85	0,70	12	<b>88704306*</b>
NKP-SNV 410	■ FeZn-PVC	410	2,50	0,86	25	<b>88704307*</b>
NKP-SNV 510	■ FeZn-PVC	510	3,75	1,32	20	<b>88704308*</b>
NKP-SNV 610	■ FeZn-PVC	610	2,85	1,40	25	<b>88704316*</b>



\* upon request



### NKP-WK Welded wall bracket

The **NKP-WK** wall bracket is designed for mounting cable trays and cable ladders to the wall. The use of fasteners for wall mounting depends on the type of wall material (concrete, brick, etc.). The recommended spacing between brackets is defined based on the load diagram.

ITEM	MATERIAL	A (mm)	F <sub>max</sub> (kN)	KG/PC.	PACKAGE	PROD. CODE
NKP-WK 110	■ FeZn	110	2,50	0,14	1	<b>88707301</b>
NKP-WK 210	■ FeZn	210	3,85	0,22	1	<b>88707302</b>
NKP-WK 310	■ FeZn	310	2,60	0,41	1	<b>88707303</b>
NKP-WK 410	■ FeZn	410	3,35	0,76	1	<b>88707304</b>
NKP-WK 510	■ FeZn	510	4,35	1,15	1	<b>88707305</b>
NKP-WK 610	■ FeZn	610	3,65	1,36	1	<b>88707306</b>

ITEM	MATERIAL	A (mm)	F <sub>max</sub> (kN)	KG/PC.	PACKAGE	PROD. CODE
NKP-WK 110	■ FeZn-H	110	2,50	0,14	1	<b>88719001</b>
NKP-WK 210	■ FeZn-H	210	3,85	0,22	1	<b>88719002</b>
NKP-WK 310	■ FeZn-H	310	2,60	0,41	1	<b>88719003</b>
NKP-WK 410	■ FeZn-H	410	3,35	0,76	1	<b>88719004</b>
NKP-WK 510	■ FeZn-H	510	4,35	1,15	1	<b>88719005</b>
NKP-WK 610	■ FeZn-H	610	3,65	1,36	1	<b>88719006</b>

### NKP-SNTD Bracket 2x110, 2x210, 2x310

The **NKP-SNTD** bracket is designed for two sided mounting of cable trays and cable ladders to the **NKP-SNU** or **NKP-VNV** bracket. The advantage of this bracket is that a single attachment provides a double/two-sided path for cable trays or cable ladders. The recommended spacing between brackets is defined based on the load diagram.



ITEM	MATERIAL	A (mm)	F <sub>max</sub> - ON ONE SIDE (kN)	KG/PC.	PACKAGE	PROD. CODE
NKP-SNTD 2X110	■ FeZn	253	1,50	0,28	50	<b>88704181</b>
NKP-SNTD 2X210	■ FeZn	453	1,30	0,59	25	<b>88704182</b>
NKP-SNTD 2X310	■ FeZn	653	1,00	1,10	20	<b>88704183</b>

ITEM	MATERIAL	A (mm)	F <sub>max</sub> - ON ONE SIDE (kN)	KG/PC.	PACKAGE	PROD. CODE
NKP-SNTD 2X110	■ Rf	253	1,50	0,28	50	<b>88704281</b>
NKP-SNTD 2X210	■ Rf	453	1,30	0,59	25	<b>88704282</b>
NKP-SNTD 2X310	■ Rf	653	1,00	1,10	20	<b>88704283</b>

ITEM	MATERIAL	A (mm)	F <sub>max</sub> - ON ONE SIDE (kN)	KG/PC.	PACKAGE	PROD. CODE
NKP-SNTD 2X110	■ FeZn-H	253	1,50	0,29	50	<b>88704681</b>
NKP-SNTD 2X210	■ FeZn-H	453	1,30	0,61	25	<b>88704682</b>
NKP-SNTD 2X310	■ FeZn-H	653	1,00	1,14	20	<b>88704683</b>

ITEM	MATERIAL	A (mm)	F <sub>max</sub> - ON ONE SIDE (kN)	KG/PC.	PACKAGE	PROD. CODE
NKP-SNTD 2X110	■ Rf*H4	253	1,50	0,28	50	<b>88704781*</b>
NKP-SNTD 2X210	■ Rf*H4	453	1,30	0,59	25	<b>88704782*</b>
NKP-SNTD 2X310	■ Rf*H4	653	1,00	1,10	20	<b>88704783*</b>

ITEM	MATERIAL	A (mm)	F <sub>max</sub> - ON ONE SIDE (kN)	KG/PC.	PACKAGE	PROD. CODE
NKP-SNTD 2X110	■ FeZn-PVC	253	1,50	0,29	50	*
NKP-SNTD 2X210	■ FeZn-PVC	453	1,30	0,61	25	*
NKP-SNTD 2X310	■ FeZn-PVC	653	1,00	1,14	20	*

\* upon request



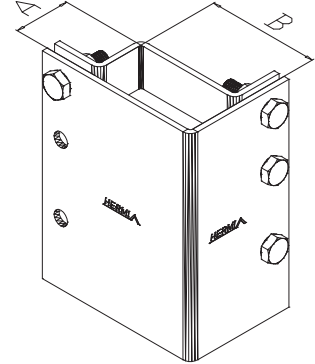
## NKP-OB2 Pillar clamp

Basic attachment element for attaching HERMI brackets to square pipes/pillars (40 mm x 80mm, 60 mm x 60 mm).

ITEM	MATERIAL	A (mm)	B (mm)	KG/PC.	PACKAGE	PROD. CODE
NKP-OB 80/40	■ FeZn	40	80	1,30	20	<b>88707200</b>
NKP-OB 60/60	■ FeZn	60	60	1,30	20	<b>88707201</b>

ITEM	MATERIAL	A (mm)	B (mm)	KG/PC.	PACKAGE	PROD. CODE
NKP-OB 80/40	■ Rf	40	80	1,30	20	<b>88708300</b>
NKP-OB 60/60	■ Rf	60	60	1,30	20	<b>88708301</b>

ITEM	MATERIAL	A (mm)	B (mm)	KG/PC.	PACKAGE	PROD. CODE
NKP-OB 80/40	■ FeZn-H	40	80		20	<b>88718900</b>
NKP-OB 60/60	■ FeZn-H	60	60		20	<b>88718901</b>



## NKP-VN Hanging bracket

The **NKP-VN** hanging bracket is designed for the mounting of cable trays on the ceiling. The bracket is placed in the cable tray itself and fixed on the roof with the help of the M8 threaded rod. The recommended spacing between brackets is defined based on the load diagram.

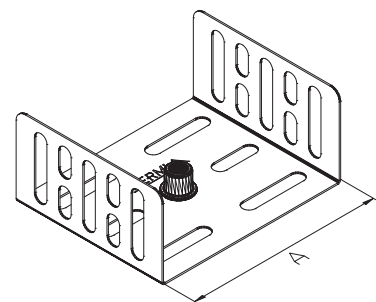
ITEM	MATERIAL	A (mm)	KG/PC.	PACKAGE	PROD. CODE
NKP-VN 50	■ FeZn	50	0,09	150	<b>88704123</b>
NKP-VN 100	■ FeZn	100	0,11	70	<b>88704109</b>
NKP-VN 200	■ FeZn	200	0,16	35	<b>88704110</b>

ITEM	MATERIAL	A (mm)	KG/PC.	PACKAGE	PROD. CODE
NKP-VN 50	■ Rf	50	0,09	70	<b>88704227</b>
NKP-VN 100	■ Rf	100	0,11	70	<b>88704209</b>
NKP-VN 200	■ Rf	200	0,16	35	<b>88704210</b>

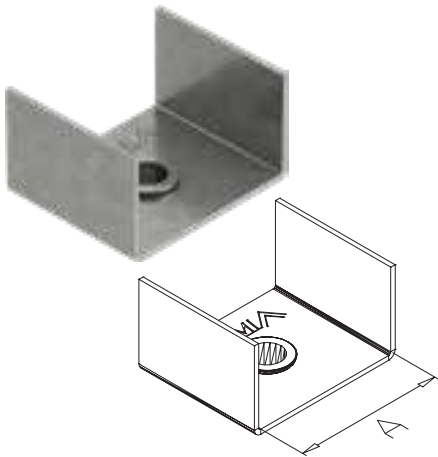
ITEM	MATERIAL	A (mm)	KG/PC.	PACKAGE	PROD. CODE
NKP-VN 50	■ FeZn-H	50	0,10	150	<b>88704615</b>
NKP-VN 100	■ FeZn-H	100	0,16	35	<b>88704611</b>
NKP-VN 200	■ FeZn-H	200	0,47	40	<b>88704612</b>

ITEM	MATERIAL	A (mm)	KG/PC.	PACKAGE	PROD. CODE
NKP-VN 50	■ Rf*H4	50	0,09	70	<b>88704415*</b>
NKP-VN 100	■ Rf*H4	100	0,11	70	<b>88704410*</b>
NKP-VN 200	■ Rf*H4	200	0,16	35	<b>88704411*</b>

ITEM	MATERIAL	A (mm)	KG/PC.	PACKAGE	PROD. CODE
NKP-VN 50	■ FeZn-PVC	50	0,10	150	<b>88704315*</b>
NKP-VN 100	■ FeZn-PVC	100	0,16	70	<b>88704309*</b>
NKP-VN 200	■ FeZn-PVC	200	0,47	35	<b>88704310*</b>



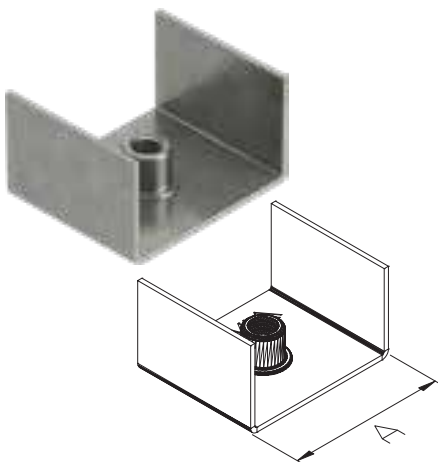
\* upon request



### NKP-VN1M8 50 Hanging bracket

The **NKP-VN1M8 50** hanging bracket is designed for mounting **30 mm** high cable trays with edge to the ceiling. The bracket is placed in the cable tray itself and fixed on the roof with the help of the **M8** threaded rod. The recommended spacing between the brackets is determined on the basis of the load diagram. Appropriate for lightweight loads, e.g. for marking parking spaces in parking garages.

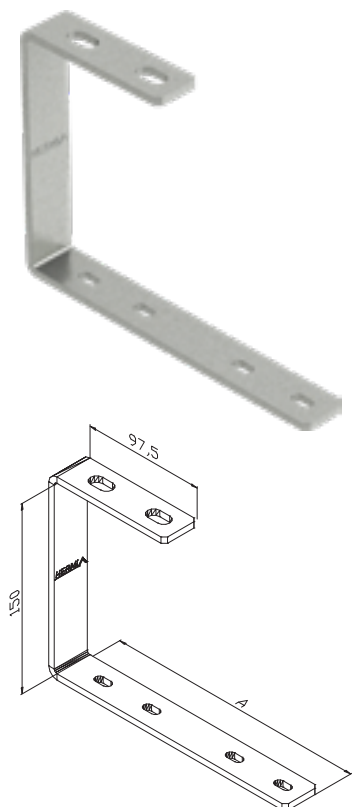
ITEM	MATERIAL	A (mm)	KG/PC.	PACKAGE	PROD. CODE
NKP-VN1M8 50	■ FeZn	50	0,05	100	<b>88704126</b>



### NKP-VN2M8 50 Hanging bracket

The **NKP-VN2M8 50** hanging bracket is designed for mounting **30 mm** high cable trays with edge to the ceiling. The bracket is placed in the cable tray itself and fixed on the roof with the help of the **M8** threaded rod. The recommended spacing between the brackets is determined on the basis of the load diagram. Appropriate for lightweight loads, e.g. for marking parking spaces in parking garages.

ITEM	MATERIAL	A (mm)	KG/PC.	PACKAGE	PROD. CODE
NKP-VN2M8 50	■ FeZn	50	0,05	100	<b>88704127</b>
NKP-VN2M8 50	■ Rf	50	0,05	100	
NKP-VN2M8 50	■ FeZn-H	50	0,05	100	



### NKP-VNU Hanging bracket

The **NKP-VNU** hanging bracket is designed for the mounting of cable trays on the ceiling. The use of fasteners for ceiling mounting depends on the type of ceiling material (concrete, brick, etc.). The recommended spacing between brackets is defined based on the load diagram.

ITEM	MATERIAL	A (mm)	F <sub>max</sub> (kN)	KG/PC.	PACKAGE	PROD. CODE
NKP-VNU 110	■ FeZn	110	0,25	0,46	40	<b>88704112</b>
NKP-VNU 210	■ FeZn	210	0,15	0,59	25	<b>88704113</b>
NKP-VNU 310	■ FeZn	310	0,10	0,71	25	<b>88704114</b>

ITEM	MATERIAL	A (mm)	F <sub>max</sub> (kN)	KG/PC.	PACKAGE	PROD. CODE
NKP-VNU 110	■ Rf	110	0,25	0,30	40	<b>88704212</b>
NKP-VNU 210	■ Rf	210	0,15	0,40	25	<b>88704213</b>

ITEM	MATERIAL	A (mm)	F <sub>max</sub> (kN)	KG/PC.	PACKAGE	PROD. CODE
NKP-VNU 110	■ FeZn-H	110	0,25	0,47	40	<b>88704612</b>
NKP-VNU 210	■ FeZn-H	210	0,15	0,62	25	<b>88704613</b>
NKP-VNU 310	■ FeZn-H	310	0,10		25	<b>88704614</b>

ITEM	MATERIAL	A (mm)	F <sub>max</sub> (kN)	KG/PC.	PACKAGE	PROD. CODE
NKP-VNU 110	■ Rf*H4	110	0,25	0,31	40	<b>88704412*</b>
NKP-VNU 210	■ Rf*H4	210	0,15	0,40	25	<b>88704413*</b>

ITEM	MATERIAL	A (mm)	F <sub>max</sub> (kN)	KG/PC.	PACKAGE	PROD. CODE
NKP-VNU 110	■ FeZn-PVC	110	0,25	0,47	40	<b>88704312*</b>
NKP-VNU 210	■ FeZn-PVC	210	0,15	0,62	25	<b>88704313*</b>



## NKP-VNU/OMEGA Hanging bracket

The **NKP-VNU/OMEGA** hanging bracket is designed for mounting cable trays and cable ladders to the ceiling. The use of fasteners for wall mounting depends on the type of wall material (concrete, brick, etc.). The bracket is also suitable for the mounting on the **NKP-VNV** or **NKP-VNU** hanging bracket. The recommended spacing between the brackets is determined on the basis of the load diagram.

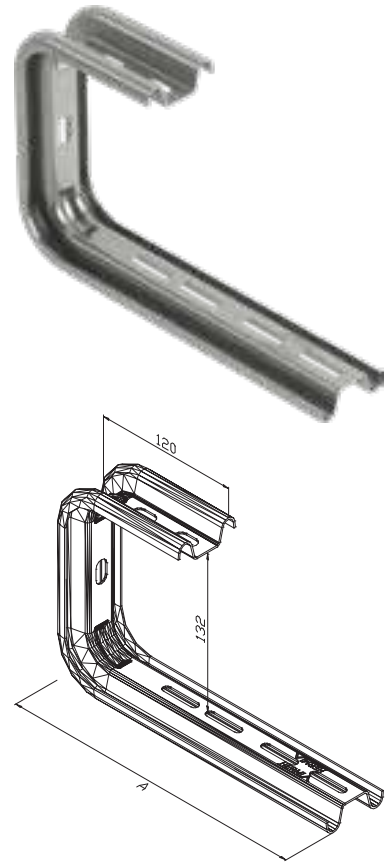
ITEM	MATERIAL	A (mm)	F <sub>max</sub> (kN)	KG/PC.	PACKAGE	PROD. CODE
NKP-VNU/OMEGA 110	■ FeZn	160	0,70	0,40	40	<b>88707181</b>
NKP-VNU/OMEGA 210	■ FeZn	260	0,50	0,50	40	<b>88707182</b>
NKP-VNU/OMEGA310	■ FeZn	360	0,35	0,60	25	<b>88707183</b>
NKP-VNU/OMEGA 410	■ FeZn	460	0,25	0,70	20	<b>88707184</b>
NKP-VNU/OMEGA 510	■ FeZn	560	0,15	0,82	15	<b>88707185</b>
NKP-VNU/OMEGA 610	■ FeZn	660	0,10	0,90	10	<b>88707186</b>

ITEM	MATERIAL	A (mm)	F <sub>max</sub> (kN)	KG/PC.	PACKAGE	PROD. CODE
NKP-VNU/OMEGA 110	■ Rf	160	0,70	0,40	40	<b>88708281</b>
NKP-VNU/OMEGA 210	■ Rf	260	0,50	0,50	40	<b>88708282</b>
NKP-VNU/OMEGA310	■ Rf	360	0,35	0,60	25	<b>88708283</b>
NKP-VNU/OMEGA 410	■ Rf	460	0,25	0,70	20	<b>88708284</b>
NKP-VNU/OMEGA 510	■ Rf	560	0,15	0,82	15	<b>88708285</b>
NKP-VNU/OMEGA 610	■ Rf	660	0,10	0,90	10	<b>88708286</b>

ITEM	MATERIAL	A (mm)	F <sub>max</sub> (kN)	KG/PC.	PACKAGE	PROD. CODE
NKP-VNU/OMEGA 110	■ FeZn-H	160	0,70	0,44	40	<b>88718881</b>
NKP-VNU/OMEGA 210	■ FeZn-H	260	0,50	0,55	40	<b>88718882</b>
NKP-VNU/OMEGA310	■ FeZn-H	360	0,35	0,60	25	<b>88718883</b>
NKP-VNU/OMEGA 410	■ FeZn-H	460	0,25	0,70	20	<b>88718884</b>
NKP-VNU/OMEGA 510	■ FeZn-H	560	0,15	0,82	15	<b>88718885</b>
NKP-VNU/OMEGA 610	■ FeZn-H	660	0,10	0,90	10	<b>88718886</b>

ITEM	MATERIAL	A (mm)	F <sub>max</sub> (kN)	KG/PC.	PACKAGE	PROD. CODE
NKP-VNU/OMEGA 110	■ Rf*H4	160	0,70	0,40	40	<b>88704791*</b>
NKP-VNU/OMEGA 210	■ Rf*H4	260	0,50	0,50	40	<b>88704792*</b>
NKP-VNU/OMEGA310	■ Rf*H4	360	0,35	0,60	25	<b>88704793*</b>
NKP-VNU/OMEGA 410	■ Rf*H4	460	0,25	0,70	20	<b>88704794*</b>
NKP-VNU/OMEGA 510	■ Rf*H4	560	0,15	0,82	15	<b>88704795*</b>
NKP-VNU/OMEGA 610	■ Rf*H4	660	0,10	0,90	10	<b>88704796*</b>

ITEM	MATERIAL	A (mm)	F <sub>max</sub> (kN)	KG/PC.	PACKAGE	PROD. CODE
NKP-VNU/OMEGA 110	■ FeZn-PVC	160	0,70		40	<b>88733011*</b>
NKP-VNU/OMEGA 210	■ FeZn-PVC	260	0,50		40	<b>88733012*</b>
NKP-VNU/OMEGA 310	■ FeZn-PVC	360	0,35		25	<b>88733013*</b>
NKP-VNU/OMEGA 410	■ FeZn-PVC	460	0,25		20	<b>88733014*</b>
NKP-VNU/OMEGA 510	■ FeZn-PVC	560	0,15		15	<b>88733015*</b>
NKP-VNU/OMEGA 610	■ FeZn-PVC	660	0,10		10	<b>88733016*</b>



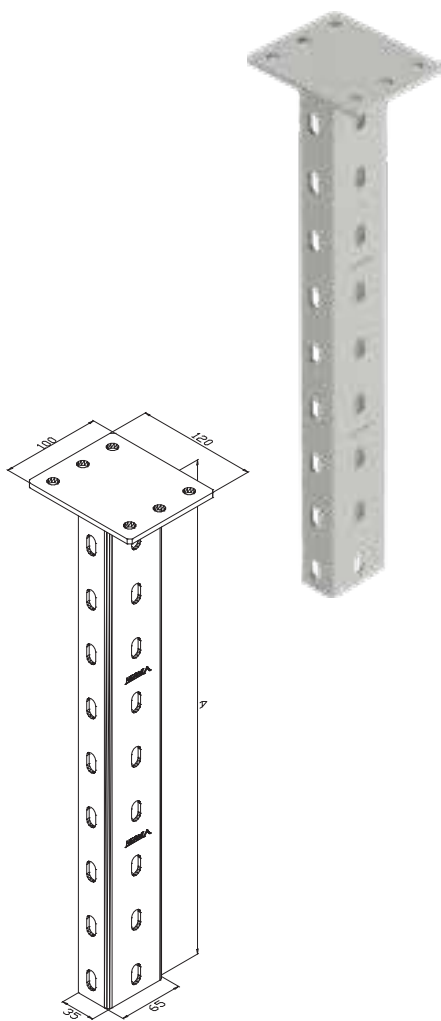
## ZP-OMEGA Protective caps

Protective caps are intended to cover the ends of supports or profiles of cable trays. It is made of plastic and gives a professional appearance. The protective caps are perfectly adapted to products of the HERMI® cable trays program and allows easy installation.

ITEM	MATERIAL	KG/PC.	PACKAGE	PROD. CODE
ZP-OMEGA	LDPE	0,01	150	<b>88706502</b>



\* upon request



### NKP-VNV Welded hanging bracket

The **NKP-VNV** welded hanging bracket is designed for mounting cable trays to the ceiling. The bracket is fixed to the ceiling using four bolts on which the wall bracket (**NKP-SNT, NKP-SNTD**) is mounted as a support element of the cable tray and cable ladder. The use of fasteners for ceiling mounting depends on the type of ceiling material (concrete, brick, etc.). The recommended spacing between brackets is defined based on the load diagram.

ITEM	MATERIAL	A (mm)	M <sub>max</sub> (kNm)	KG/PC.	PACKAGE	PROD. CODE
NKP-VNV 300	■ FeZn	300	1,95	1,40	2	<b>88704115</b>
NKP-VNV 500	■ FeZn	500	1,95	1,85	2	<b>88704116</b>
NKP-VNV 750	■ FeZn	750	1,95	2,60	2	<b>88704118</b>
NKP-VNV 1000	■ FeZn	1000	1,95	3,30	2	<b>88704117</b>
NKP-VNV 1500	■ FeZn	1500	1,85	4,40	2	<b>88704119</b>

ITEM	MATERIAL	A (mm)	M <sub>max</sub> (kNm)	KG/PC.	PACKAGE	PROD. CODE
NKP-VNV 300	■ Rf	300	1,95	1,40	2	<b>88704219</b>
NKP-VNV 500	■ Rf	500	1,95	1,79	2	<b>88704220</b>
NKP-VNV 750	■ Rf	750	1,95	2,47	2	<b>88704221</b>
NKP-VNV 1000	■ Rf	1000	1,95	3,30	2	<b>88704222</b>
NKP-VNV 1500	■ Rf	1500	1,85	4,40	2	<b>88704223</b>
NKP-VNV 2000	■ Rf	2000	1,75	6,30	2	<b>88704224</b>
NKP-VNV 2500	■ Rf	2500	1,55	7,12	2	<b>88704225</b>
NKP-VNV 3000	■ Rf	3000	1,30	8,55	2	<b>88704226</b>

ITEM	MATERIAL	A (mm)	M <sub>max</sub> (kNm)	KG/PC.	PACKAGE	PROD. CODE
NKP-VNV 300	■ FeZn-H	300	1,95	1,50	2	<b>88704619*</b>
NKP-VNV 500	■ FeZn-H	500	1,95	1,85	2	<b>88704620*</b>
NKP-VNV 750	■ FeZn-H	750	1,95	2,63	2	<b>88704621*</b>
NKP-VNV 1000	■ FeZn-H	1000	1,95	3,40	2	<b>88704622*</b>
NKP-VNV 1500	■ FeZn-H	1500	1,85	4,50	2	<b>88704623*</b>
NKP-VNV 2000	■ FeZn-H	2000	1,75	6,40	2	<b>88704624*</b>
NKP-VNV 2500	■ FeZn-H	2500	1,55	7,25	2	<b>88704625*</b>
NKP-VNV 3000	■ FeZn-H	3000	1,30	8,59	2	<b>88704626*</b>

ITEM	MATERIAL	A (mm)	M <sub>max</sub> (kNm)	KG/PC.	PACKAGE	PROD. CODE
NKP-VNV 300	■ Rf*H4	300	1,95	1,40	2	<b>88704719*</b>
NKP-VNV 500	■ Rf*H4	500	1,95	1,79	2	<b>88704720*</b>
NKP-VNV 750	■ Rf*H4	750	1,95	2,47	2	<b>88704721*</b>
NKP-VNV 1000	■ Rf*H4	1000	1,95	3,30	2	<b>88704722*</b>
NKP-VNV 1500	■ Rf*H4	1500	1,85	4,20	2	<b>88704723*</b>
NKP-VNV 2000	■ Rf*H4	2000	1,75	6,30	2	<b>88704724*</b>
NKP-VNV 2500	■ Rf*H4	2500	1,55	7,25	2	<b>88704725*</b>
NKP-VNV 3000	■ Rf*H4	3000	1,30	8,55	2	<b>88704726*</b>

\* upon request

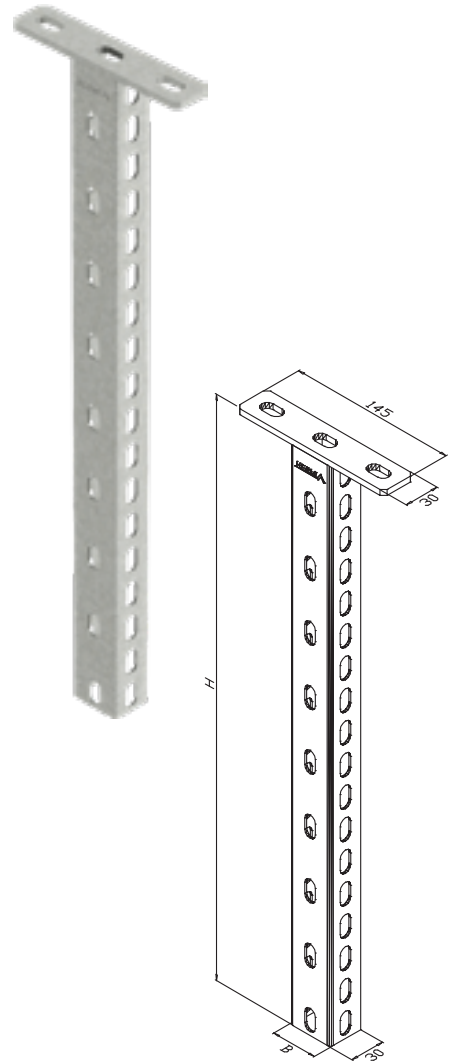


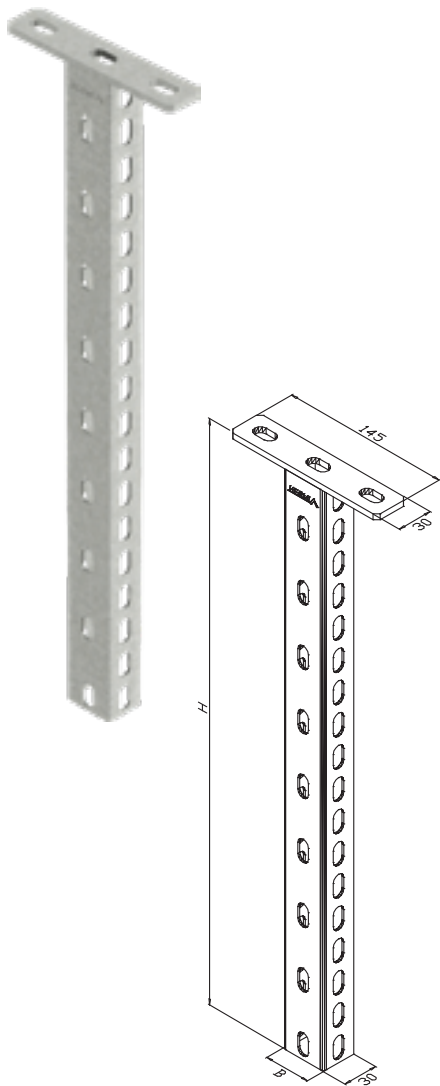
### NKP-DH 40- Welded hanging bracket

The **NKP-DH 40** welded hanging bracket is designed for mounting cable trays to the ceiling. The bracket is fixed to the ceiling using four bolts on which the wall bracket (**NKP-SNT, NKP-SNTD**) is mounted as a support element of the cable tray and cable ladder. The use of fasteners for ceiling mounting depends on the type of ceiling material (concrete, brick, etc.). The recommended spacing between brackets is defined based on the load diagram.

ITEM	MATERIAL	A (mm)	B (mm)	M <sub>max</sub> (kNm)	PACKAGE	PROD. CODE
NKP-DH 40-02	■ FeZn	200	40	0,43	1	<b>88707262</b>
NKP-DH 40-03	■ FeZn	300	40	0,43	1	<b>88707263</b>
NKP-DH 40-04	■ FeZn	400	40	0,43	1	<b>88707264</b>
NKP-DH 40-05	■ FeZn	500	40	0,43	1	<b>88707265</b>
NKP-DH 40-06	■ FeZn	600	40	0,43	1	<b>88707266</b>
NKP-DH 40-07	■ FeZn	700	40	0,43	1	<b>88707267</b>
NKP-DH 40-08	■ FeZn	800	40	0,43	1	<b>88707268</b>
NKP-DH 40-09	■ FeZn	900	40	0,43	1	<b>88707269</b>
NKP-DH 40-10	■ FeZn	1000	40	0,43	1	<b>88707270</b>
NKP-DH 40-12	■ FeZn	1200	40	0,43	1	<b>88707272</b>

ITEM	MATERIAL	A (mm)	B (mm)	M <sub>max</sub> (kNm)	PACKAGE	PROD. CODE
NKP-DH 40-02	■ FeZn-H	200	40	0,43	1	<b>88718962</b>
NKP-DH 40-03	■ FeZn-H	300	40	0,43	1	<b>88718963</b>
NKP-DH 40-04	■ FeZn-H	400	40	0,43	1	<b>88718964</b>
NKP-DH 40-05	■ FeZn-H	500	40	0,43	1	<b>88718965</b>
NKP-DH 40-06	■ FeZn-H	600	40	0,43	1	<b>88718966</b>
NKP-DH 40-07	■ FeZn-H	700	40	0,43	1	<b>88718967</b>
NKP-DH 40-08	■ FeZn-H	800	40	0,43	1	<b>88718968</b>
NKP-DH 40-09	■ FeZn-H	900	40	0,43	1	<b>88718969</b>
NKP-DH 40-10	■ FeZn-H	1000	40	0,43	1	<b>88718970</b>
NKP-DH 40-12	■ FeZn-H	1200	40	0,43	1	<b>88718972</b>





### NKP-DH 57- Welded hanging bracket

The **NKP-DH 57** welded hanging bracket is designed for mounting cable trays to the ceiling. The bracket is fixed to the ceiling using four bolts on which the wall bracket (**NKP-SNT, NKP-SNTD**) is mounted as a support element of the cable tray and cable ladder. The use of fasteners for ceiling mounting depends on the type of ceiling material (concrete, brick, etc.). The recommended spacing between brackets is defined based on the load diagram.

ITEM	MATERIAL	A (mm)	B (mm)	M <sub>max</sub> (kNm)	PACKAGE	PROD. CODE
NKP-DH 57-02	■ FeZn	200	57	0,65	1	<b>88707282</b>
NKP-DH 57-03	■ FeZn	300	57	0,65	1	<b>88707283</b>
NKP-DH 57-04	■ FeZn	400	57	0,65	1	<b>88707284</b>
NKP-DH 57-05	■ FeZn	500	57	0,65	1	<b>88707285</b>
NKP-DH 57-06	■ FeZn	600	57	0,65	1	<b>88707286</b>
NKP-DH 57-07	■ FeZn	700	57	0,65	1	<b>88707287</b>
NKP-DH 57-08	■ FeZn	800	57	0,65	1	<b>88707288</b>
NKP-DH 57-09	■ FeZn	900	57	0,65	1	<b>88707289</b>
NKP-DH 57-10	■ FeZn	1000	57	0,65	1	<b>88707290</b>
NKP-DH 57-12	■ FeZn	1200	57	0,65	1	<b>88707292</b>
NKP-DH 57-15	■ FeZn	1500	57	0,65	1	<b>88707295</b>

ITEM	MATERIAL	A (mm)	B (mm)	M <sub>max</sub> (kNm)	PACKAGE	PROD. CODE
NKP-DH 57-02	■ FeZn-H	200	57	0,65	1	<b>88718982</b>
NKP-DH 57-03	■ FeZn-H	300	57	0,65	1	<b>88718983</b>
NKP-DH 57-04	■ FeZn-H	400	57	0,65	1	<b>88718984</b>
NKP-DH 57-05	■ FeZn-H	500	57	0,65	1	<b>88718985</b>
NKP-DH 57-06	■ FeZn-H	600	57	0,65	1	<b>88718986</b>
NKP-DH 57-07	■ FeZn-H	700	57	0,65	1	<b>88718987</b>
NKP-DH 57-08	■ FeZn-H	800	57	0,65	1	<b>88718988</b>
NKP-DH 57-09	■ FeZn-H	900	57	0,65	1	<b>88718989</b>
NKP-DH 57-10	■ FeZn-H	1000	57	0,65	1	<b>88718990</b>
NKP-DH 57-12	■ FeZn-H	1200	57	0,65	1	<b>88718992</b>
NKP-DH 57-15	■ FeZn-H	1500	57	0,65	1	<b>88718995</b>





## NKP-SNU/P Hanging bracket

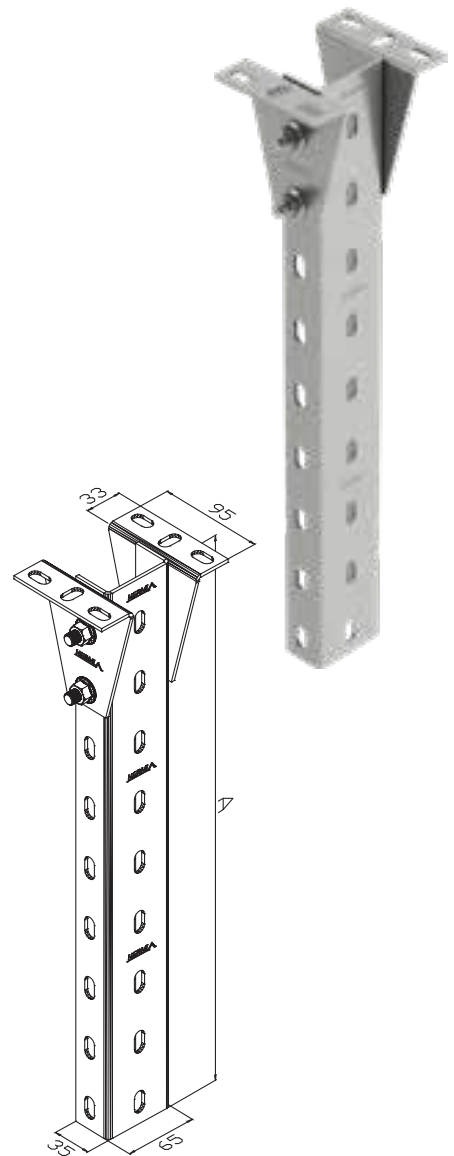
The **NKP-SNU/P** hanging bracket is designed for mounting cable trays to the ceiling. Adjustable to the ceiling plane. The bracket is fixed to the ceiling using four bolts on which the wall bracket (**NKP-SNT, NKP-SNTD**) is mounted as a support element of the cable tray and cable ladder. The use of fasteners for ceiling mounting depends on the type of wall material (concrete, brick, etc.). The recommended spacing between the brackets is determined on the basis of the load diagram.

ITEM	MATERIAL	A (mm)	M <sub>max</sub> (kNm)	KG/PC.	PACKAGE	PROD. CODE
NKP-SNU/P 300	■ FeZn	300	0,90	1,42	2	<b>88707100</b>
NKP-SNU/P 500	■ FeZn	500	0,90	1,92	2	<b>88707101</b>
NKP-SNU/P 750	■ FeZn	750	0,90	2,50	2	<b>88707102</b>
NKP-SNU/P 1000	■ FeZn	1000	0,90	3,26	2	<b>88707103</b>
NKP-SNU/P 1500	■ FeZn	1500	0,85	4,58	2	<b>88707104</b>
NKP-SNU/P 2000	■ FeZn	2000	0,80	6,50	2	<b>88707105</b>
NKP-SNU/P 2500	■ FeZn	2500	0,70	7,10	2	<b>88707107</b>
NKP-SNU/P 3000	■ FeZn	3000	0,60	8,20	2	<b>88707106</b>

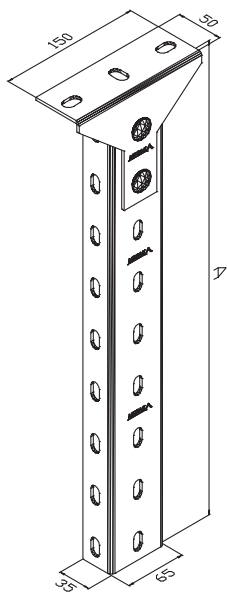
ITEM	MATERIAL	A (mm)	M <sub>max</sub> (kNm)	KG/PC.	PACKAGE	PROD. CODE
NKP-SNU/P 300	■ Rf	300	0,90	1,42	2	<b>88708200</b>
NKP-SNU/P 500	■ Rf	500	0,90	1,92	2	<b>88708201</b>
NKP-SNU/P 750	■ Rf	750	0,90	2,50	2	<b>88708202</b>
NKP-SNU/P 1000	■ Rf	1000	0,90	3,26	2	<b>88708203</b>
NKP-SNU/P 1500	■ Rf	1500	0,85	4,58	2	<b>88708204</b>
NKP-SNU/P 2000	■ Rf	2000	0,80	6,50	2	<b>88708205</b>
NKP-SNU/P 2500	■ Rf	2500	0,70	7,10	2	<b>88708207</b>
NKP-SNU/P 3000	■ Rf	3000	0,60	8,20	2	<b>88708206</b>

ITEM	MATERIAL	A (mm)	M <sub>max</sub> (kNm)	KG/PC.	PACKAGE	PROD. CODE
NKP-SNU/P 300	■ FeZn-H	300	0,90	1,56	2	<b>88708800</b>
NKP-SNU/P 500	■ FeZn-H	500	0,90	2,11	2	<b>88708801</b>
NKP-SNU/P 750	■ FeZn-H	750	0,90	2,75	2	<b>88708802</b>
NKP-SNU/P 1000	■ FeZn-H	1000	0,90	3,50	2	<b>88708803</b>
NKP-SNU/P 1500	■ FeZn-H	1500	0,85	5,04	2	<b>88708804</b>
NKP-SNU/P 2000	■ FeZn-H	2000	0,80	7,15	2	<b>88708805</b>
NKP-SNU/P 2500	■ FeZn-H	2500	0,70	7,81	2	<b>88708807</b>
NKP-SNU/P 3000	■ FeZn-H	3000	0,60	10,50	2	<b>88708806</b>

ITEM	MATERIAL	A (mm)	M <sub>max</sub> (kNm)	KG/PC.	PACKAGE	PROD. CODE
NKP-SNU/P 300	■ Rf*H4	300	0,90	1,42	2	<b>88709400*</b>
NKP-SNU/P 500	■ Rf*H4	500	0,90	1,92	2	<b>88709401*</b>
NKP-SNU/P 750	■ Rf*H4	750	0,90	2,50	2	<b>88709402*</b>
NKP-SNU/P 1000	■ Rf*H4	1000	0,90	3,26	2	<b>88709403*</b>
NKP-SNU/P 1500	■ Rf*H4	1500	0,85	4,58	2	<b>88709404*</b>
NKP-SNU/P 2000	■ Rf*H4	2000	0,80	6,50	2	<b>88709405*</b>
NKP-SNU/P 2500	■ Rf*H4	2500	0,70	7,10	2	<b>88709407</b>
NKP-SNU/P 3000	■ Rf*H4	3000	0,60	8,20	2	<b>88709406*</b>



\* upon request



### NKP-SNU/P1 Hanging bracket

The **NKP-SNU/P1** hanging bracket is designed for mounting cable trays to the ceiling. Adjustable to the ceiling plane. The bracket is fixed to the ceiling using four bolts on which the wall bracket (**NKP-SNT, NKP-SNTD**) is mounted as a support element of the cable tray and cable ladder. The use of fasteners for ceiling mounting depends on the type of wall material (concrete, brick, etc.). The recommended spacing between the brackets is determined on the basis of the load diagram.

ITEM	MATERIAL	A (mm)	M <sub>max</sub> (kNm)	PACKAGE	PROD. CODE
NKP-SNU/P1 300	■ FeZn	300	0,80	2	<b>88707341</b>
NKP-SNU/P1 500	■ FeZn	500	0,80	2	<b>88707342</b>
NKP-SNU/P1 750	■ FeZn	750	0,80	2	<b>88707343</b>
NKP-SNU/P1 1000	■ FeZn	1000	0,80	2	<b>88707344</b>
NKP-SNU/P1 1500	■ FeZn	1500	0,75	2	<b>88707345</b>
NKP-SNU/P1 2000	■ FeZn	2000	0,70	2	<b>88707346</b>
NKP-SNU/P1 3000	■ FeZn	3000	0,65	2	<b>88707347</b>



NKP  
BRACKETS



## NKP-UL/P Hanging bracket

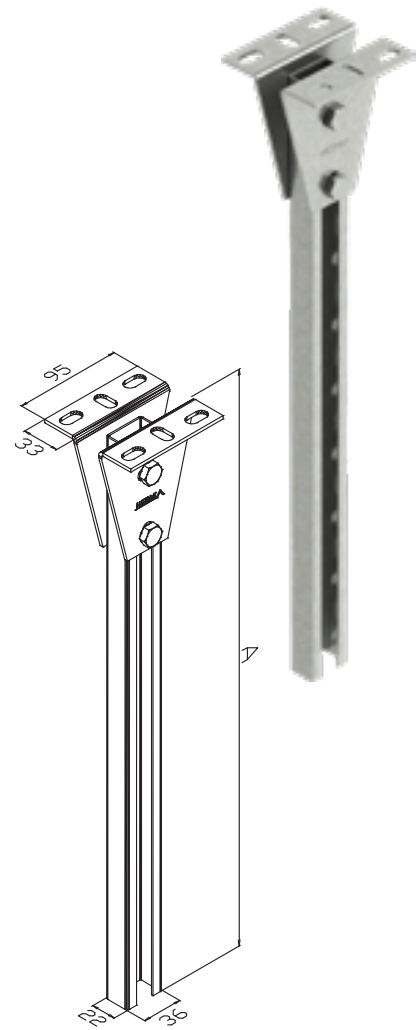
The **NKP-UL/P** hanging bracket is designed for mounting cable trays to the ceiling. The bracket is fixed to the ceiling using four bolts on which the wall bracket **NKP-SNT** is mounted as a support element of the cable tray. With the help of the **NKP-VE 02A** connecting element, the appropriate height for mounting the cable tray is adjusted. It is suitable for lightweight loads. The use of fasteners for ceiling mounting depends on the type of wall material (concrete, brick, etc.). The recommended spacing between the brackets is determined on the basis of the load diagram.

ITEM	MATERIAL	A (mm)	M <sub>max</sub> (kNm)	PACKAGE	PROD. CODE
NKP-UL/P 300	■ FeZn	300	0,25	2	<b>88707120</b>
NKP-UL/P 500	■ FeZn	500	0,25	2	<b>88707121</b>
NKP-UL/P 600	■ FeZn	600	0,25	2	<b>88707127</b>
NKP-UL/P 750	■ FeZn	750	0,25	2	<b>88707122</b>
NKP-UL/P 800	■ FeZn	800	0,25	2	<b>88707123</b>
NKP-UL/P 1000	■ FeZn	1000	0,25	2	<b>88707124</b>
NKP-UL/P 1200	■ FeZn	1200	0,25	2	<b>88707129</b>
NKP-UL/P 1500	■ FeZn	1500	0,25	2	<b>88707125</b>
NKP-UL/P 2000	■ FeZn	2000	0,25	2	<b>88707126</b>

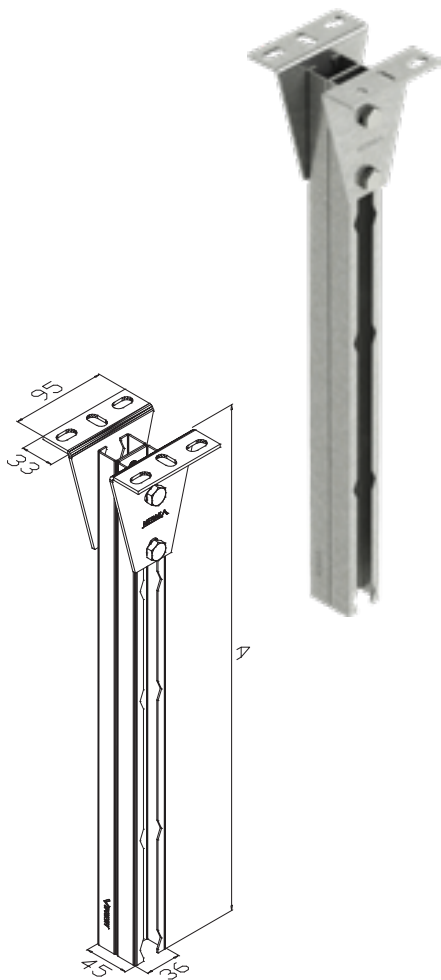
ITEM	MATERIAL	A (mm)	M <sub>max</sub> (kNm)	PACKAGE	PROD. CODE
NKP-UL/P 300	■ Rf	300	0,25	2	<b>88708220</b>
NKP-UL/P 500	■ Rf	500	0,25	2	<b>88708221</b>
NKP-UL/P 750	■ Rf	750	0,25	2	<b>88708222</b>
NKP-UL/P 800	■ Rf	800	0,25	2	<b>88708223</b>
NKP-UL/P 1000	■ Rf	1000	0,25	2	<b>88708224</b>
NKP-UL/P 1500	■ Rf	1500	0,25	2	<b>88708225</b>
NKP-UL/P 2000	■ Rf	2000	0,25	2	<b>88708226</b>

ITEM	MATERIAL	A (mm)	M <sub>max</sub> (kNm)	PACKAGE	PROD. CODE
NKP-UL/P 300	■ FeZn-H	300	0,25	2	<b>88718820</b>
NKP-UL/P 500	■ FeZn-H	500	0,25	2	<b>88718821</b>
NKP-UL/P 750	■ FeZn-H	750	0,25	2	<b>88718822</b>
NKP-UL/P 800	■ FeZn-H	800	0,25	2	<b>88718823</b>
NKP-UL/P 1000	■ FeZn-H	1000	0,25	2	<b>88718824</b>
NKP-UL/P 1500	■ FeZn-H	1500	0,25	2	<b>88718825</b>
NKP-UL/P 2000	■ FeZn-H	2000	0,25	2	<b>88718826</b>

ITEM	MATERIAL	A (mm)	M <sub>max</sub> (kNm)	PACKAGE	PROD. CODE
NKP-UL/P 300	■ Rf*H4	300	0,25	2	<b>88709420*</b>
NKP-UL/P 500	■ Rf*H4	500	0,25	2	<b>88709421*</b>
NKP-UL/P 750	■ Rf*H4	750	0,25	2	<b>88709422*</b>
NKP-UL/P 800	■ Rf*H4	800	0,25	2	<b>88709423*</b>
NKP-UL/P 1000	■ Rf*H4	1000	0,25	2	<b>88709424*</b>
NKP-UL/P 1500	■ Rf*H4	1500	0,25	2	<b>88709425*</b>
NKP-UL/P 2000	■ Rf*H4	2000	0,25	2	<b>88709426*</b>



\* upon request



### NKP-DUL/P Hanging bracket

The **NKP-DUL/P** hanging bracket is designed for mounting cable trays to the ceiling. The bracket is fixed to the ceiling using four bolts on which the wall bracket **NKP-SNT** is mounted as a support element of the cable tray. With the help of the **NKP-VE 02A** connecting element, the appropriate height for mounting the cable tray is adjusted. The use of fasteners for ceiling mounting depends on the type of wall material (concrete, brick, etc.). The recommended spacing between the brackets is determined on the basis of the load diagram.

ITEM	MATERIAL	A (mm)	M <sub>max</sub> (kNm)	PACKAGE	PROD. CODE
NKP-DUL/P 300	■ FeZn	300	0,25	2	<b>88707130</b>
NKP-DUL/P 500	■ FeZn	500	0,25	2	<b>88707131</b>
NKP-DUL/P 600	■ FeZn	600	0,25	2	<b>88707137</b>
NKP-DUL/P 750	■ FeZn	750	0,25	2	<b>88707132</b>
NKP-DUL/P 800	■ FeZn	800	0,25	2	<b>88707133</b>
NKP-DUL/P 1000	■ FeZn	1000	0,25	2	<b>88707134</b>
NKP-DUL/P 1200	■ FeZn	1200	0,25	2	<b>88707139</b>
NKP-DUL/P 1500	■ FeZn	1500	0,25	2	<b>88707135</b>
NKP-DUL/P 2000	■ FeZn	2000	0,25	2	<b>88707136</b>

ITEM	MATERIAL	A (mm)	M <sub>max</sub> (kNm)	PACKAGE	PROD. CODE
NKP-DUL/P 300	■ Rf	300	0,25	2	<b>88708230</b>
NKP-DUL/P 500	■ Rf	500	0,25	2	<b>88708231</b>
NKP-DUL/P 750	■ Rf	750	0,25	2	<b>88708232</b>
NKP-DUL/P 800	■ Rf	800	0,25	2	<b>88708233</b>
NKP-DUL/P 1000	■ Rf	1000	0,25	2	<b>88708234</b>
NKP-DUL/P 1500	■ Rf	1500	0,25	2	<b>88708235</b>
NKP-DUL/P 2000	■ Rf	2000	0,25	2	<b>88708236</b>

ITEM	MATERIAL	A (mm)	M <sub>max</sub> (kNm)	PACKAGE	PROD. CODE
NKP-DUL/P 300	■ FeZn-H	300	0,25	2	<b>88718830</b>
NKP-DUL/P 500	■ FeZn-H	500	0,25	2	<b>88718831</b>
NKP-DUL/P 750	■ FeZn-H	750	0,25	2	<b>88718832</b>
NKP-DUL/P 800	■ FeZn-H	800	0,25	2	<b>88718833</b>
NKP-DUL/P 1000	■ FeZn-H	1000	0,25	2	<b>88718834</b>
NKP-DUL/P 1500	■ FeZn-H	1500	0,25	2	<b>88718835</b>
NKP-DUL/P 2000	■ FeZn-H	2000	0,25	2	<b>88718836</b>

ITEM	MATERIAL	A (mm)	M <sub>max</sub> (kNm)	PACKAGE	PROD. CODE
NKP-DUL/P 300	■ Rf*H4	300	0,25	2	<b>88709430*</b>
NKP-DUL/P 500	■ Rf*H4	500	0,25	2	<b>88709431*</b>
NKP-DUL/P 750	■ Rf*H4	750	0,25	2	<b>88709432*</b>
NKP-DUL/P 800	■ Rf*H4	800	0,25	2	<b>88709433*</b>
NKP-DUL/P 1000	■ Rf*H4	1000	0,25	2	<b>88709434*</b>
NKP-DUL/P 1500	■ Rf*H4	1500	0,25	2	<b>88709435*</b>
NKP-DUL/P 2000	■ Rf*H4	2000	0,25	2	<b>88709436*</b>

\* upon request



## NKP-SNU Hanging bracket

The **NKP-SNU** hanging bracket is designed for mounting cable trays and cable ladders to the ceiling. The bracket is attached to the ceiling along with **NKP-SNP** (ceiling bracket fixing element). The wall brackets (**NKP-SNT, NKP-SNTD**) are bolted to the **NKP-SNU** bracket as the carrying elements of the cable tray and cable ladder. Since the fixing element on the bracket is not fixed, a longer **NKP-SNU** bracket, e.g. 2000 mm, can be used for two 1000 mm brackets (by cutting). The recommended spacing between brackets is defined based on the load diagram.

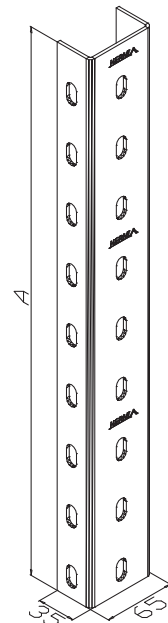
ITEM	MATERIAL	A (mm)	M <sub>max</sub> (kNm)	KG/PC.	PACKAGE	PROD. CODE
NKP-SNU 500	■ FeZn	500	1,95	1,30	2	<b>88704151</b>
NKP- SNU 1000	■ FeZn	1000	1,95	2,70	2	<b>88704153</b>
NKP- SNU 1500	■ FeZn	1500	1,85	4,00	2	<b>88704154</b>
NKP- SNU 2000	■ FeZn	2000	1,75	5,30	2	<b>88704155</b>
NKP- SNU 3000	■ FeZn	3000	1,30	7,70	2	<b>88704156</b>

ITEM	MATERIAL	A (mm)	M <sub>max</sub> (kNm)	KG/PC.	PACKAGE	PROD. CODE
NKP-SNU 500	■ Rf	500	1,95	1,30	2	<b>88704251</b>
NKP-SNU 750	■ Rf	750	1,95	2,00	2	<b>88704252</b>
NKP- SNU 1000	■ Rf	1000	1,95	2,70	2	<b>88704253</b>
NKP- SNU 1500	■ Rf	1500	1,85	4,00	2	<b>88704254</b>
NKP- SNU 2000	■ Rf	2000	1,75	5,50	2	<b>88704255</b>
NKP- SNU 3000	■ Rf	3000	1,30	7,70	2	<b>88704256</b>

ITEM	MATERIAL	A (mm)	M <sub>max</sub> (kNm)	KG/PC.	PACKAGE	PROD. CODE
NKP-SNU 500	■ FeZn-H	500	1,95	1,45	2	<b>88704651</b>
NKP- SNU 1000	■ FeZn-H	1000	1,95	2,91	2	<b>88704653</b>
NKP- SNU 1500	■ FeZn-H	1500	1,85	4,20	2	<b>88704654</b>
NKP- SNU 2000	■ FeZn-H	2000	1,75	5,80	2	<b>88704655</b>
NKP- SNU 3000	■ FeZn-H	3000	1,30	8,48	2	<b>88704656</b>

ITEM	MATERIAL	A (mm)	M <sub>max</sub> (kNm)	KG/PC.	PACKAGE	PROD. CODE
NKP-SNU 500	■ Rf*H4	500	1,95	1,30	2	<b>88704751*</b>
NKP- SNU 1000	■ Rf*H4	1000	1,95	2,70	2	<b>88704753*</b>
NKP- SNU 1500	■ Rf*H4	1500	1,85	4,00	2	<b>88704754*</b>
NKP- SNU 2000	■ Rf*H4	2000	1,75	5,30	2	<b>88704755*</b>
NKP- SNU 3000	■ Rf*H4	3000	1,30	7,70	2	<b>88704756*</b>

ITEM	MATERIAL	A (mm)	M <sub>max</sub> (kNm)	KG/PC.	PACKAGE	PROD. CODE
NKP-SNU 500	■ FeZn-PVC	500	1,95	1,45	2	<b>88704350*</b>
NKP- SNU 1000	■ FeZn-PVC	1000	1,95	2,91	2	<b>88704353*</b>
NKP- SNU 1500	■ FeZn-PVC	1500	1,85	4,20	2	<b>88704354*</b>
NKP- SNU 2000	■ FeZn-PVC	2000	1,75	5,80	2	<b>88704355*</b>
NKP- SNU 3000	■ FeZn-PVC	3000	1,30	8,48	2	<b>88704356*</b>





### PKP-FS SNU Fixed coupling element

Fixed coupling element is designed for joining **SNU** brackets. The mounting is carried out with **PPKP M10x25 (4x)** connection bolt and **PPKP M10 (4x)** flange nut. For making a joint, **2 pcs PKP-FS SNU** are required.

ITEM	MATERIAL	KG/PC.	PACKAGE	PROD. CODE
PKP-FS SNU	■ FeZn	0,26	50	<b>88701308</b>
PKP-FS SNU	■ Rf	0,26	50	<b>88702408</b>
PKP-FS SNU	■ FeZn-H	0,29	50	<b>88706808</b>



### ZP-VNV/SNU Protective caps

Protective caps are intended to cover the ends of supports or profiles of cable trays. It is made of plastic and gives a professional appearance. The protective caps are perfectly adapted to products of the HERMI® cable trays program and allows easy installation.

ITEM	MATERIAL	KG/PC.	PACKAGE	PROD. CODE
ZP-VNV/SNU	LDPE	0,01	50	<b>88706505</b>



### NKP-SNP Fixing element for the SNU ceiling bracket

The **NKP-SNP** ceiling bracket fixing element is used to mount the **NKP-SNU** bracket to the ceiling. The use of fasteners for ceiling mounting depends on the type of ceiling material (concrete, brick, etc.). Cutouts on the bracket enable a precise installation of the SNU bracket even if the surface of the ceiling is not entirely straight. To attach the bracket to the ceiling, two sets of **NKP-SNP** are required. One set also includes the fasteners (2x bolt + 2x nut). The recommended spacing between brackets is defined based on the load diagram.

ITEM	MATERIAL	KG/PC.	PACKAGE	PROD. CODE
NKP-SNP	■ FeZn	0,30	50	<b>88704157</b>
NKP-SNP	■ Rf	0,30	50	<b>88704257</b>
NKP-SNP	■ FeZn-H	0,33	50	<b>88704657</b>
NKP-SNP	■ Rf*H4	0,30	50	<b>88704757*</b>
NKP-SNP	■ FeZn-PVC	0,33	50	<b>88704357*</b>

\* upon request



### NKP-SNPN Adjustable fixing element for the SNU ceiling bracket

The **NKP-SNPN** ceiling bracket fixing element is used to mount the **NKP-SNU** bracket to the ceiling. The use of fasteners for ceiling mounting depends on the type of ceiling material (concrete, brick, etc.). Cutouts on the bracket enable a precise installation of the **SNU** bracket even if the surface of the ceiling is not entirely straight. To attach the bracket to the ceiling, two sets of **NKP-SNPN** are required. One set also includes the fasteners (2x bolt + 2x nut). The recommended spacing between brackets is defined based on the load diagram.

ITEM	MATERIAL	PACKAGE	PROD. CODE
NKP-SNPN	■ FeZn	1	<b>88707365</b>
NKP-SNPN	■ Rf	1	<b>88708365</b>
NKP-SNPN	■ FeZn-H	1	<b>88719065</b>
NKP-SNPN	■ Rf*H4	1	<b>88704759</b>



### NKP-VHP 50- Fixing element for the SNU ceiling bracket

The **NKP-VHP 50** ceiling bracket fixing element is used to mount the **NKP-SNU** bracket to the ceiling. The use of fasteners for ceiling mounting depends on the type of ceiling material (concrete, brick, etc.). Cutouts on the bracket enable a precise installation of the **SNU** bracket even if the surface of the ceiling is not entirely straight. To attach the bracket to the ceiling, two sets of **NKP-SNP** are required. One set also includes the fasteners (2x bolt + 2x nut). The recommended spacing between brackets is defined based on the load diagram.

ITEM	MATERIAL	KG/PC.	PACKAGE	PROD. CODE
NKP-VH 50-30	■ FeZn	0,44	50	<b>88707329</b>
NKP-VH 50-30	■ FeZn-H	0,48	50	<b>88719039</b>



### NKP-VTN Hanging trapeze bracket

The **NKP-VTN** hanging trapeze bracket is designed for mounting cable trays and cable ladders to the trapezoidal sheet ceiling. The bracket is mounted to the ceiling using an **M8X110** bolt and **M8** nut. The 50-300 mm wide cable tray is fixed using an **M8** threaded rod and **NKP-VN** bracket. The recommended spacing between the brackets is determined on the basis of the load diagram.

ITEM	MATERIAL	KG/PC.	PACKAGE	PROD. CODE
NKP-VTN	■ FeZn	0,16	80	<b>88707113</b>
NKP-VTN	■ Rf	0,16	80	<b>88708213</b>
NKP-VTN	■ FeZn-H	0,18	80	<b>88718813</b>
NKP-VTN	■ Rf*H4	0,16	80	<b>88709413*</b>
NKP-VTN	■ FeZn-PVC	0,18	80	<b>88703503*</b>



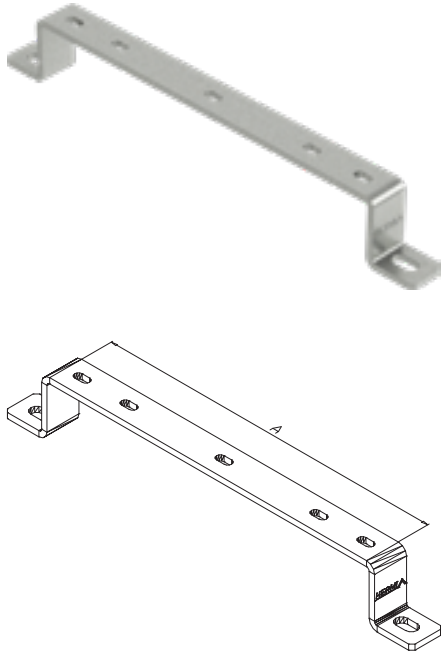
### NKP-VTN M10 Hanging trapeze bracket

The **NKP-VTN M10** hanging trapeze bracket is designed for mounting cable trays and cable ladders to the trapezoidal sheet ceiling. The bracket is mounted to the ceiling using an **M8X110** bolt and **M8** nut. The 50-300 mm wide cable tray is fixed using an **M10** threaded rod and **NKP-VN** bracket. The recommended spacing between the brackets is determined on the basis of the load diagram.

ITEM	MATERIAL	KG/PC.	PACKAGE	PROD. CODE
NKP-VTN M10	■ FeZn	0,17	80	<b>88707204</b>
NKP-VTN M10	■ Rf	0,17	80	<b>88708304</b>



\* upon request



### NKP-TN Floor bracket

The **NKP-TN** floor bracket is designed for mounting cable trays and ladders to the floor or wall as a distancing element. The use of fasteners for mounting depends on the type of ceiling material (concrete, brick, etc.). The recommended spacing between brackets is defined based on the load diagram.

ITEM	MATERIAL	A (mm)	KG/PC.	PACKAGE	PROD. CODE
NKP-TN 50	■ FeZn	50	0,22	80	<b>88704130</b>
NKP-TN 100	■ FeZn	100	0,27	40	<b>88704131</b>
NKP-TN 200	■ FeZn	200	0,37	25	<b>88704132</b>
NKP-TN 300	■ FeZn	300	0,51	25	<b>88704133</b>
NKP-TN 400	■ FeZn	400	0,61	20	<b>88704134</b>
NKP-TN 500	■ FeZn	500	0,74	20	<b>88704135</b>
NKP-TN 600	■ FeZn	600	0,86	20	<b>88704136</b>

ITEM	MATERIAL	A (mm)	KG/PC.	PACKAGE	PROD. CODE
NKP-TN 50	■ Rf	50	0,12	80	<b>88704230</b>
NKP-TN 100	■ Rf	100	0,22	40	<b>88704231</b>
NKP-TN 200	■ Rf	200	0,30	25	<b>88704232</b>
NKP-TN 300	■ Rf	300	0,39	25	<b>88704233</b>
NKP-TN 400	■ Rf	400	0,49	20	<b>88704234</b>
NKP-TN 500	■ Rf	500	0,58	20	<b>88704235</b>
NKP-TN 600	■ Rf	600	0,67	20	<b>88704236</b>

ITEM	MATERIAL	A (mm)	KG/PC.	PACKAGE	PROD. CODE
NKP-TN 50	■ FeZn-H	50	0,24	80	<b>88704630</b>
NKP-TN 100	■ FeZn-H	100	0,28	40	<b>88704631</b>
NKP-TN 200	■ FeZn-H	200	0,40	25	<b>88704632</b>
NKP-TN 300	■ FeZn-H	300	0,56	25	<b>88704633</b>
NKP-TN 400	■ FeZn-H	400	0,67	20	<b>88704634</b>
NKP-TN 500	■ FeZn-H	500	0,81	20	<b>88704635</b>
NKP-TN 600	■ FeZn-H	600	0,94	20	<b>88704636</b>

ITEM	MATERIAL	A (mm)	KG/PC.	PACKAGE	PROD. CODE
NKP-TN 50	■ Rf*H4	50	0,12	80	<b>88704730*</b>
NKP-TN 100	■ Rf*H4	100	0,22	40	<b>88704731*</b>
NKP-TN 200	■ Rf*H4	200	0,30	25	<b>88704732*</b>
NKP-TN 300	■ Rf*H4	300	0,39	25	<b>88704733*</b>
NKP-TN 400	■ Rf*H4	400	0,49	20	<b>88704734*</b>
NKP-TN 500	■ Rf*H4	500	0,58	20	<b>88704735*</b>
NKP-TN 600	■ Rf*H4	600	0,67	20	<b>88704780*</b>

ITEM	MATERIAL	A (mm)	KG/PC.	PACKAGE	PROD. CODE
NKP-TN 50	■ FeZn-PVC	50	0,24	80	*
NKP-TN 100	■ FeZn-PVC	100	0,28	40	*
NKP-TN 200	■ FeZn-PVC	200	0,40	25	*
NKP-TN 300	■ FeZn-PVC	300	0,56	25	*
NKP-TN 400	■ FeZn-PVC	400	0,67	20	*
NKP-TN 500	■ FeZn-PVC	500	0,81	20	*
NKP-TN 600	■ FeZn-PVC	600	0,94	20	*

\* upon request





### NKP-NK Corner bracket

The **NKP-NK** corner bracket is designed for mounting cable trays and ladders to the floor or wall as a distancing element. Two brackets are required for mounting. The use of fasteners for ceiling mounting depends on the type of ceiling material (concrete, brick, etc.). The recommended spacing between brackets is defined based on the load diagram.

ITEM	MATERIAL	KG/PC.	PACKAGE	PROD. CODE
NKP-NK	■ FeZn	0,13	100	<b>88704139</b>
NKP-NK	■ Rf	0,13	100	<b>88704239</b>
NKP-NK	■ FeZn-H	0,14	100	<b>88704639</b>
NKP-NK	■ Rf*H4	0,13	100	<b>88704739*</b>
NKP-NK	■ FeZn-PVC	0,14	100	<b>88704339*</b>



### NKP-NKS Corner bracket

The **NKP-NKS** corner bracket is designed for mounting cable trays and ladders to the floor or wall as a distancing element. Two brackets are required for mounting. The use of fasteners for ceiling mounting depends on the type of ceiling material (concrete, brick, etc.). The recommended spacing between brackets is defined based on the load diagram.

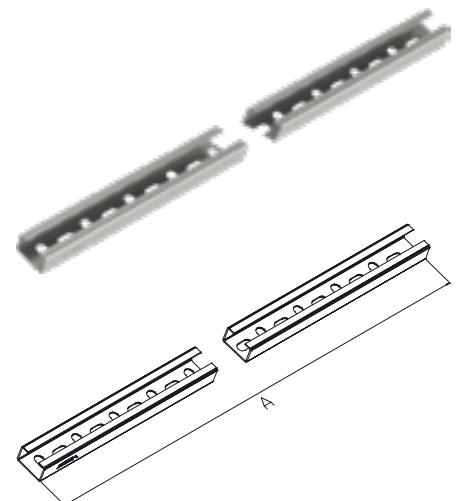
ITEM	MATERIAL	PACKAGE	PROD. CODE
NKP-NKS	■ FeZn	100	<b>88707190</b>
NKP-NKS	■ Rf	100	<b>88708290</b>
NKP-NKS	■ FeZn-H	100	<b>88718890</b>



### NKP-UL 24/35/2000 Profile

The **NKP-UL** load-bearing profile is designed for mounting cable trays and cable ladders to the ceiling. The use of fasteners for ceiling mounting depends on the type of ceiling material (concrete, brick, etc.). The **NKP-SNT** brackets are attached to the **NKP-UL** profile with the help of the **PKP-VE 02** or **PKP-VE 02A** connecting element, which enables the attachment of the **NKP-SNT** bracket at various heights. The advantage is emphasized when there are several parallel rows of cable trays – the exact setting of height, less drilling into the wall. The **NKP-UL** profile may also be used for other purposes, e.g. for mounting shelves to steel profiles, mounting lights etc.

ITEM	MATERIAL	A (mm)	KG/PC.	PACKAGE	PROD. CODE
NKP-PL 24/35/	■ FeZn	2000	2,00	6	<b>88704173</b>
NKP-PL 24/35/	■ Rf	2000	2,00	6	<b>88704273</b>
NKP-PL 24/35/	■ FeZn-H	2000	2,10	6	<b>88704673</b>
NKP-PL 24/35/	■ Rf*H4	2000	2,00	6	<b>88704773*</b>
NKP-PL 24/35/	■ FeZn-PVC	2000	2,10	6	<b>88704373*</b>



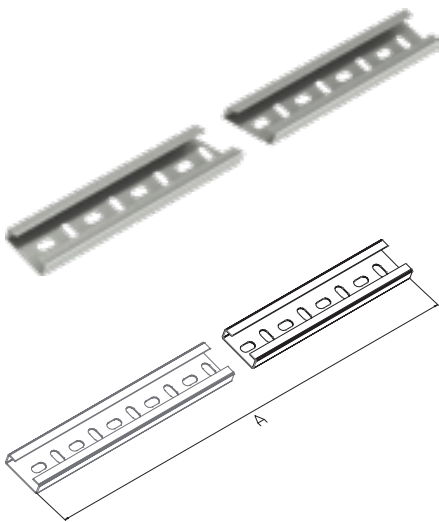
\* upon request



### PKP-FS UL Fixed coupling element

The mounting is carried out with **PPKP M6x12** (8x) connection bolts and **PPKP M6** (8x) flange nuts.

ITEM	MATERIAL	KG/PC.	PACKAGE	PROD. CODE
PKP-FS UL	■ FeZn	0,12	100	<b>88701301</b>
PKP-FS UL	■ Rf	0,12	100	<b>88702401</b>
PKP-FS UL	■ FeZn-H	0,13	100	<b>88706801</b>
PKP-FS UL	■ Rf*H4	0,12	100	<b>88717719*</b>
PKP-FS UL	■ FeZn-PVC	0,13	100	<b>88703501*</b>



### NKP-PL Perforated profile

The **NKP-PL** perforated profile is used in combination with other elements for mounting cable trays and cable ladders to the walls, ceilings or steel profiles. In combination with **PKL-OB** (cable clamp), cables can get attached to various surfaces. Together with threaded rods it can be used as a hanging bracket. The **NKP-PL** perforated profile can also be used for various other purposes.

ITEM	MATERIAL	A (mm)	KG/PC.	PACKAGE	PROD. CODE
NKP-PL 15/55/	■ FeZn	2000	1,42	10	<b>88704158</b>
NKP-PL 15/55/	■ Rf	2000	1,42	10	<b>88704258</b>
NKP-PL 15/55/	■ FeZn-H	2000	1,45	10	<b>88704658</b>
NKP-PL 15/55/	■ Rf*H4	2000	1,42	10	<b>88704758*</b>
NKP-PL 15/55/	■ FeZn-PVC	2000	1,45	10	<b>88704358*</b>



### PKP-FS PL Fixed coupling element

The mounting is carried out with **PPKP M6x12** (8x) connection bolts and **PPKP M6** (8x) flange nuts.

ITEM	MATERIAL	KG/PC.	PACKAGE	PROD. CODE
PKP-FS PL	■ FeZn	0,09	100	<b>88701300</b>
PKP-FS PL	■ Rf	0,09	100	<b>88702400</b>
PKP-FS PL	■ FeZn-H	0,10	100	<b>88706800</b>
PKP-FS PL	■ Rf*H4	0,09	100	<b>88717718*</b>
PKP-FS PL	■ FeZn-PVC	0,10	100	<b>88703500*</b>



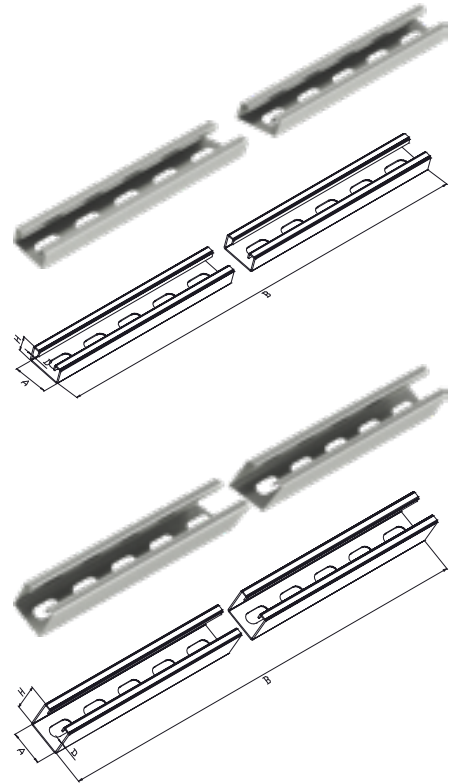
### NKP-C 41/21, NKP-C 41/41 Profile

The **NKP-C 41/21** and **NKP-C 41/41** profiles with the length of **3,0 m** are used in combination with other elements for mounting cable trays and cable ladders to the wall, ceiling and steel profiles. Together with threaded rods they can be used as a hanging bracket. Both profiles can be used for various other purposes as well. They are suitable for heavy-duty loads.

ITEM	MATERIAL	H (mm)	A (mm)	B (mm)	D (mm)	KG/PC.	PACKAGE	PROD. CODE
NKP-C 41/21	FeZn	21	41	3000	1,5	3,80	50	<b>88707115</b>
NKP-C 41/41	FeZn	41	41	3000	1,5	5,55	50	<b>88707116</b>

ITEM	MATERIAL	H (mm)	A (mm)	B (mm)	D (mm)	KG/PC.	PACKAGE	PROD. CODE
NKP-C 41/21	FeZn	21	41	3000	2,0	4,25	50	<b>88707207</b>
NKP-C 41/21	Rf	21	41	3000	2,0	4,25	50	<b>88708307</b>
NKP-C 41/41	Rf	41	41	3000	2,0	6,20	50	<b>88708306</b>
NKP-C 41/21	FeZn-H	21	41	3000	2,0	4,68	50	<b>88719014</b>

ITEM	MATERIAL	H (mm)	A (mm)	B (mm)	D (mm)	KG/PC.	PACKAGE	PROD. CODE
NKP-C 41/21	FeZn	21	41	3000	2,5		50	<b>88707208</b>
NKP-C 41/41	FeZn	41	41	3000	2,5		50	<b>88707206</b>
NKP-C 41/21	FeZn-H	21	41	3000	2,5		50	<b>88719015</b>
NKP-C 41/41	FeZn-H	41	41	3000	2,5		50	<b>88719013</b>



### ZP-41/21, ZP-41/41 Protective caps

Protective caps are intended to cover the ends of supports or profiles of cable trays. It is made of plastic and gives a professional appearance. The protective caps are perfectly adapted to products of the HERMI® cable trays program and allows easy installation.

ITEM	MATERIAL	H (mm)	A (mm)	KG/PC.	PACKAGE	PROD. CODE
ZP-41/21	LDPE	21	41	0,01	200	<b>88706504</b>
ZP-41/41	LDPE	41	41	0,01	100	<b>88706503</b>



### PKP-FS C External fixed coupling element

The mounting is carried out with **PPKP M10x25** (6x) connection bolt, **PPKP M10** (6x) nut and **PPKP M10** (6x) washer on the external side of profile.

ITEM	MATERIAL	KG/PC.	PACKAGE	PROD. CODE
PKP-FS C 41/21	FeZn	0,27	80	<b>88701302</b>
PKP-FS C 41/41	FeZn	0,41	50	<b>88701303</b>





### PKP-FSN C Internal fixed coupling element

The mounting is carried out with **PPKP M10x25 (6x)** connection bolt, **PPKP M10 (6x)** nut and **PPKP M10 (6x)** washer on the internal side of profile.

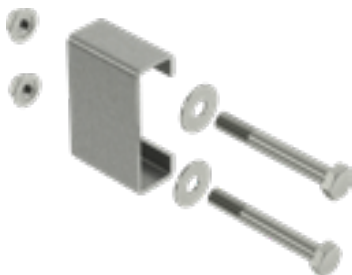
ITEM	MATERIAL	KG/PC.	PACKAGE	PROD. CODE
PKP-FSN C 41/21	■ FeZn	0,24	80	<b>88701305</b>
PKP-FSN C 41/41	■ FeZn	0,36	80	<b>88701306</b>



### PKL-KOB05 41 Cable clamp

The **PKL-KOB05 41** cable clamp is designed for the attachment of cables to **HERMI C** profiles. Using a **M6x50** bolt, which is a part of the clamp, the cable gets fixed onto the ladder. The **PKL-KOB05 41** cable clamp is suitable for cables with diameters of **10-28, 28-40, 40-52, 52-64** in **64-76** mm.

ITEM	MATERIAL	CABLE DIAMETER (mm)	KG/PC.	PACKAGE	PROD. CODE
PKL-KOB05 41 10-28	■ FeZn	10-28	0,08	50	<b>88712020</b>
PKL-KOB05 41 28-40	■ FeZn	28-40	0,09	100	<b>88712021</b>
PKL-KOB05 41 40-52	■ FeZn	40-52	0,11	100	<b>88712022</b>
PKL-KOB05 41 52-64	■ FeZn	52-64	0,12	50	<b>88712023</b>
PKL-KOB05 41 64-76	■ FeZn	64-76	0,14	50	<b>88712024</b>



### NKP-VE 01 Connecting element/spacer

The **NKP-VE 01** connecting element/spacer is designed to increase the bearing capacity of the **NKP-VNV** and **NKP-VNU** bracket and **NKP-SNT** wall bracket.

ITEM	MATERIAL	KG/PC.	PACKAGE	PROD. CODE
NKP-VE 01	■ FeZn	0,30	50	<b>88701224</b>
NKP-VE 01	■ Rf	0,30	50	<b>88702324</b>
NKP-VE 01	■ FeZn-H	0,33	50	<b>88706724</b>
NKP-VE 01	■ Rf*H4	0,30	50	<b>88704738*</b>
NKP-VE 01	■ FeZn-PVC	0,30	50	*

\* upon request



### NKP-VE 01 DH Connecting element

The **NKP-VE 01 DH** connecting element/spacer is designed to increase the bearing capacity of the **NKP-DH 40** and **NKP-DH 57** bracket and **NKP-SNT** wall bracket.

ITEM	MATERIAL	A (mm)	PACKAGE	PROD. CODE
NKP-VE 01 DH40	■ FeZn	40	50	<b>88707330</b>
NKP-VE 01 DH57	■ FeZn	57	50	<b>88707331</b>

ITEM	MATERIAL	A (mm)	PACKAGE	PROD. CODE
NKP-VE 01 DH40	■ FeZn-H	40	50	<b>88719010</b>
NKP-VE 01 DH57	■ FeZn-H	57	50	<b>88719011</b>



### NKP-VE 11D/OMEGA Connecting element

Connecting element **NKP-VE 11D/OMEGA** is designed for mounting the **NKP-SNL/OMEGA** wall bracket to the wall and the **NKP-VNU/OMEGA** ceiling bracket to the ceiling.

ITEM	MATERIAL	KG/PC.	PACKAGE	PROD. CODE
NKP-VE 11D/OMEGA	■ FeZn	0,03	150	<b>88707191</b>
NKP-VE 11D/OMEGA	■ Rf	0,03	100	<b>88708291</b>
NKP-VE 11D/OMEGA	■ FeZn-H		100	<b>88718891</b>



### NKP-VE 02 Connecting element for mounting SNT to NKP-UL

The **NKP-VE 02** connecting element is designed for mounting the wall bracket, e.g. **NKP-SNT**, to the **NKP-UL** load-bearing profile.

ITEM	MATERIAL	KG/PC.	PACKAGE	PROD. CODE
NKP-VE 02	■ FeZn	0,12	100	<b>88701223</b>
NKP-VE 02	■ Rf	0,12	100	<b>88702323</b>
NKP-VE 02	■ FeZn-H	0,13	100	<b>88706723</b>
NKP-VE 02	■ Rf*H4	0,12	100	<b>88704737*</b>



### NKP-VE 02A Connecting element

The **NKP-VE 02A** connecting element is designed for mounting the wall bracket, e.g. **NKP-SNT**, to the **NKP-UL** load-bearing profile, for mounting to the **NKP-UL/P** and **NKP-DUL/P** brackets.

ITEM	MATERIAL	KG/PC.	PACKAGE	PROD. CODE
NKP-VE 02A	■ FeZn	0,04	200	<b>88707114</b>
NKP-VE 02A	■ Rf	0,04	200	<b>88708214</b>
NKP-VE 02A	■ FeZn-H	0,04	200	<b>88718814</b>
NKP-VE 02A	■ Rf*H4	0,04	200	<b>88709414*</b>





### NKP-VE 10 Fastening element for joining to »I« profiles

The **NKP-VE 10** fastening element is designed for mounting cable trays and cable ladders to the "I" profile which is carried out with the help of the **NKP-UL** load-bearing profile or **NKP-PL** perforated profile.

ITEM	MATERIAL	KG/PC.	PACKAGE	PROD. CODE
NKP-VE 10	■ FeZn	0,07	120	<b>88701225</b>
NKP-VE 10	■ Rf	0,07	120	<b>88702325</b>
NKP-VE 10	■ FeZn-H	0,07	120	<b>88706725</b>
NKP-VE 10	■ Rf*H4	0,07	120	<b>88704736*</b>



### NKP-VE 10A Connecting element

Connecting element **NKP-VE 10 A** is designed for mounting cable ladders to **UL** profile and **C** profile.

ITEM	MATERIAL	PACKAGE	PROD. CODE
NKP-VE 10A	■ FeZn	120	<b>88707119</b>
NKP-VE 10A	■ Rf	120	<b>88708219</b>
NKP-VE 10A	■ FeZn-H	120	<b>88718819</b>
NKP-VE 10A	■ Rf*H4	120	<b>88709419</b>



### NKP-VE 10 HD Connecting element

The **NKP-VE 10 HD** fastening element is designed for mounting cable trays and cable ladders to the "I" profile which is carried out with the help of the **NKP-UL** load-bearing profile or **NKP-PL** perforated profile.

ITEM	MATERIAL	PACKAGE	PROD. CODE
NKP-VE 10 HD	■ FeZn	100	<b>88707203</b>
NKP-VE 10 HD	■ Rf	100	<b>88708303</b>
NKP-VE 10 HD	■ FeZn-H	100	<b>88718903</b>



### NKP-VE 11C Connecting element

The **NKP-VE 11C** connecting element is designed for mounting the wall bracket, e.g. **NKP-SNT**, to the **NKP-C 41/21** and **NKP-C 41/41** load-bearing profile.

ITEM	MATERIAL	PACKAGE	PROD. CODE
NKP-VE 11C	■ FeZn	200	<b>88707117</b>
NKP-VE 11C	■ Rf	200	<b>88708217</b>
NKP-VE 11C	■ FeZn-H	200	<b>88718817</b>
NKP-VE 11C	■ Rf*H4	200	<b>88709417*</b>



### NKP-VE 11C/OMEGA Connecting element

The **NKP-VE 11C/OMEGA** connecting element is designed for mounting the wall bracket, e.g. **NKP-SNL/OMEGA** to the **NKP-C 41/21** and **NKP-C 41/41** load-bearing profile.

ITEM	MATERIAL	PACKAGE	PROD. CODE
NKP-VE 11C/OMEGA	■ FeZn	100	<b>88707118</b>
NKP-VE 11C/OMEGA	■ Rf	100	<b>88708218</b>
NKP-VE 11C/OMEGA	■ FeZn-H	100	<b>88718818</b>
NKP-VE 11C/OMEGA	■ Rf*H4	100	<b>88709418</b>



### NKP-U Holder 41-M10

Clamping element for bi-lateral attachment of crossbars to steel beams, independent from the channel's opening. To be used in pairs. Length calculation = Beam/Girder flange thickness + min. 2 x 50 mm overhang. For safe use, the length of the profile extending beyond the end of the bracket must be at least 50 mm.

ITEM	MATERIAL	KG/PC.	PACKAGE	PROD. CODE
NKP-U Holder 41-M10	■ FeZn	0,41	20	<b>88707240</b>





### NKP-U Holder TCS 0 M8/M10

Heavy-duty connection element which, in combination with M10 bolt, is suitable for mounting to steel beams (I-, T-, U- and angle steel beams).

ITEM	MATERIAL	KG/PC.	PACKAGE	PROD. CODE
NKP-spona za nosilce TCS 0 M8/M10	■ FeZn	0,14	50	<b>88707241</b>



### NKP-Holding bracket B 41/10

Safety element for profiles to be used instead of simple washers. The Holding Bracket prevents the edges along the opening of the channels from bending and ensures optimum load distribution. When loads are imposing along the channels, holding bracket provides additional safety due to embossed teeth, which penetrate the profile. Special blanking guarantees high security and shear force after achieving form closure, especially for screwed through connecting elements.

ITEM	MATERIAL	KG/PC.	PACKAGE	PROD. CODE
NKP-Holding bracket B 41/10	■ FeZn	0,07	100	<b>88707242</b>



### NKP-T Head bolt HZ41 M10x55

For easier and adjustable mounting to profiles. When loads are imposing along the channels, holding bracket provides additional safety due to embossed teeth, which penetrate the profile.

ITEM	MATERIAL	KG/PC.	PACKAGE	PROD. CODE
NKP-T Head bolt HZ41 M10x55	■ FeZn	0,10	50	<b>88707243</b>





### NKP-Channel Nut C M10 41mm

When loads are imposing along the channels, holding bracket provides additional safety due to embossed teeth, which penetrate the profile. Suitable for all profiles of 41 mm width. No jamming when pushing. Possible combination with further system products. There is no settling behaviour after installation. For installation in vertical channels, we recommend the use of a speed nut with a spring.

ITEM	MATERIAL	KG/PC.	PACKAGE	PROD. CODE
NKP-Channel nut C M10 41mm	■ FeZn	0,03	50	<b>88707244</b>



### NKP-Speed Nut CC HZ41 M10-spring

Particularly useful when installing in vertical channels or in places of difficult access. Suitable for all profiles of 41 mm width. Mounting by exerting slight centric pressure on it without using tools. No jamming when pushing. Possible combination with further system products. There is no settling behaviour after installation.

ITEM	MATERIAL	KG/PC.	PACKAGE	PROD. CODE
NKP-Speed nut CC HZ41 M10-spring	■ FeZn	0,03	50	<b>88707245</b>



### NKP-ND Socket holder

The **NKP-ND** socket holder is designed for fixing the electrical socket to the **KP** cable trays. Mounting of the **NKP-ND** holder to the **KP** cable tray is carried out with **PPKP M6x12 (2x)** bolt and **PPKP M6 (2x)** flange nut. It is made of stainless steel or galvanised sheet metal, optionally powder painted in the desired colour.

ITEM	MATERIAL	KG/PC.	PACKAGE	PROD. CODE
NKP-ND	■ FeZn	0,07	100	<b>88707202</b>
NKP-ND	■ Rf	0,07	100	<b>88708302</b>
NKP-ND	■ FeZn-H	0,12	100	<b>88718902</b>





# PPKP

## MOUNTING ACCESSORIES FOR CABLE TRAYS AND LADDERS

The PPKP mounting accessories are intended to connect cable trays and cable ladders, attach cable ladders and trays to the brackets and the brackets to the wall or ceiling. With the use of fasteners, the installation of cable trays and ladders is quick and simple.



# PPKP Fasteners for cable trays, cable ladders and connecting elements

## PPKP - M6X12, PPKP-M6X20 and PPKP-M8X16 bolt

The **PPKP-M6X12**, **PPKP-M6X16**, **PPKP-M6X20** and **PPKP-M8X16** bolt, together with suitable flange nut are intended for the connection of cable trays and cable ladders, attachment of cable trays and cable ladders to the brackets and the connection of all connecting elements.

ITEM	MATERIAL	KG/PC.	PACKAGE	PROD. CODE
connecting bolt PPKP - M6X12	FeZn	0,01	100	<b>88705100</b>
connecting bolt PPKP - M6X12	Rf	0,01	100	<b>88706100</b>
connecting bolt PPKP - M6X12	Rf*H4	0,01	100	<b>88706400*</b>

ITEM	MATERIAL	KG/PC.	PACKAGE	PROD. CODE
connecting bolt PPKP - M6X20	FeZn	0,01	100	<b>88705133</b>
connecting bolt PPKP - M6X20	Rf	0,01	100	<b>88706133</b>
connecting bolt PPKP - M6X20	Rf*H4	0,01	100	<b>88706433*</b>

ITEM	MATERIAL	KG/PC.	PACKAGE	PROD. CODE
connecting bolt PPKP - M8X16	FeZn	0,01	100	<b>88705137</b>
connecting bolt PPKP - M8X16	Rf	0,01	100	<b>88706137</b>
connecting bolt PPKP - M8X16	Rf*H4	0,01	100	<b>88706437*</b>

ITEM	MATERIAL	KG/PC.	PACKAGE	PROD. CODE
connecting bolt PPKP - M10X25	FeZn	0,01	100	<b>88705141</b>
connecting bolt PPKP - M10X25	Rf	0,01	100	<b>88706141</b>
connecting bolt PPKP - M10X25	Rf*H4	0,01	100	<b>88706441*</b>



## PPKP-M8X16, PPKP-M8X25 and PPKP-M10X25 bolt

The **PPKP-M8X16**, **PPKP-M8X25** and **PPKP-M10X25** bolt, together with suitable nut and (wide) washer are designed for mounting **NKP** brackets, such as the **NKP-SNT** wall bracket to the **NKP-VNU** hanging bracket.

ITEM	MATERIAL	KG/PC.	PACKAGE	PROD. CODE
bolt PPKP - M8X16	FeZn	0,01	100	<b>88705107</b>
bolt PPKP - M8X16	Rf	0,01	100	<b>88706107</b>
bolt PPKP - M8X16	Rf*H4	0,01	100	<b>88706407*</b>

ITEM	MATERIAL	KG/PC.	PACKAGE	PROD. CODE
bolt PPKP - M8x25	FeZn	0,01	100	<b>88705128</b>
bolt PPKP - M8x25	Rf	0,01	100	<b>88706128</b>
bolt PPKP - M8x25	Rf*H4	0,01	100	<b>88706428*</b>

ITEM	MATERIAL	KG/PC.	PACKAGE	PROD. CODE
bolt PPKP - M10x25	FeZn	0,02	100	<b>88705108</b>
bolt PPKP - M10x25	Rf	0,02	100	<b>88706108</b>
bolt PPKP - M10x25	Rf*H4	0,02	100	<b>88706408*</b>



\* upon request

### PPKP-M6, PPKP-M8 and PPKP-M10 Flange nut

The **PPKP-M6**, **PPKP-M8** and **PPKP-M10** flange nuts, together with suitable connecting bolt are intended for the connection of cable trays and cable ladders, attachment of cable trays and cable ladders to the brackets and the connection of all connecting elements.



ITEM	MATERIAL	KG/PC.	PACKAGE	PROD. CODE
flange nut PPKP - M6	■ FeZn	0,01	100	<b>88705101</b>
flange nut PPKP - M6	■ Rf	0,01	100	<b>88706101</b>
flange nut PPKP - M6	■ Rf*H4	0,01	100	<b>88706401*</b>

ITEM	MATERIAL	KG/PC.	PACKAGE	PROD. CODE
flange nut PPKP - M8	■ FeZn	0,01	100	<b>88705112</b>
flange nut PPKP - M8	■ Rf	0,01	100	<b>88706112</b>
flange nut PPKP - M8	■ Rf*H4	0,01	100	<b>88706412*</b>

ITEM	MATERIAL	KG/PC.	PACKAGE	PROD. CODE
flange nut PPKP - M10	■ FeZn	0,01	500	<b>88705109</b>
flange nut PPKP - M10	■ Rf	0,01	100	<b>88706109</b>
flange nut PPKP - M10	■ Rf*H4	0,01	100	<b>88706409*</b>

### PPKP-M8 and PPKP-M10 nut

The **PPKP-M8** and **PPKP-M10** nuts, together with suitable bolt and (wide) washer are designed for mounting **NKP** brackets, such as the **NKP-SNT** wall bracket to the **NKP-VNU** hanging bracket.



ITEM	MATERIAL	KG/PC.	PACKAGE	PROD. CODE
nut PPKP - M8	■ FeZn	0,01	100	<b>88705127</b>
nut PPKP - M8	■ Rf	0,01	100	<b>88706127</b>
nut PPKP - M8	■ Rf*H4	0,01	100	<b>88706427*</b>

ITEM	MATERIAL	KG/PC.	PACKAGE	PROD. CODE
nut PPKP - M10	■ FeZn	0,01	100	<b>88705134</b>
nut PPKP - M10	■ Rf	0,01	100	<b>88706134</b>
nut PPKP - M10	■ Rf*H4	0,01	100	<b>88706434*</b>

### PPKP-M8x70 standing bolt

The **PPKP-M8x70** standing bolt, together with suitable wall anchor are designed for mounting **NKP** brackets to the walls or ceilings of a building for lighter loads. The appropriate fasteners depend on the base and load of cable trays and cable ladders.



ITEM	MATERIAL	KG/PC.	PACKAGE	PROD. CODE
standing bolt PPKP - M8X70	■ FeZn	0,04	100	<b>88705118</b>
standing bolt PPKP - M8X70	■ Rf	0,04	100	<b>88706118</b>
standing bolt PPKP - M8X70	■ Rf*H4	0,04	100	<b>88706418*</b>



### PPKP-10/60 Wall anchor

The **PPKP-M10x70** standing bolt, **PPKP-10/60** wall anchor and **PPKP-M10** wide washer are designed for mounting NKP brackets to the walls or ceilings of a building for lighter loads. The appropriate fasteners depend on the base and load of cable trays and cable ladders.

ITEM	MATERIAL	KG/PC.	PACKAGE	PROD. CODE
wall anchor PPKP - 10/60	PVC	0,01	100	<b>88705203</b>



### PPKP-M10X70 standing bolt

The **PPKP-M10x70** standing bolt, **PPKP-12/60** wall anchor and **PPKP-M10** wide washer are designed for mounting NKP brackets to the walls or ceilings of a building for lighter loads. The appropriate fasteners depend on the base and load of cable trays and cable ladders.

ITEM	MATERIAL	KG/PC.	PACKAGE	PROD. CODE
standing bolt PPKP – M10X70	■ FeZn	0,04	50	<b>88705102</b>
standing bolt PPKP – M10X70	■ Rf	0,04	50	<b>88706102</b>
standing bolt PPKP – M10X70	■ Rf*H4	0,04	50	<b>88706402*</b>



### PPKP-12/60 wall anchor

The **PPKP-M10x70** standing bolt, **PPKP-12/60** wall anchor and **PPKP-M10** wide washer are designed for mounting NKP brackets to the walls or ceilings of a building for lighter loads. The appropriate fasteners depend on the base and load of cable trays and cable ladders.

ITEM	MATERIAL	KG/PC.	PACKAGE	PROD. CODE
wall anchor PPKP - 12/60	PVC	0,01	500	<b>88705200</b>



\* upon request



### PPKP-M8 and PPKP-M10 washer

The **PPKP-M8** and **PPKP-M10** wide washer, together with suitable **PPKP-M10x70** standing bolt and **PPKP-12/60** wall anchor washer are designed for mounting **NKP** brackets to the walls or ceilings of a building for lighter loads. Wide washer, together with suitable standing bolt and nut are designed for mounting **NKP** brackets, such as the **NKP-SNT** wall bracket to the **NKP-VNU** hanging bracket; or for fixing together - e.g. **NKP-C** profile. The appropriate fasteners depend on the base and load of cable trays and cable ladders.

ITEM	MATERIAL	KG/PC.	PACKAGE	PROD. CODE
wide washer PPKP – M8	■ FeZn	0,01	100	<b>88705113</b>
wide washer PPKP – M8	■ Rf	0,01	100	<b>88706113</b>
wide washer PPKP – M8	■ Rf*H4	0,01	100	<b>88706413*</b>

ITEM	MATERIAL	KG/PC.	PACKAGE	PROD. CODE
wide washer PPKP – M10	■ FeZn	0,01	100	<b>88705103</b>
wide washer PPKP – M10	■ Rf	0,01	100	<b>88706103</b>
wide washer PPKP – M10	■ Rf*H4	0,01	100	<b>88706403*</b>

ITEM	MATERIAL	KG/PC.	PACKAGE	PROD. CODE
washer PPKP – M10	■ FeZn	0,01	100	<b>88705129</b>
washer PPKP – M10	■ Rf	0,01	100	<b>88706129</b>
washer PPKP – M10	■ Rf*H4	0,01	100	<b>88706429*</b>



### PPKP-M8x60, PPKP-M10x75 anchor bolt

The **PPKP-M8x60**, **PPKP-M10x75** anchor bolt is designed for mounting **NKP** brackets to the walls or ceiling with a concrete basis of the building for heavier loads. The appropriate fasteners depend on the base and load of cable trays and cable ladders.

ITEM	MATERIAL	KG/PC.	PACKAGE	PROD. CODE
anchor bolt PPKP - M8x60	■ FeZn	0,03	200	<b>88705106</b>
anchor bolt PPKP - M8x60	■ Rf	0,03	200	<b>88706106</b>

ITEM	MATERIAL	KG/PC.	PACKAGE	PROD. CODE
anchor bolt PPKP – M10x75	■ FeZn	0,06	100	<b>88705110</b>
anchor bolt PPKP – M10x75	■ Rf	0,06	100	<b>88706110</b>
anchor bolt PPKP – M10x75	■ Rf*H4	0,06	100	<b>88706410*</b>



### PPKP-M8 and PPKP-M10 high nut

The **PPKP-M8** and **PPKP-M10** high nuts are designed for mounting **PPKP-M8** or **PPKP-M10** threaded rods to the **PPKP-M8x60** or **PPKP-M10x70** anchor bolts in the case of a hanging installation of the cable trays. They can also be used to extend threaded rods. The appropriate fasteners depend on the base and load of cable trays and cable ladders.

ITEM	MATERIAL	KG/PC.	PACKAGE	PROD. CODE
high nut PPKP - M8	■ FeZn	0,02	100	<b>88705104</b>
high nut PPKP - M8	■ Rf	0,02	100	<b>88706104</b>

ITEM	MATERIAL	KG/PC.	PACKAGE	PROD. CODE
high nut PPKP - M10	■ FeZn	0,02	50	<b>88705117</b>
high nut PPKP - M10	■ Rf	0,02	50	<b>88706117</b>



### PPKP-M6x..., PPKP-M8x..., PPKP-M10x... threaded rod

The **PPKP-M6**, **PPKP-M8** and **PPKP-M10** threaded rods with different lengths are together with the appropriate **PPKP-M8** and **PPKP-M10** high nut designed for mounting to anchor bolt **PPKP-M8X60** or **PPKP-M10X75** in case of hanging mounting of cable trays. The appropriate fasteners depend on the base and load of cable trays and cable ladders.

ITEM	MATERIAL	PACKAGE	PROD. CODE
threaded rod PPKP - M6x2000	■ FeZn	25	<b>88705124*</b>
threaded rod PPKP - M6x2000	■ Rf	25	<b>88706124*</b>

ITEM	MATERIAL	PACKAGE	PROD. CODE
threaded rod PPKP - M8x1000	■ FeZn	25	<b>88705105</b>
threaded rod PPKP - M8x1000	■ Rf	25	<b>88706105</b>
threaded rod PPKP - M8x1000	■ Rf*H4	25	<b>88706405*</b>

ITEM	MATERIAL	PACKAGE	PROD. CODE
threaded rod PPKP - M8x2000	■ FeZn	25	<b>88705123*</b>
threaded rod PPKP - M8x2000	■ Rf	25	<b>88706123*</b>

ITEM	MATERIAL	PACKAGE	PROD. CODE
threaded rod PPKP - M8x3000	■ FeZn	25	<b>88705125</b>
threaded rod PPKP - M8x3000	■ Rf	25	<b>88706125</b>

ITEM	MATERIAL	PACKAGE	PROD. CODE
threaded rod PPKP - M10x1000	■ FeZn	25	<b>88705114</b>
threaded rod PPKP - M10x1000	■ Rf	25	<b>88706114</b>
threaded rod PPKP - M10x1000	■ Rf*H4	25	<b>88706414*</b>

ITEM	MATERIAL	PACKAGE	PROD. CODE
threaded rod PPKP - M10x2000	■ FeZn	25	<b>88705122*</b>
threaded rod PPKP - M10x2000	■ Rf	25	<b>88706122*</b>

ITEM	MATERIAL	PACKAGE	PROD. CODE
threaded rod PPKP - M10x3000	■ FeZn	25	<b>88705126</b>
threaded rod PPKP - M10x3000	■ Rf	25	<b>88706126</b>



\* upon request



### PPKP – M8x60 bolt/hook

The **PPKP-M8x60** bolt/hook is together with the **NKP-VE02** connecting element, an appropriate chain and the **NKP-VN** hanging bracket suitable for the hanging installation of cable trays. The appropriate fasteners depend on the base and load of cable trays and cable ladders.

ITEM	MATERIAL	KG/PC.	PACKAGE	PROD. CODE
bolt/hook PPKP - M8x60	■ FeZn	0,04	100	<b>88705131</b>
bolt/hook PPKP - M8x60	■ Rf	0,04	100	<b>88706131</b>

ITEM	MATERIAL	KG/PC.	PACKAGE	PROD. CODE
bolt/hook with a nut PPKP - M8x60	■ FeZn	0,04	100	<b>88705130</b>
bolt/hook with a nut PPKP - M8x60	■ Rf	0,04	100	<b>88706130</b>



### PPKP – M8, PPKP – M10 anchor with internal thread

The **PPKP-M8** and **PPKP-M10** anchor with internal thread is designed for mounting **NKP** brackets to the wall or ceiling with a concrete basis of the building for lighter loads. The appropriate fasteners depend on the base and load of cable trays and cable ladders.

ITEM	MATERIAL	KG/PC.	PACKAGE	PROD. CODE
anchor with internal thread PPKP - M8	■ FeZn	0,02	100	<b>88705119</b>
anchor with internal thread PPKP - M8	■ Rf		100	<b>88706119</b>

ITEM	MATERIAL	KG/PC.	PACKAGE	PROD. CODE
anchor with internal thread PPKP – M10	■ FeZn	0,02	100	<b>88705115</b>
anchor with internal thread PPKP – M10	■ Rf	0,02	100	<b>88706115</b>

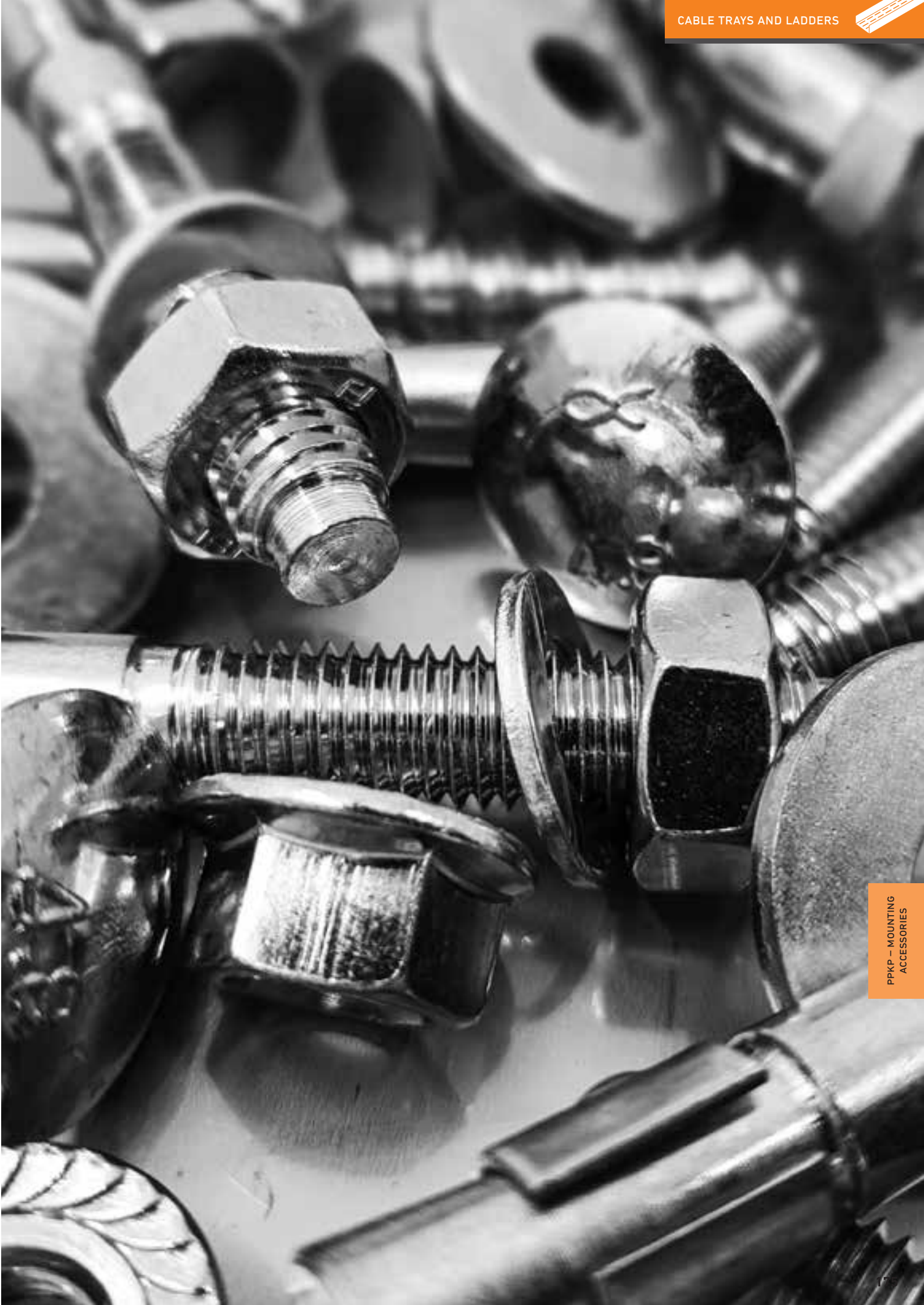


### ZP RT edge tape

The **RT** edge tape is designed for the protection of sharp edges of cable trays. It is used to prevent cable damage.

ITEM	MATERIAL	PACKAGE	PROD. CODE
edge tape ZP RT1	PVC / metal	10	<b>88705201</b>
edge tape ZP RT2	PVC / metal	10	<b>88705202</b>







E90

FIRE RESISTANT  
CABLE TRAYS AND LADDERS



## MATERIALS

Cable tray and cable ladder systems HERMI® are made of quality materials, which enable a lasting and quality construction of a cable route. The cable trays are made of quality galvanized sheet metal, which is subsequently perforated. These cable trays are appropriate for use indoors, in dry spaces.

### Legend:

LABEL	DESCRIPTION
■ FeZn	galvanized sheet metal
■ FeZn-H	hot galvanized sheet metal
■ Rf	stainless steel
■ Rf*H4	acid resistant stainless steel

## QUALITY

Along with the listed quality materials, which the cable tray and cable route systems HERMI® are made of, additional quality is ensured by a precise and through manufacture, as well as a creative and accomplished shape of the products. Quality products are planned along with connections, secured with the use of bolts and nuts, which are protected from unscrewing and, at the same time, ensure a suitable galvanic connection between elements themselves.

The quality of cable trays **HERMI E90** is proven with a successfully passed testing of fire resistance in a certified testing laboratory.

There is a possibility of production of other cable tray and ladder dimensions, as well as connecting and bearing elements, by individual order.

\* upon request

## INSTALLATION

Cable tray and cable ladder systems HERMI® enable a simple, quick and efficient placement of cable routes. Due to construction solutions, the connecting of cable trays is of high quality and fast, ensures a suitable galvanic connection, while the connection between the cable trays itself does not damage cables. The edges of the trays are curved in a way which reduces the chance of damage during installation to a minimum.

The cable tray covers are typical based and enable a quick and simple attachment with placement of the cover onto a tray alone. An accomplished system of grooves on the cable trays or ladders enables efficient cooling or air circulation, as well as a suitable support to the click system of cover attachment.

A broad range of typical bearing components allows the fixing of cable trays anywhere.



# CREATION OF FIRE RESISTANT CABLE PATHS

Safety is one of our primary concerns. We can only achieve a suitable level of safety by knowing the conditions in critical situations. This also holds true in the field of fire safety, where we must ensure the uninhibited operation of certain devices in case of a fire.

Thus the power supply of fire safety devices is ensured with the use and appropriate installation of fire resistant cables, as well as the use of a suitable fire protection for said cables. To achieve appropriate levels, we use the German standard **DIN 4102-12:1998: Brandverhalten von Baustoffen und Bauteilen - Teil 12: Funktionserhalt von elektrischen Kabelanlagen; Anforderungen und Prüfungen** as a reference. A common European EN standard for fire resistance of cable routes does not yet exist.

The German standard specifies the entire system of cable routes, accessories and cables, tested together in a test chamber for 30, 60 or 90 minutes at the temperatures around 1000°C. The test thus confirms, that a system ensures uninterrupted operation of the fire safety devices (emergency lighting, fans, fire escapes, fire alarms,...), as it takes actual fire conditions into consideration, both in terms of temperature, as well as mechanical load due to expansion from temperature and metal mass expansion from temperature. During the test, we thus constantly check, whether a short circuit or a break in supply has occurred. Thereby the cable route is placed in the test chamber in the same way as it will also be installed in practice.

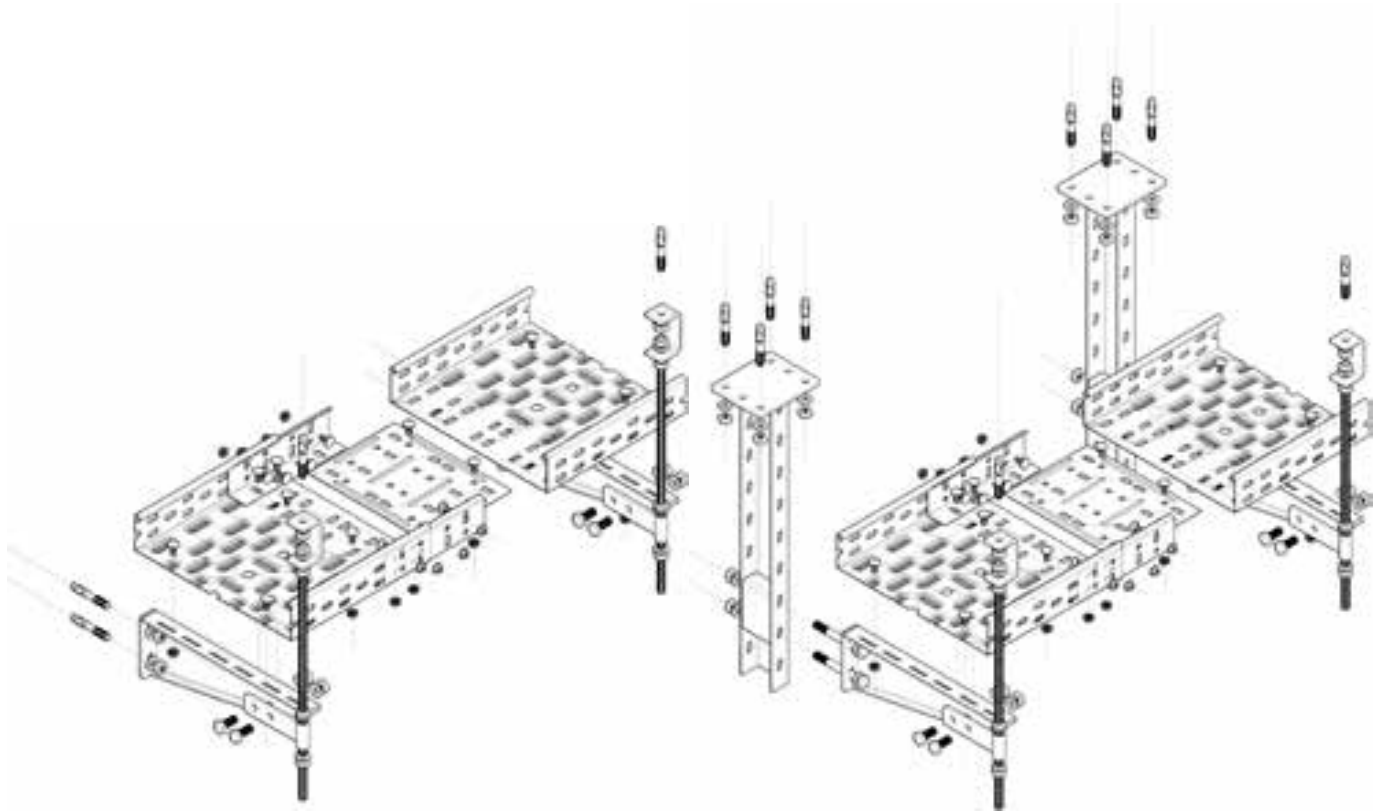


Testing of cable path system in the test chamber



Appearance of path route after completed testing in the test chamber

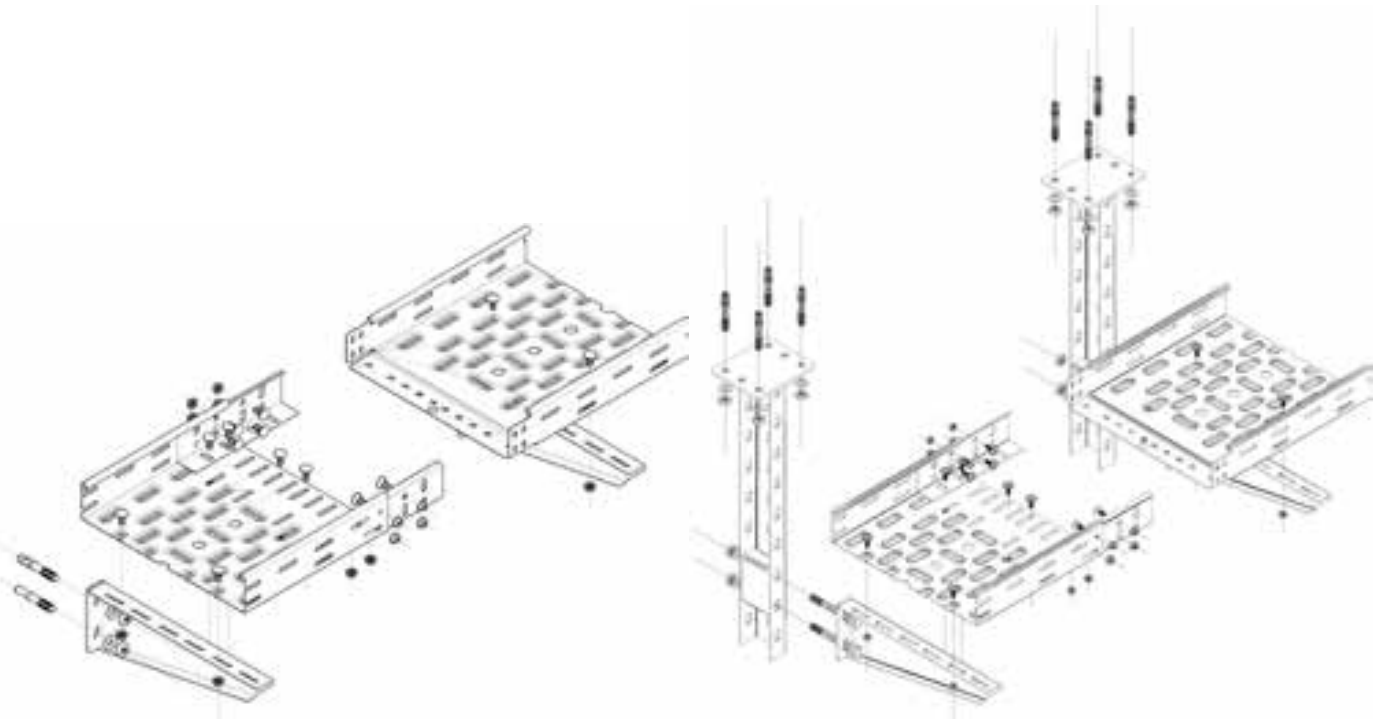
## Standard version of cable path E90 KP 60/... E90



Example of installation of the cable path KP 60/... E90 onto a wall

Example of installation of the cable path KP 60/... E90 onto a ceiling

## Light version of cable path E90 KP 60/... A E90



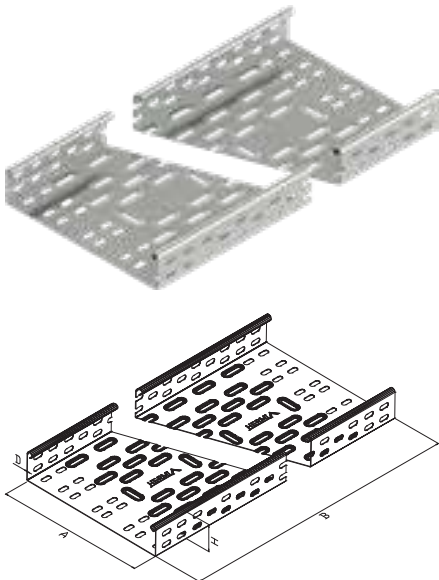
Example of installation of the cable path KP 60/... A E90 onto a wall

Example of installation of the cable path KP 60/... A E90 onto a ceiling

\* upon request

# KP Cable trays E90

Cable trays are intended for the assembly of fire resistant cable paths in case of surface laying of cables. The cable paths are created in a standard or light version.



## KP 60/- E90 Cable trays; L= 2000 mm; H= 60 mm;

Cable trays of a **60 mm** height, various widths 100, 200 or 300 mm, made of galvanized sheet metal, length of individual cable tray is **2.0 m**. The cable trays are attached to a wall or ceiling with suitable bearing components **NKP** compliant with installation instructions. Connection of cable trays is carried out with the use of appropriate connection elements, **PPKP M8x16** (8x) bolts, and a nut with flange **PPKP M8** (8x).

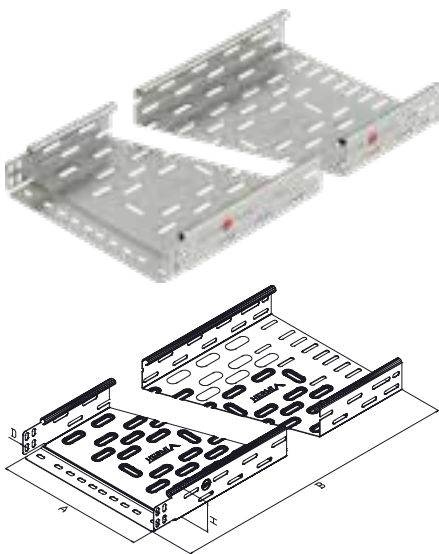
ITEM	MATERIAL	H (mm)	A (mm)	B (mm)	D (mm)	PACKAGE	PROD. CODE
KP 60/100 E90	■ FeZn	60	100	2000	0.8	6	<b>88800111</b>
KP 60/200 E90	■ FeZn	60	200	2000	1.0	4	<b>88800112</b>
KP 60/300 E90	■ FeZn	60	300	2000	1.0	2	<b>88800113</b>

ITEM	MATERIAL	H (mm)	A (mm)	B (mm)	D (mm)	PACKAGE	PROD. CODE
KP 60/100 E90	■ Rf	60	100	2000	0.8	6	<b>88800211</b>
KP 60/200 E90	■ Rf	60	200	2000	1.0	4	<b>88800212</b>
KP 60/300 E90	■ Rf	60	300	2000	1.0	2	<b>88800213</b>

ITEM	MATERIAL	H (mm)	A (mm)	B (mm)	D (mm)	PACKAGE	PROD. CODE
KP 60/100 E90	■ Rf*H4	60	100	2000	0.8	6	<b>88800411</b>
KP 60/200 E90	■ Rf*H4	60	200	2000	1.0	4	<b>88800412</b>
KP 60/300 E90	■ Rf*H4	60	300	2000	1.0	2	<b>88800413</b>

## KP 60/- A E90 Cable trays; L= 2000 mm; H= 60 mm;

Cable trays of a **60 mm** height, various widths 100, 200, 300 or 400 mm, made of galvanized sheet metal, length of individual cable tray is **2.0 m**. The cable trays are attached to a wall or ceiling with suitable bearing components **NKP** compliant with installation instructions. Connection of cable trays is carried out with the use of appropriate connection elements, **PPKP M6x12** bolts and a nut with flange **PPKP M6**.



ITEM	MATERIAL	H (mm)	A (mm)	B (mm)	D (mm)	KG/PC.	PACKAGE	PROD. CODE
KP 60/100-A E90	■ FeZn	60	100	2000	0.8	2,50	6	<b>88800161</b>
KP 60/200-A E90	■ FeZn	60	200	2000	0.8	3,90	4	<b>88800162</b>
KP 60/300-A E90	■ FeZn	60	300	2000	1.0	6,15	2	<b>88800163</b>
KP 60/400-A E90	■ FeZn	60	400	2000	1.0	8,50	2	<b>88800164</b>

ITEM	MATERIAL	H (mm)	A (mm)	B (mm)	D (mm)	KG/PC.	PACKAGE	PROD. CODE
KP 60/100-A E90	■ Rf	60	100	2000	0.8		6	<b>88800261</b>
KP 60/200-A E90	■ Rf	60	200	2000	0.8		4	<b>88800262</b>
KP 60/300-A E90	■ Rf	60	300	2000	1.0		2	<b>88800263</b>
KP 60/400-A E90	■ Rf	60	400	2000	1.0		2	<b>88800264</b>

ITEM	MATERIAL	H (mm)	A (mm)	B (mm)	D (mm)	KG/PC.	PACKAGE	PROD. CODE
KP 60/100-A E90	■ Rf*H4	60	100	2000	0.8		6	<b>88800461</b>
KP 60/200-A E90	■ Rf*H4	60	200	2000	0.8		4	<b>88800462</b>
KP 60/300-A E90	■ Rf*H4	60	300	2000	1.0		2	<b>88800463</b>
KP 60/400-A E90	■ Rf*H4	60	400	2000	1.0		2	<b>88800464</b>

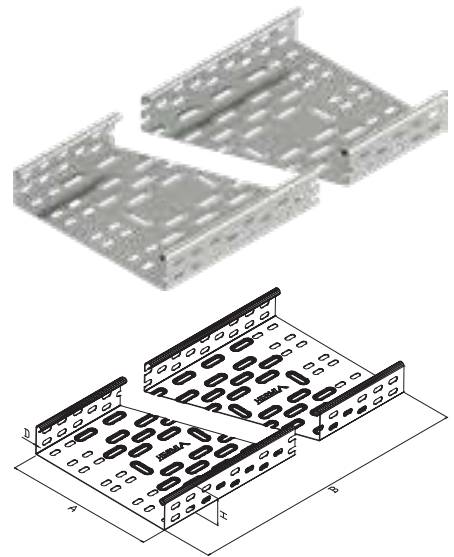


## >> KP Cable trays E90

### KP 60/- E90 Cable trays; L= 2500 mm; H= 60 mm;

Cable trays of a **60 mm** height, various widths 100, 200 or 300 mm, made of galvanized sheet metal, length of individual cable tray is **2.5 m**. The cable trays are attached to a wall or ceiling with suitable bearing components **NKP** compliant with installation instructions. Connection of cable trays is carried out with the use of appropriate connection elements, **PPKP M8x16** (8x) bolts, and a nut with flange **PPKP M8** (8x).

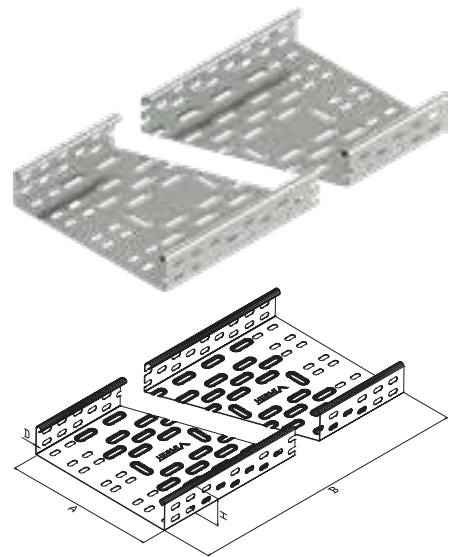
ITEM	MATERIAL	H (mm)	A (mm)	B (mm)	D (mm)	PACKAGE	PROD. CODE
KP 60/100 E90	■ FeZn	60	100	2500	0.8	4	<b>88800121</b>
KP 60/200 E90	■ FeZn	60	200	2500	1.0	4	<b>88800122</b>
KP 60/300 E90	■ FeZn	60	300	2500	1.0	2	<b>88800123</b>



### KP 60/- E90 Cable trays; L= 3000 mm; H= 60 mm;

Cable trays of a **60 mm** height, various widths 100, 200 or 300 mm, made of galvanized sheet metal, length of individual cable tray is **3.0 m**. The cable trays are attached to a wall or ceiling with suitable bearing components **NKP** compliant with installation instructions. Connection of cable trays is carried out with the use of appropriate connection elements, **PPKP M8x16** (8x) bolts, and a nut with flange **PPKP M8** (8x).

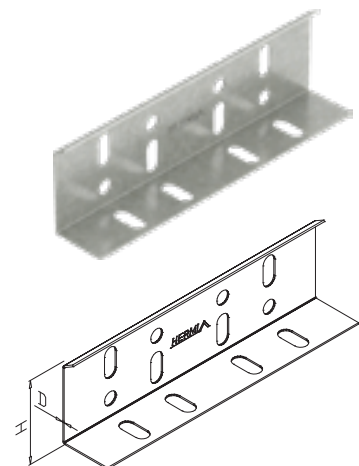
ITEM	MATERIAL	H (mm)	A (mm)	B (mm)	D (mm)	PACKAGE	PROD. CODE
KP 60/100 E90	■ FeZn	60	100	3000	0.8	4	<b>88800131</b>
KP 60/200 E90	■ FeZn	60	200	3000	1.0	2	<b>88800132</b>
KP 60/300 E90	■ FeZn	60	300	3000	1.0	2	<b>88800133</b>



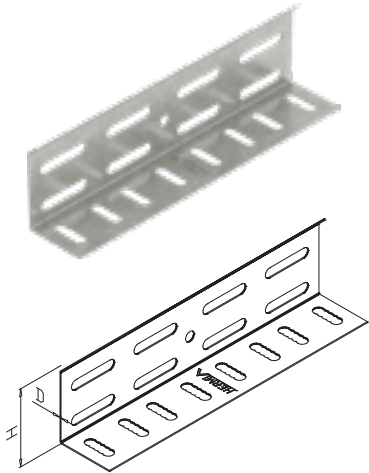
### PKP-FS E90 Fixed coupling element

Attachment is carried out with **PPKP M8x16** (8x) bolts and nut with flange **PPKP M8** (8x).

ITEM	MATERIAL	H (mm)	D (mm)	KG/PC.	PACKAGE	PROD. CODE
PKP-FS 60 E90	■ FeZn	60	1,0	0,12	100	<b>88801200</b>
PKP-FS 60 E90	■ Rf	60	1,0		100	<b>88801207</b>
PKP-FS 60 E90	■ Rf*H4	60	1,0		100	



## >> KP Cable trays E90



### PKP-FS A E90 Fixed coupling element

Attachment is carried out with **PPKP M6x12 (8x)** bolts and nut with flange **PPKP M6 (8x)**.

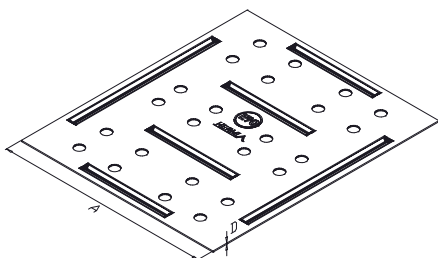
ITEM	MATERIAL	H (mm)	D (mm)	KG/PC.	PACKAGE	PROD. CODE
PKP-FS 60-A E90	■ FeZn	60	0,8	0,09	100	<b>88801201</b>
PKP-FS 60-A E90	■ Rf	60	0,8	0,09	100	
PKP-FS 60-A E90	■ Rf*H4	60	0,8		100	



### PKP-FSP Fixed connecting plate

Attachment is carried out with **PPKP M8x16** bolts and nut with flange **PPKP M8**. Used for standard version only. In case of the assembly of a light variation, the connecting plate is not used.

ITEM	MATERIAL	A (mm)	D (mm)	KG/PC.	PACKAGE	PROD. CODE
PKP-FSP 200 E90	■ FeZn	200	1,0	0,18	1	<b>88801212</b>
PKP-FSP 300 E90	■ FeZn	300	1,0	0,32	1	<b>88801213</b>



ITEM	MATERIAL	A (mm)	D (mm)	KG/PC.	PACKAGE	PROD. CODE
PKP-FSP 200 E90	■ Rf	200	1,0	0,18	1	<b>88801216</b>
PKP-FSP 300 E90	■ Rf	300	1,0	0,32	1	<b>88801217</b>

ITEM	MATERIAL	A (mm)	D (mm)	KG/PC.	PACKAGE	PROD. CODE
PKP-FSP 200 E90	■ Rf*H4	200	1,0		1	
PKP-FSP 300 E90	■ Rf*H4	300	1,0		1	

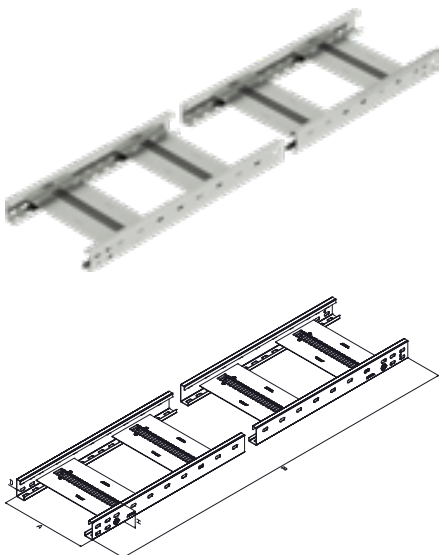




# KL Cable ladders E90

## KL CABLE LADDERS E90 – STANDARD

Cable ladders are intended for the assembly of standard version of fire resistant cable paths in case of surface laying of cables.



### KL 60/- E90 Cable ladders; L= 3000 mm; H= 60 mm

Cable ladders of **60 mm** in height and of various widths, made of galvanised sheet metal. The length of an individual cable ladder is **3,0 m**. Cable ladders are attached to the wall or ceiling with the suitable **NKP** brackets compliant with installation instructions. Connection of cable ladders is carried out with the use of appropriate connection elements, **PPKP M8x16** (8x) bolts and **PPKP M8** (8x) flange nuts.

ITEM	MATERIAL	H (mm)	A (mm)	B (mm)	D (mm)	KG/PC.	PACKAGE	PROD. CODE
KL 60/100 E90	■ FeZn	60	100	3000	1.5	8,75	2	<b>88803001</b>
KL 60/200 E90	■ FeZn	60	200	3000	1.5	13,00	2	<b>88803002</b>
KL 60/300 E90	■ FeZn	60	300	3000	1.5	16,00	2	<b>88803003</b>
KL 60/400 E90	■ FeZn	60	400	3000	1.5	20,00	2	<b>88803004</b>

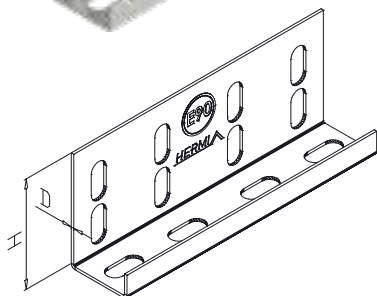
ITEM	MATERIAL	H (mm)	A (mm)	B (mm)	D (mm)	KG/PC.	PACKAGE	PROD. CODE
KL 60/100 E90	■ Rf	60	100	3000	1.5	8,75	2	<b>88803201</b>
KL 60/200 E90	■ Rf	60	200	3000	1.5	13,00	2	<b>88803202</b>
KL 60/300 E90	■ Rf	60	300	3000	1.5	16,00	2	<b>88803203</b>
KL 60/400 E90	■ Rf	60	400	3000	1.5	20,00	2	<b>88803204</b>



### PKL-FS Fixed coupling element

Attachment is carried out with **PPKP M8x16** (6x) bolts and nut with flange **PPKP M8** (6x).

ITEM	MATERIAL	H (mm)	D (mm)	KG/PC.	PACKAGE	PROD. CODE
PKL-FS 60 E90	■ FeZn	60	1,5	0,15	100	<b>88804001</b>
PKL-FS 60 E90	■ Rf	60	1,5	0,15	100	<b>88804201</b>





## >> KL Cable ladders E90

### KL CABLE LADDERS E90 – LIGHT

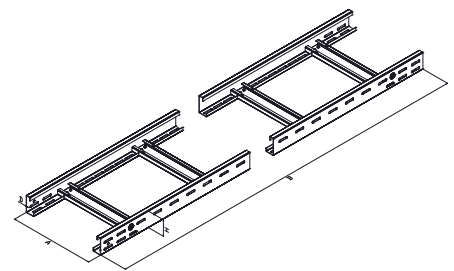
Cable ladders are intended for the assembly of light version of fire resistant cable paths in case of surface laying of cables.

#### KL 60/...-A E90 Cable ladders; L= 3000 mm; H= 60 mm

Cable ladders of **60 mm** in height and of various widths, made of galvanised sheet metal. The length of an individual cable ladder is **3,0 m**. Cable ladders are attached to the wall or ceiling with the suitable **NKP** brackets compliant with installation instructions. Connection of cable ladders is carried out with the use of appropriate connection elements, **PPKP M6x12 (8x)** bolts and **PPKP M6 (8x)** flange nuts.

ITEM	MATERIAL	H (mm)	A (mm)	B (mm)	D (mm)	PACKAGE	PROD. CODE
KL 60/100-A E90	■ FeZn	60	100	3000	1.5	2	<b>88803011</b>
KL 60/200-A E90	■ FeZn	60	200	3000	1.5	2	<b>88803012</b>
KL 60/300-A E90	■ FeZn	60	300	3000	1.5	2	<b>88803013</b>
KL 60/400-A E90	■ FeZn	60	400	3000	1.5	2	<b>88803014</b>

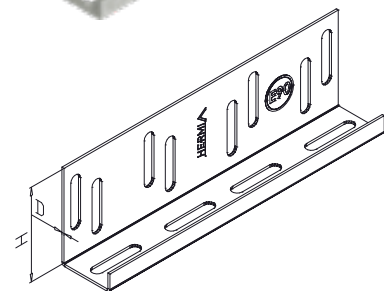
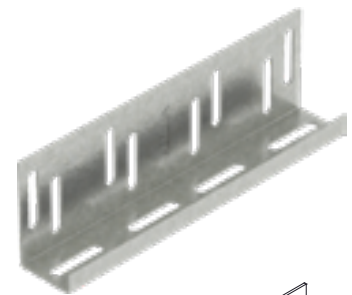
ITEM	MATERIAL	H (mm)	A (mm)	B (mm)	D (mm)	PACKAGE	PROD. CODE
KL 60/100-A E90	■ Rf	60	100	3000	1.5	2	<b>88803211</b>
KL 60/200-A E90	■ Rf	60	200	3000	1.5	2	<b>88803212</b>
KL 60/300-A E90	■ Rf	60	300	3000	1.5	2	<b>88803213</b>
KL 60/400-A E90	■ Rf	60	400	3000	1.5	2	<b>88803214</b>



#### PKL-FS Fixed coupling element

Attachment is carried out with **PPKP M6x12 (6x)** bolts and nut with flange **PPKP M6 (6x)**.

ITEM	MATERIAL	H (mm)	D (mm)	PACKAGE	PROD. CODE
PKL-FS 60-A E90	■ FeZn	60	1,5	100	<b>88804002</b>
PKL-FS 60-A E90	■ Rf	60	1,5	100	<b>88804202</b>



# NKP bearing elements

Bearing elements of fire resistant cable trays and cable ladders are intended for the attachment of cable routes to the wall or ceiling. The bearing elements are adapted to various widths of cable trays.

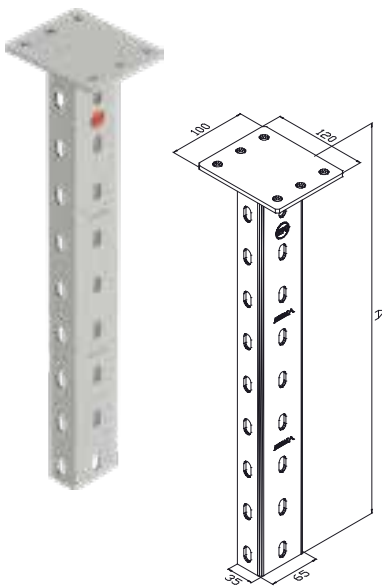


## NKP-SNV E90 Welded wall bracket

The welded wall support **NKP-SNV E90** is intended for the installation of cable trays and cable ladders onto a wall. The maximum distance between supports is 1200 mm or 1500 mm for the light cable route version.

ITEM	MATERIAL	A (mm)	KG/PC.	PACKAGE	PROD. CODE
NKP-SNV 110 E90	■ FeZn	110	0,30	80	<b>88802001</b>
NKP-SNV 210 E90	■ FeZn	210	0,57	40	<b>88802002</b>
NKP-SNV 310 E90	■ FeZn	310	0,80	20	<b>88802003</b>
NKP-SNV 410 E90	■ FeZn	410	1,03	20	<b>88802004</b>

ITEM	MATERIAL	A (mm)	KG/PC.	PACKAGE	PROD. CODE
NKP-SNV 110 E90	■ Rf	110	0,30	80	<b>88802201</b>
NKP-SNV 210 E90	■ Rf	210	0,57	40	<b>88802202</b>
NKP-SNV 310 E90	■ Rf	310	0,80	20	<b>88802203</b>
NKP-SNV 410 E90	■ Rf	410	1,03	20	<b>88802204</b>



## NKP-VNV E90 Welded hanging bracket

Welded hanging support **NKP-VNV E90** for the installation of cable trays onto the ceiling. The support is attached onto the ceiling with four screws, then the wall support (**NKP-SNV**) is attached to it as a carrying element of the cable tray. Maximum distance between supports is 1200 mm or 1500 mm for the light cable route version.

ITEM	MATERIAL	A (mm)	KG/PC.	PACKAGE	PROD. CODE
NKP-VNV 300 E90	■ FeZn	300	1,40	2	<b>88802010</b>
NKP-VNV 500 E90	■ FeZn	500	1,85	2	<b>88802011</b>
NKP-VNV 750 E90	■ FeZn	750	2,60	2	<b>88802012</b>
NKP-VNV 1000 E90	■ FeZn	1000	3,30	2	<b>88802013</b>
NKP-VNV 1500 E90	■ FeZn	1500	4,40	2	<b>88802014</b>
NKP-VNV 2000 E90	■ FeZn	2000	6,30	2	<b>88802015</b>

ITEM	MATERIAL	A (mm)	KG/PC.	PACKAGE	PROD. CODE
NKP-VNV 500 E90	■ Rf	500	1,79	2	<b>88802211</b>
NKP-VNV 750 E90	■ Rf	750	2,47	2	<b>88802212</b>
NKP-VNV 1000 E90	■ Rf	1000	3,30	2	<b>88802213</b>
NKP-VNV 1500 E90	■ Rf	1500	4,40	2	<b>88802214</b>
NKP-VNV 2000 E90	■ Rf	2000	6,30	2	<b>88802215</b>



## NKP-SD E90 Ceiling support

The ceiling support is intended for the attachment of the threaded pole to the anchoring screw.

ITEM	MATERIAL	KG/PC.	PACKAGE	PROD. CODE
NKP-SD E90	■ FeZn	0,14	50	<b>88802020</b>
NKP-SD E90	■ Rf	0,14	50	<b>88802220</b>



## >> NKP bearing elements

### NKP-DSNV E90 SNV support holder

The **SNV** support holder is intended for the connection between the SNT support and threaded pole.

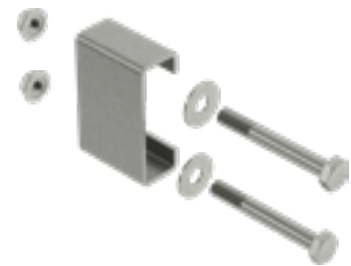
ITEM	MATERIAL	KG/PC.	PACKAGE	PROD. CODE
NKP-DSNV E90	■ FeZn	0,15	50	<b>88802021</b>
NKP-DSNV E90	■ Rf	0,15	50	<b>88802221</b>



### PKP-VE 01 E90 connecting / distancing element

The **NKP-VE 01** connecting element/spacer is designed to increase the bearing capacity of the **NKP-VNV** and **NKP-VNU** bracket and **NKP-SNT** wall bracket.

ITEM	MATERIAL	KG/PC.	PACKAGE	PROD. CODE
PKP-VE 01 E90	■ FeZn	0,30	50	<b>88701224</b>
PKP-VE 01 E90	■ Rf	0,30	50	<b>88702324</b>



### NKP-C 41/21 Profile

NKP-C 41/21 Profile is designed for mounting of cable paths together with threaded rods or GRIPPER system onto the ceiling.

ITEM	MATERIAL	H (mm)	A (mm)	B (mm)	D (mm)	KG/PC.	PACKAGE	PROD. CODE
NKP-C 41/21	■ FeZn	21	41	3000	1,5	3,80	50	<b>88707115</b>
NKP-C 41/21	■ Rf	21	41	3000	1,5	4,25	50	<b>88708307</b>



### NKP-PL E90 Fire-resistant perforated profile

The **NKP-PL** fire-resistant perforated profile is designed for mounting of cable paths with **PKB-KOB05 E90** cable clamp onto the ceiling or in case of vertical transition to the wall up to 3,5 m height.

Perforated profile of suitable length is attached on the fire-resistant ceiling with two **PPKP M8x80 E90** anchor bolts.

ITEM	MATERIAL	A (mm)	D (mm)	PROD. CODE
NKP-PL 200 E90	■ FeZn	200	1,5	<b>88802032</b>
NKP-PL 500 E90	■ FeZn	500	1,5	<b>88802035</b>

ITEM	MATERIAL	A (mm)	D (mm)	PROD. CODE
NKP-PL 200 E90	■ Rf	200	1,5	<b>88802232</b>
NKP-PL 500 E90	■ Rf	500	1,5	<b>88802235</b>



# PKB Fire-resistant cable clamps E90



## PKB-KOB01 E90 Fire-resistant cable clamp

Cable clamps for mounting of fire-resistant cables onto fire-resistant walls and ceiling. Cable clamps are mounted on the wall or ceiling with suitable **PPKP M6x50 E90** anchor bolt with obtained fire resistance certificate E90.

ITEM	MATERIAL	CABLE DIAMETER (mm)	D (mm)	PACKAGE	PROD. CODE
PKB-KOB01 Ø8 E90	■ FeZn	8	1,5	200	<b>88807000</b>
PKB-KOB01 Ø8-10 E90	■ FeZn	8-10	1,5	200	<b>88807001</b>
PKB-KOB01 Ø10-12 E90	■ FeZn	10-12	1,5	190	<b>88807002</b>
PKB-KOB01 Ø12-14 E90	■ FeZn	12-14	1,5	180	<b>88807003</b>
PKB-KOB01 Ø14-16 E90	■ FeZn	14-16	1,5	170	<b>88807004</b>
PKB-KOB01 Ø16-20 E90	■ FeZn	16-20	1,5	160	<b>88807005</b>
PKB-KOB01 Ø20-25 E90	■ FeZn	20-25	1,5	150	<b>88807006</b>

ITEM	MATERIAL	CABLE DIAMETER (mm)	D (mm)	PACKAGE	PROD. CODE
PKB-KOB01 Ø8 E90	■ Rf	8	1,5	200	<b>88807200</b>
PKB-KOB01 Ø8-10 E90	■ Rf	8-10	1,5	200	<b>88807201</b>
PKB-KOB01 Ø10-12 E90	■ Rf	10-12	1,5	190	<b>88807202</b>
PKB-KOB01 Ø12-14 E90	■ Rf	12-14	1,5	180	<b>88807203</b>
PKB-KOB01 Ø14-16 E90	■ Rf	14-16	1,5	170	<b>88807204</b>
PKB-KOB01 Ø16-20 E90	■ Rf	16-20	1,5	160	<b>88807205</b>
PKB-KOB01 Ø20-25 E90	■ Rf	20-25	1,5	150	<b>88807206</b>

ITEM	MATERIAL	CABLE DIAMETER (mm)	D (mm)	PACKAGE	PROD. CODE
PKB-KOB01 Ø8 E90	■ Rf*H4	8	1,5	200	<b>88807400</b>
PKB-KOB01 Ø8-10 E90	■ Rf*H4	8-10	1,5	200	<b>88807401</b>
PKB-KOB01 Ø10-12 E90	■ Rf*H4	10-12	1,5	190	<b>88807402</b>
PKB-KOB01 Ø12-14 E90	■ Rf*H4	12-14	1,5	180	<b>88807403</b>
PKB-KOB01 Ø14-16 E90	■ Rf*H4	14-16	1,5	170	<b>88807404</b>
PKB-KOB01 Ø16-20 E90	■ Rf*H4	16-20	1,5	160	<b>88807405</b>
PKB-KOB01 Ø20-25 E90	■ Rf*H4	20-25	1,5	150	<b>88807406</b>



## >> PKB Fire-resistant cable clamps E90

### PKB-KOB02 E90 Fire-resistant double cable clamp

Cable clamps for mounting of two parallel fire-resistant cables onto fire-resistant walls and ceiling. Cable clamps are mounted on the wall or ceiling with suitable

**PPKP M6x50 E90** anchor bolt with obtained fire resistance certificate E90.

ITEM	MATERIAL	CABLE DIAMETER (mm)	D (mm)	PACKAGE	PROD. CODE
PKB-KOB02 Ø8 E90	■ FeZn	8	1,5	200	<b>88807010</b>
PKB-KOB02 Ø8-10 E90	■ FeZn	8-10	1,5	200	<b>88807011</b>
PKB-KOB02 Ø10-12 E90	■ FeZn	10-12	1,5	190	<b>88807012</b>
PKB-KOB02 Ø12-14 E90	■ FeZn	12-14	1,5	180	<b>88807013</b>
PKB-KOB02 Ø14-16 E90	■ FeZn	14-16	1,5	170	<b>88807014</b>
PKB-KOB02 Ø16-20 E90	■ FeZn	16-20	1,5	160	<b>88807015</b>
PKB-KOB02 Ø20-25 E90	■ FeZn	20-25	1,5	150	<b>88807016</b>



ITEM	MATERIAL	CABLE DIAMETER (mm)	D (mm)	PACKAGE	PROD. CODE
PKB-KOB02 Ø8 E90	■ Rf	8	1,5	200	<b>88807210</b>
PKB-KOB02 Ø8-10 E90	■ Rf	8-10	1,5	200	<b>88807211</b>
PKB-KOB02 Ø10-12 E90	■ Rf	10-12	1,5	190	<b>88807212</b>
PKB-KOB02 Ø12-14 E90	■ Rf	12-14	1,5	180	<b>88807213</b>
PKB-KOB02 Ø14-16 E90	■ Rf	14-16	1,5	170	<b>88807214</b>
PKB-KOB02 Ø16-20 E90	■ Rf	16-20	1,5	160	<b>88807215</b>
PKB-KOB02 Ø20-25 E90	■ Rf	20-25	1,5	150	<b>88807216</b>

ITEM	MATERIAL	CABLE DIAMETER (mm)	D (mm)	PACKAGE	PROD. CODE
PKB-KOB02 Ø8 E90	■ Rf*H4	8	1,5	200	<b>88807410</b>
PKB-KOB02 Ø8-10 E90	■ Rf*H4	8-10	1,5	200	<b>88807411</b>
PKB-KOB02 Ø10-12 E90	■ Rf*H4	10-12	1,5	190	<b>88807412</b>
PKB-KOB02 Ø12-14 E90	■ Rf*H4	12-14	1,5	180	<b>88807413</b>
PKB-KOB02 Ø14-16 E90	■ Rf*H4	14-16	1,5	170	<b>88807414</b>
PKB-KOB02 Ø16-20 E90	■ Rf*H4	16-20	1,5	160	<b>88807415</b>
PKB-KOB02 Ø20-25 E90	■ Rf*H4	20-25	1,5	150	<b>88807416</b>

\* upon request

## >> PKB Fire-resistant cable clamps E90

### PKB-KOB03 E90 Fire-resistant cable clamp

Cable clamps for mounting of fire-resistant cables onto fire-resistant walls and ceiling. Cable clamps are mounted on the wall or ceiling with suitable **PPKP M6x50 E90** anchor bolt with obtained fire resistance certificate E90. Cable clamps are suitable for mounting of cables up to 16 mm in diameter.



ITEM	MATERIAL	CABLE DIAMETER (mm)	D (mm)	PACKAGE	PROD. CODE
PKB-KOB03 Ø8 E90	■ FeZn	8	1,5	100	<b>88807020</b>
PKB-KOB03 Ø8-10 E90	■ FeZn	8-10	1,5	100	<b>88807021</b>
PKB-KOB03 Ø10-12 E90	■ FeZn	10-12	1,5	100	<b>88807022</b>
PKB-KOB03 Ø12-14 E90	■ FeZn	12-14	1,5	100	<b>88807023</b>

ITEM	MATERIAL	CABLE DIAMETER (mm)	D (mm)	PACKAGE	PROD. CODE
PKB-KOB03 Ø8 E90	■ Rf	8	1,5	100	<b>88807220</b>
PKB-KOB03 Ø8-10 E90	■ Rf	8-10	1,5	100	<b>88807221</b>
PKB-KOB03 Ø10-12 E90	■ Rf	10-12	1,5	100	<b>88807222</b>
PKB-KOB03 Ø12-14 E90	■ Rf	12-14	1,5	100	<b>88807223</b>

ITEM	MATERIAL	CABLE DIAMETER (mm)	D (mm)	PACKAGE	PROD. CODE
PKB-KOB03 Ø8 E90	■ Rf*H4	8	1,5	100	<b>88807420</b>
PKB-KOB03 Ø8-10 E90	■ Rf*H4	8-10	1,5	100	<b>88807421</b>
PKB-KOB03 Ø10-12 E90	■ Rf*H4	10-12	1,5	100	<b>88807422</b>
PKB-KOB03 Ø12-14 E90	■ Rf*H4	12-14	1,5	100	<b>88807423</b>

### PKB-KOB05 E90 Fire-resistant cable clamp

Cable clamps for mounting of fire-resistant cables to **NKP-PL E90** perforated profiles. Cable clamp is inserted in the **NKP-PL E90** perforated profile together with cable. Using a bolt, which is a part of the clamp, the cable gets fixed onto the ladder. Cable clamps are suitable for cables with diameters of **10-28, 28-40, 40-52, 52-64** in **64-76** mm.



ITEM	MATERIAL	CABLE DIAMETER (mm)	D (mm)	PACKAGE	PROD. CODE
PKB-KOB05 Ø10-28 E90	■ FeZn	10-28	1,5	50	<b>88807040</b>
PKB-KOB05 Ø28-40 E90	■ FeZn	28-40	1,5	100	<b>88807041</b>
PKB-KOB05 Ø40-52 E90	■ FeZn	40-52	1,5	100	<b>88807042</b>
PKB-KOB05 Ø52-64 E90	■ FeZn	52-64	1,5	50	<b>88807043</b>
PKB-KOB05 Ø64-76 E90	■ FeZn	64-76	1,5	50	<b>88807044</b>

ITEM	MATERIAL	CABLE DIAMETER (mm)	D (mm)	PACKAGE	PROD. CODE
PKB-KOB05 Ø10-28 E90	■ Rf	10-28	1,5	50	<b>88807240</b>
PKB-KOB05 Ø28-40 E90	■ Rf	28-40	1,5	100	<b>88807241</b>
PKB-KOB05 Ø40-52 E90	■ Rf	40-52	1,5	100	<b>88807242</b>
PKB-KOB05 Ø52-64 E90	■ Rf	52-64	1,5	50	<b>88807243</b>
PKB-KOB05 Ø64-76 E90	■ Rf	64-76	1,5	50	<b>88807244</b>

ITEM	MATERIAL	CABLE DIAMETER (mm)	D (mm)	PACKAGE	PROD. CODE
PKB-KOB05 Ø10-28 E90	■ Rf*H4	10-28	1,5	50	<b>88807440</b>
PKB-KOB05 Ø28-40 E90	■ Rf*H4	28-40	1,5	100	<b>88807441</b>
PKB-KOB05 Ø40-52 E90	■ Rf*H4	40-52	1,5	100	<b>88807442</b>
PKB-KOB05 Ø52-64 E90	■ Rf*H4	52-64	1,5	50	<b>88807443</b>
PKB-KOB05 Ø64-76 E90	■ Rf*H4	64-76	1,5	50	<b>88807444</b>





# PPKP attachment accessories

Attachment accessories **PPKP** are intended for interconnection of cable trays, attachment of cable trays to bearing elements and attachment of bearing elements to the wall or ceiling. By using the attachment accessories, the installation of cable trays is quick and simple.

## PPKP THREADED FASTENERS FOR CABLE TRAYS, CABLE LADDERS AND INTERCONNECTING ELEMENTS



### PPKP – M6x12

The **PPKP-M6x12** bolt with nut **PPKP-M6** are intended for the interconnection of cable trays and cable ladders, attachment of cable trays to bearing elements and interconnection of all connecting elements.

ITEM	MATERIAL	KG/PC.	PACKAGE	PROD. CODE
connecting bolt PPKP – M6x12	■ FeZn	0,01	100	<b>88705100</b>
connecting bolt PPKP – M6x12	■ Rf	0,01	100	<b>88706100</b>
connecting bolt PPKP – M6x12	■ Rf*H4	0,01	100	<b>88706400</b>



### PPKP-M6

The **PPKP-M6**, **PPKP-M8** and **PPKP-M10** flange nuts, together with suitable connecting bolt are intended for the connection of cable trays and cable ladders, attachment of cable trays and cable ladders to the brackets and the connection of all connecting elements.

ITEM	MATERIAL	KG/PC.	PACKAGE	PROD. CODE
flange nut PPKP – M6	■ FeZn	0,01	100	<b>88705101</b>
flange nut PPKP – M6	■ Rf	0,01	100	<b>88706101</b>
flange nut PPKP – M6	■ Rf*H4	0,01	100	<b>88706401</b>



### PPKP – M8x16

The **PPKP-M8x16**, **PPKP-M8x25** and **PPKP-M10x25** bolt, together with suitable nut and (wide) washer are designed for mounting **NKP** brackets, such as the **NKP-SNT** wall bracket to the **NKP-VNU** hanging bracket.

ITEM	MATERIAL	KG/PC.	PACKAGE	PROD. CODE
bolt PPKP – M8x16	■ FeZn	0,01	100	<b>88705107</b>
bolt PPKP – M8x16	■ Rf	0,01	100	<b>88706107</b>
bolt PPKP – M8x16	■ Rf*H4	0,01	100	<b>88706407</b>



## >> PPKP attachment accessories

### PPKP-M8

The **PPKP-M6**, **PPKP-M8** and **PPKP-M10** flange nuts, together with suitable connecting bolt are intended for the connection of cable trays and cable ladders, attachment of cable trays and cable ladders to the brackets and the connection of all connecting elements.

ITEM	MATERIAL	KG/PC.	PACKAGE	PROD. CODE
flange nut PPKP – M8	■ FeZn	0,01	100	<b>88705112</b>
flange nut PPKP – M8	■ Rf	0,01	100	<b>88706112</b>
flange nut PPKP – M8	■ Rf*H4	0,01	100	<b>88706412</b>



### PPKP – M10x25

The **PPKP-M8X16**, **PPKP-M8X25** and **PPKP-M10X25** bolt, together with suitable nut and (wide) washer are designed for mounting **NKP** brackets, such as the **NKP-SNT** wall bracket to the **NKP-VNU** hanging bracket.

ITEM	MATERIAL	KG/PC.	PACKAGE	PROD. CODE
bolt PPKP – M10x25	■ FeZn	0,02	100	<b>88705108</b>
bolt PPKP – M10x25	■ Rf	0,02	100	<b>88706108</b>
bolt PPKP – M10x25	■ Rf*H4	0,02	100	<b>88706408</b>



### PPKP-M10

The **PPKP-M6**, **PPKP-M8** and **PPKP-M10** flange nuts, together with suitable connecting bolt are intended for the connection of cable trays and cable ladders, attachment of cable trays and cable ladders to the brackets and the connection of all connecting elements.

ITEM	MATERIAL	KG/PC.	PACKAGE	PROD. CODE
flange nut PPKP – M10	■ FeZn	0,01	500	<b>88705109</b>
flange nut PPKP – M10	■ Rf	0,01	100	<b>88706109</b>
flange nut PPKP – M10	■ Rf*H4	0,01	500	<b>88706409</b>



## >> PPKP attachment accessories

### PPKP THREADED FASTENERS FOR INTERCONNECTING ELEMENTS



#### PPKP – M6x50 E90

The **PPKP-M6x50 E90** anchor bolt is designed for mounting **NKP** brackets to the walls or ceiling with a concrete basis of the building for heavier loads. The appropriate fasteners depend on the base and load of cable trays and cable ladders.

ITEM	MATERIAL	PACKAGE	PROD. CODE
anchor bolt PPKP – M6x50 E90	■ FeZn	100	<b>88805112</b>
anchor bolt PPKP – M6x50 E90	■ Rf	100	<b>88806112</b>



#### PPKP – M8x75 E90

The **PPKP-M8x75 E90** anchor bolt is designed for mounting **NKP** brackets to the walls or ceiling with a concrete basis of the building for heavier loads. The appropriate fasteners depend on the base and load of cable trays and cable ladders.

ITEM	MATERIAL	PACKAGE	PROD. CODE
anchor bolt PPKP – M8x75 E90	■ FeZn	100	<b>88805114</b>
anchor bolt PPKP – M8x75 E90	■ Rf	100	<b>88806114</b>
anchor bolt PPKP – M8x75 E90	■ Rf*H4	100	<b>88806414</b>



#### PPKP – M10x100 E90

The **PPKP-M10x100 E90** anchor bolt is designed for mounting **NKP** brackets to the walls or ceiling with a concrete basis of the building for heavier loads. The appropriate fasteners depend on the base and load of cable trays and cable ladders.

ITEM	MATERIAL	KG/PC.	PACKAGE	PROD. CODE
anchor bolt PPKP – M10x100 E90	■ FeZn	0,07	100	<b>88805111</b>
anchor bolt PPKP – M10x100 E90	■ Rf		100	<b>88806111</b>



#### PPKP - M8

The **PPKP-M8** and **PPKP-M10** high nuts are designed for mounting **PPKP-M8** or **PPKP-M10** threaded rods to the **PPKP-M8x60** or **PPKP-M10x70** anchor bolts in the case of a hanging installation of the cable trays. They can also be used to extend threaded rods. The appropriate fasteners depend on the base and load of cable trays and cable ladders.

ITEM	MATERIAL	KG/PC.	PACKAGE	PROD. CODE
high nut PPKP - M8	■ FeZn	0,02	100	<b>88705104</b>
high nut PPKP - M8	■ Rf	0,02	100	<b>88706104</b>



## >> PPKP attachment accessories

### PPKP – M10

The **PPKP-M8** and **PPKP-M10** high nuts are designed for mounting **PPKP-M8** or **PPKP-M10** threaded rods to the **PPKP-M8x60** or **PPKP-M10x70** anchor bolts in the case of a hanging installation of the cable trays. They can also be used to extend threaded rods. The appropriate fasteners depend on the base and load of cable trays and cable ladders.

ITEM	MATERIAL	KG/PC.	PACKAGE	PROD. CODE
high nut PPKP – M10	■ FeZn	0,02	50	<b>88705117</b>
high nut PPKP – M10	■ Rf	0,02	50	<b>88706117</b>



### PPKP – M8x1000

The **PPKP-M6**, **PPKP-M8** and **PPKP-M10** threaded rods with different lengths are together with the appropriate **PPKP-M8** and **PPKP-M10** high nut designed for mounting to anchor bolt **PPKP-M8X60** or **PPKP-M10X75** in case of hanging mounting of cable trays. The appropriate fasteners depend on the base and load of cable trays and cable ladders.

ITEM	MATERIAL	KG/PC.	PACKAGE	PROD. CODE
threaded rod PPKP - M8x1000	■ FeZn	0,31	25	<b>88705105</b>
threaded rod PPKP - M8x1000	■ Rf	0,31	25	<b>88706105</b>

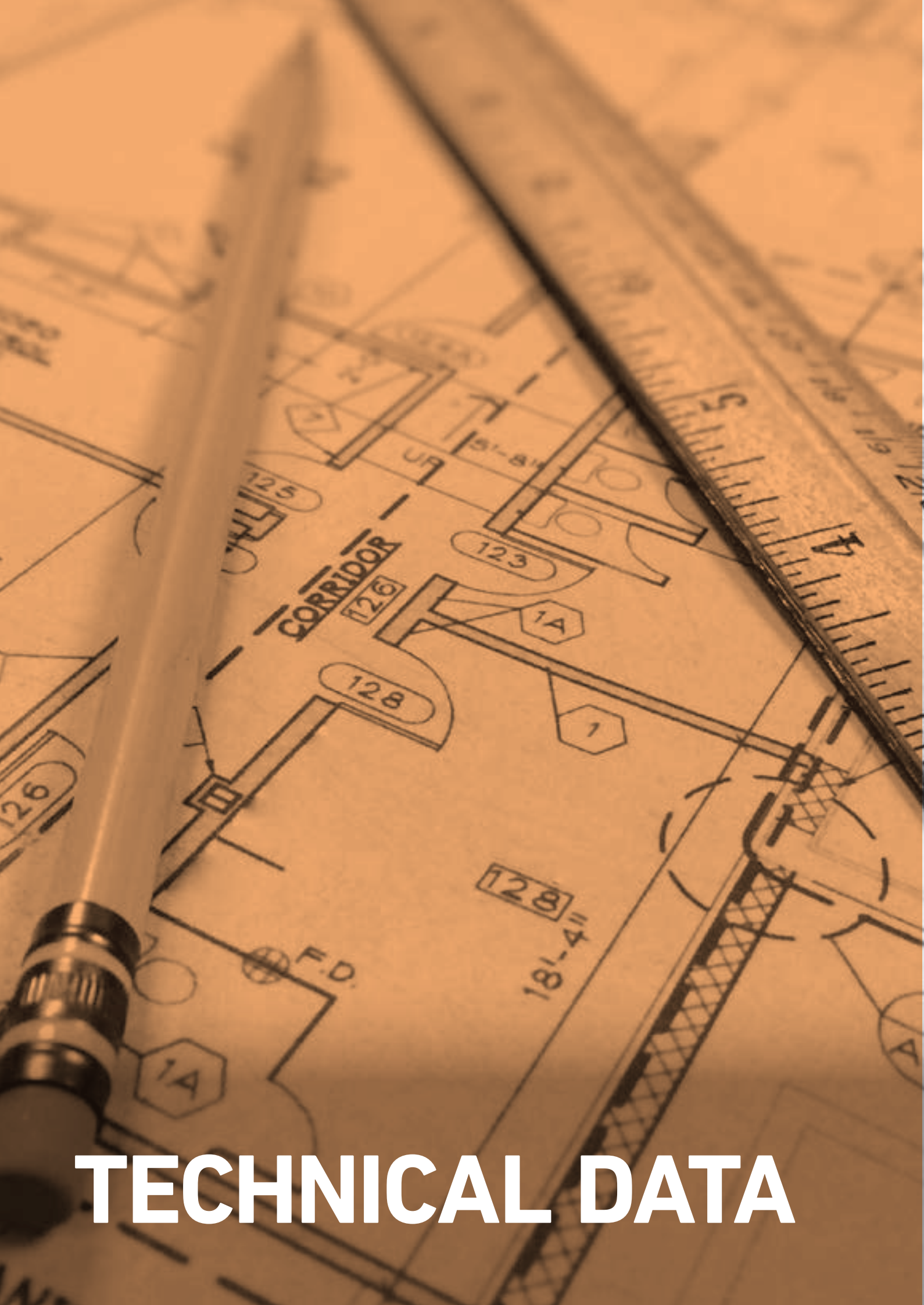


### PPKP – M10x1000

The **PPKP-M6**, **PPKP-M8** and **PPKP-M10** threaded rods with different lengths are together with the appropriate **PPKP-M8** and **PPKP-M10** high nut designed for mounting to anchor bolt **PPKP-M8X60** or **PPKP-M10X75** in case of hanging mounting of cable trays. The appropriate fasteners depend on the base and load of cable trays and cable ladders.

ITEM	MATERIAL	KG/PC.	PACKAGE	PROD. CODE
threaded rod PPKP – M10x1000	■ FeZn	0,31	25	<b>88705114</b>
threaded rod PPKP – M10x1000	■ Rf	0,31	25	<b>88706114</b>



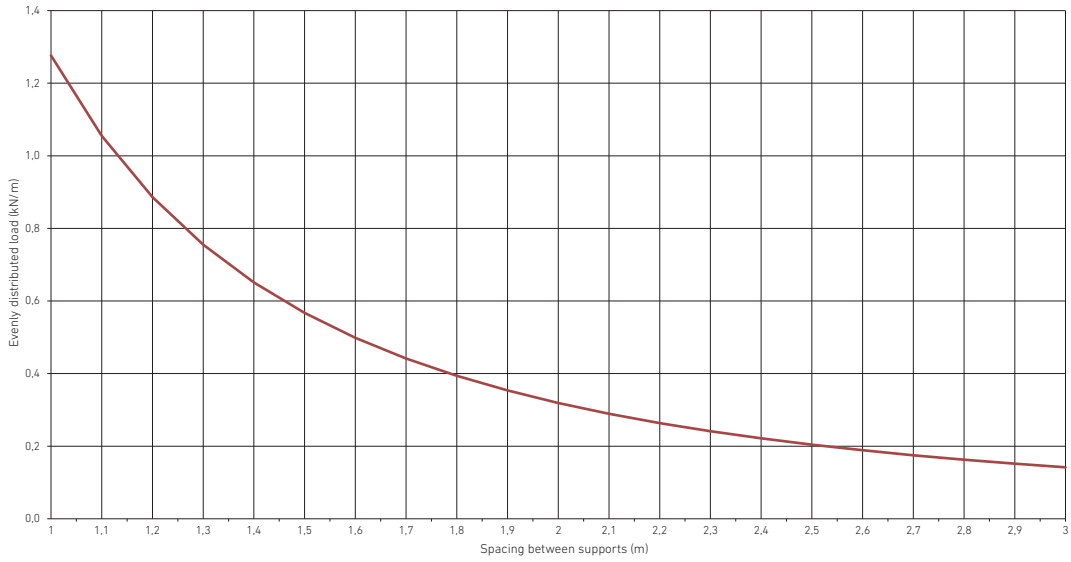


# TECHNICAL DATA



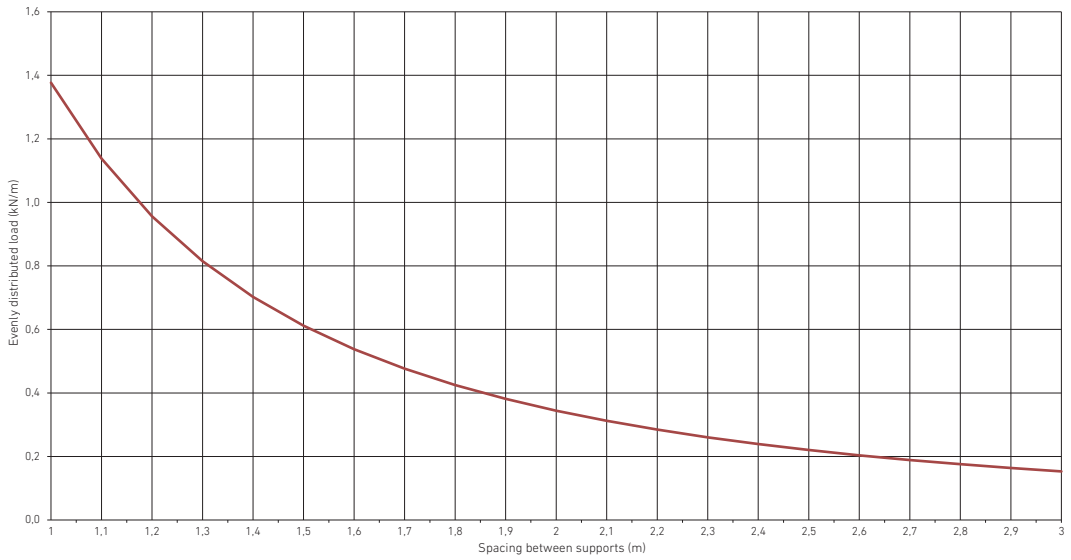
### Permissible load KP 40/100 (kN/m)

— KP 40/100 d=0,6mm



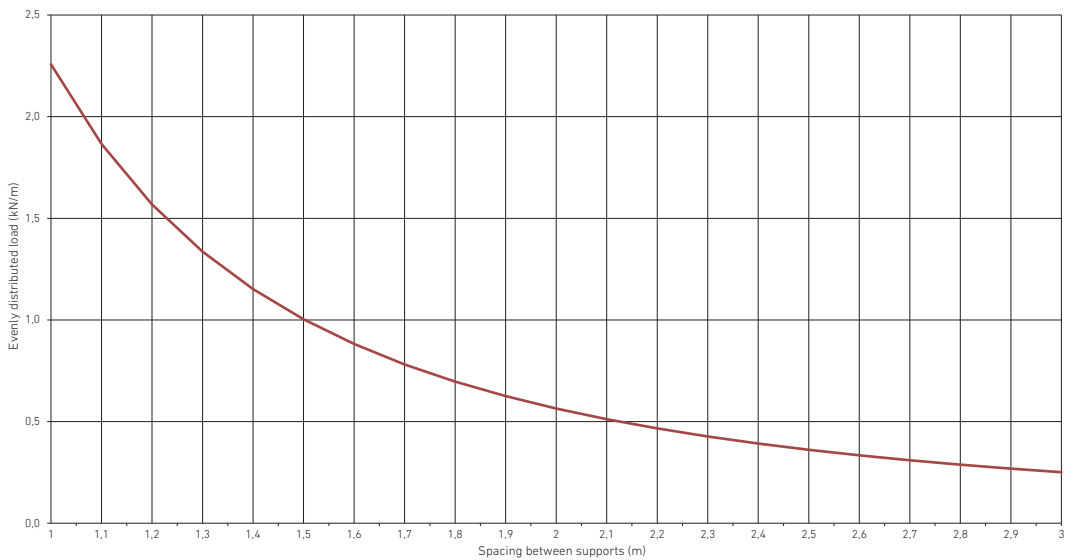
### Permissible load KP 40/200 (kN/m)

— KP 40/200 d=0,6mm



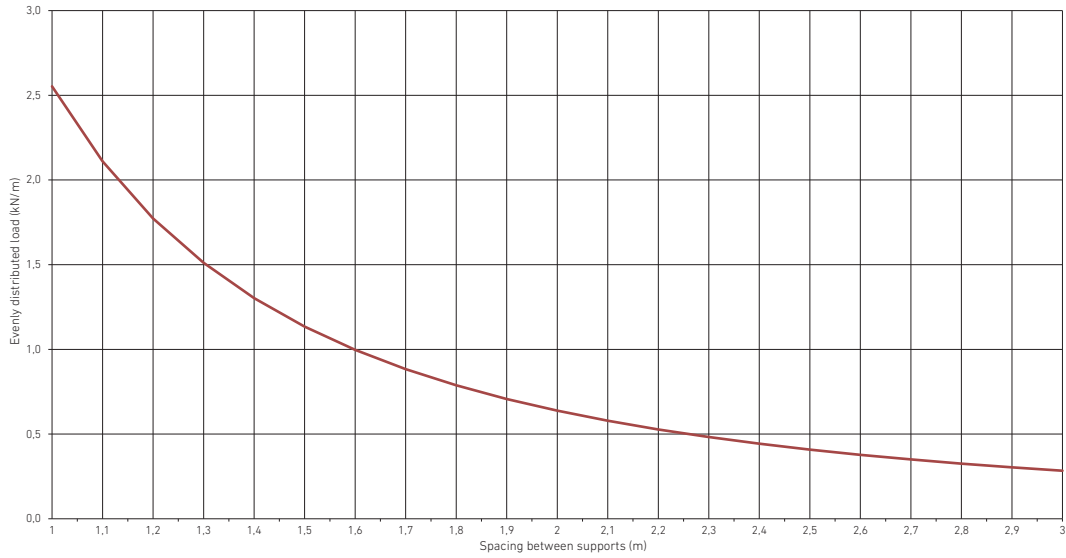
### Permissible load KP 40/300 (kN/m)

— KP 40/300 d=0,8mm



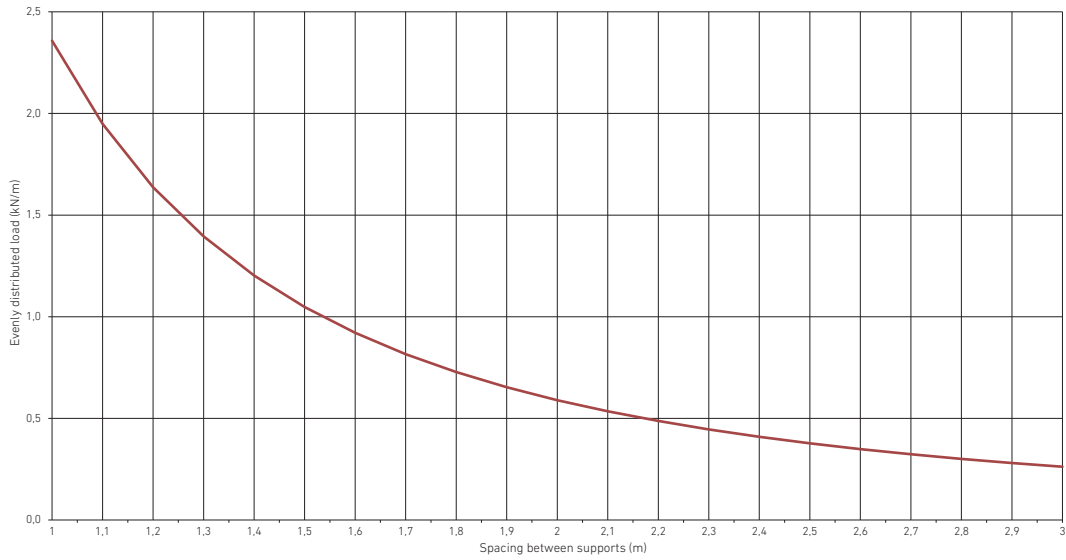
### Permissible load KP 40/400 (kN/m)

— KP 40/400 d=0,8mm



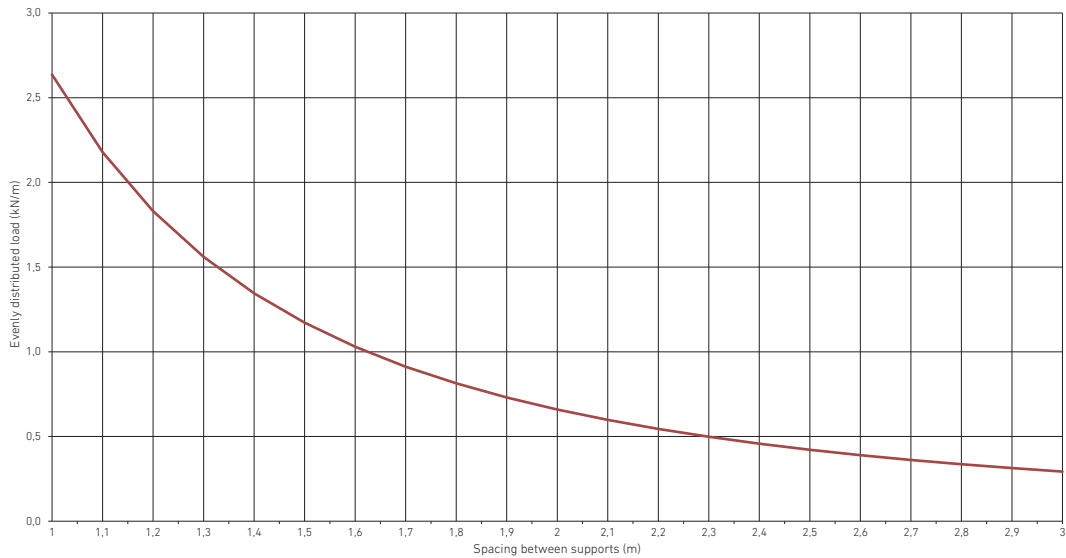
### Permissible load KP 40/500 (kN/m)

— KP 40/500 d=0,8mm



### Permissible load KP 40/600 (kN/m)

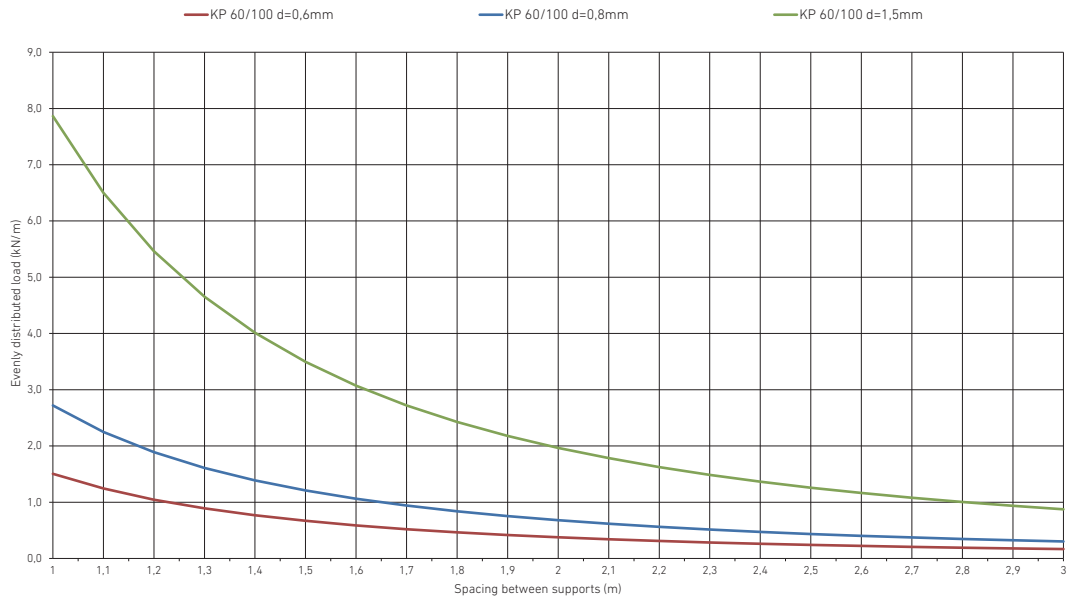
— KP 40/600 d=0,8 mm



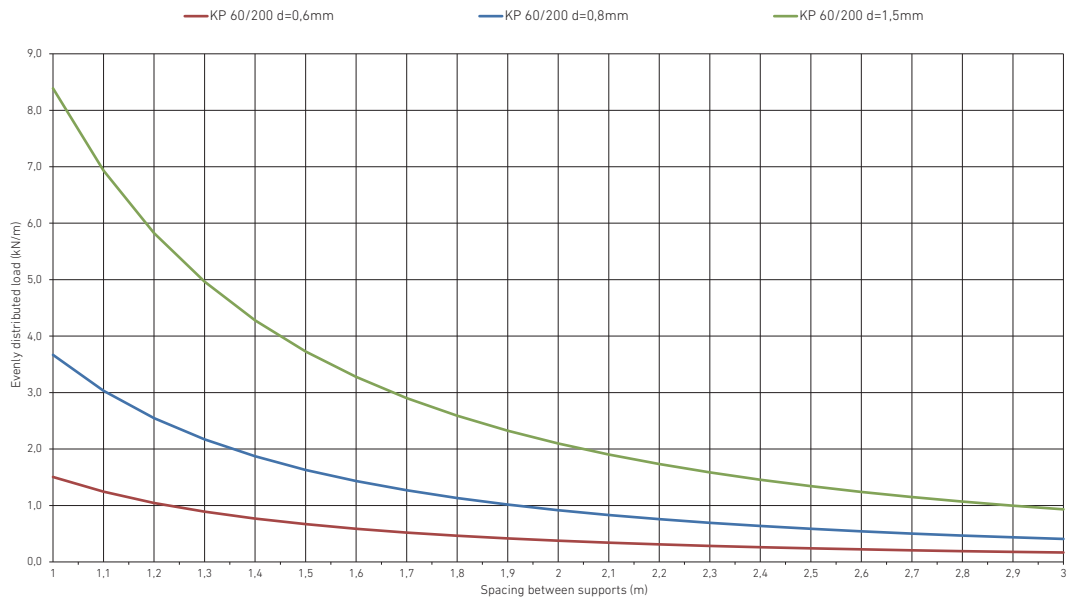




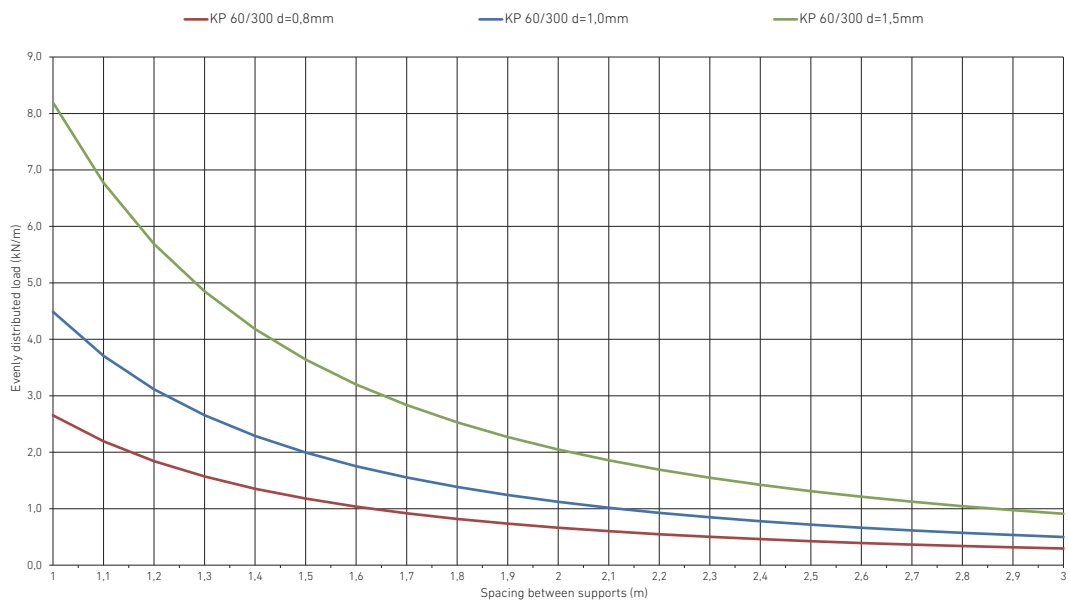
### Permissible load KP 60/100 (kN/m)



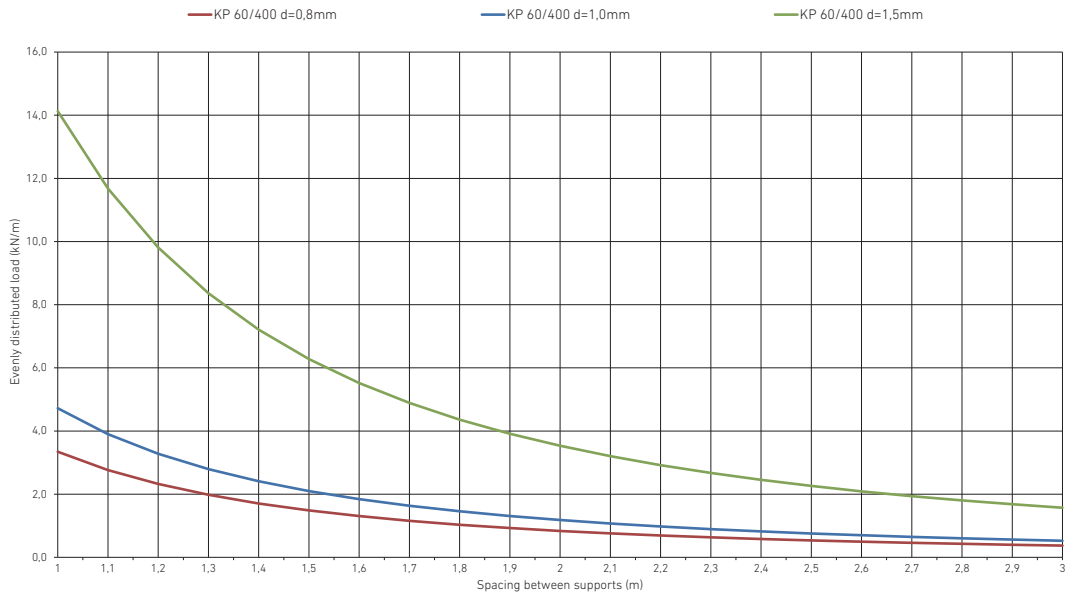
### Permissible load KP 60/200 (kN/m)



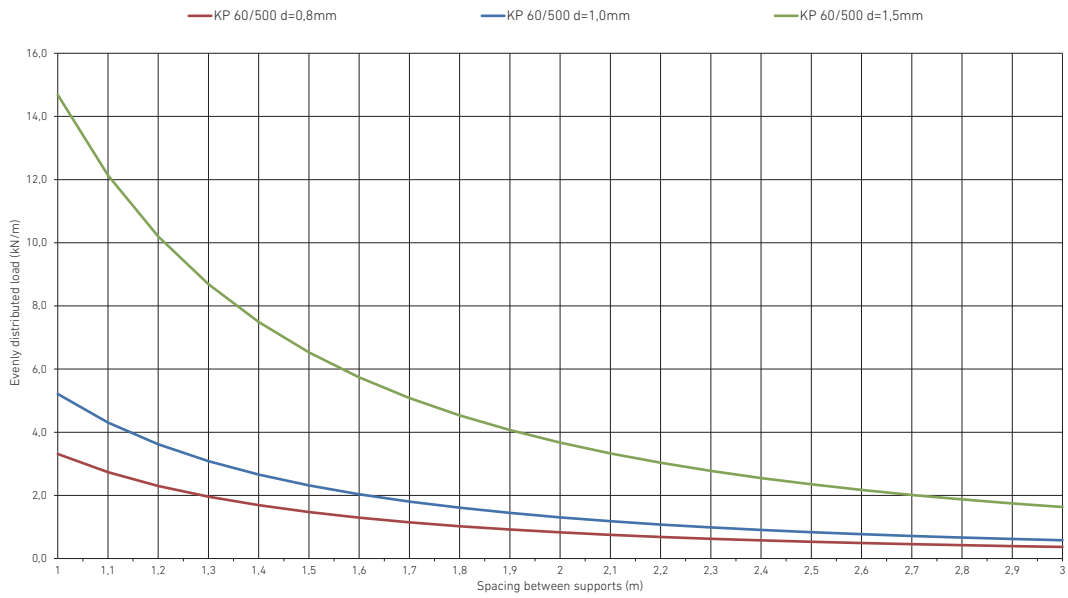
### Permissible load KP 60/300 (kN/m)



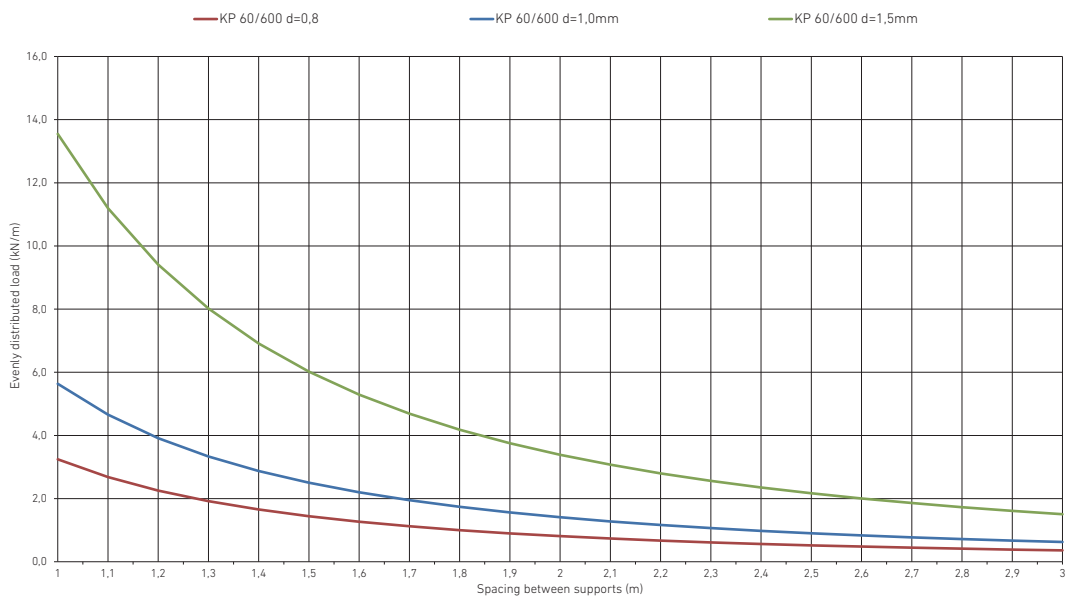
### Permissible load KP 60/400 (kN/m)



### Permissible load KP 60/500 (kN/m)



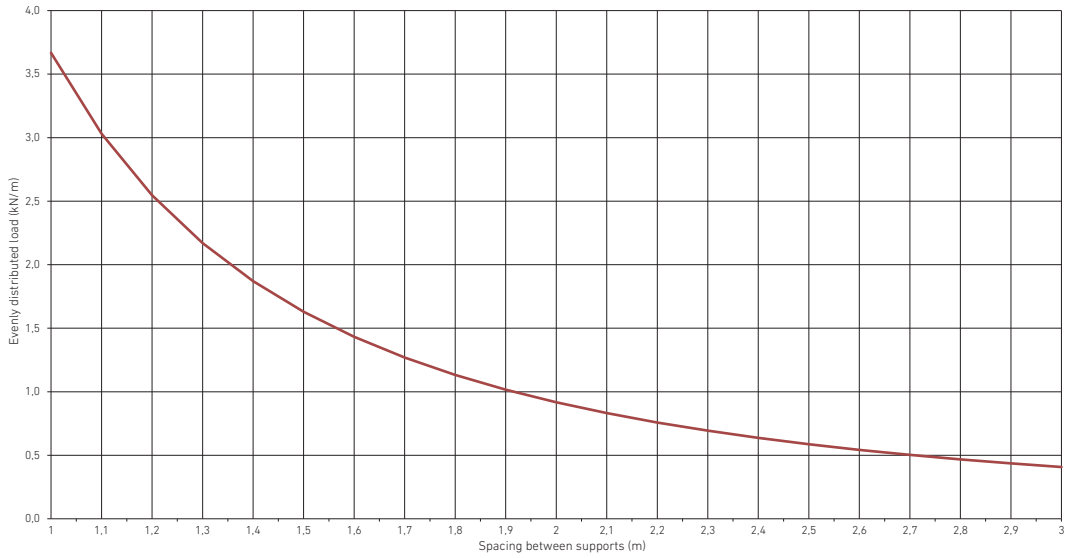
### Permissible load KP 60/600 (kN/m)





### Permissible load KP 100/100 (kN/m)

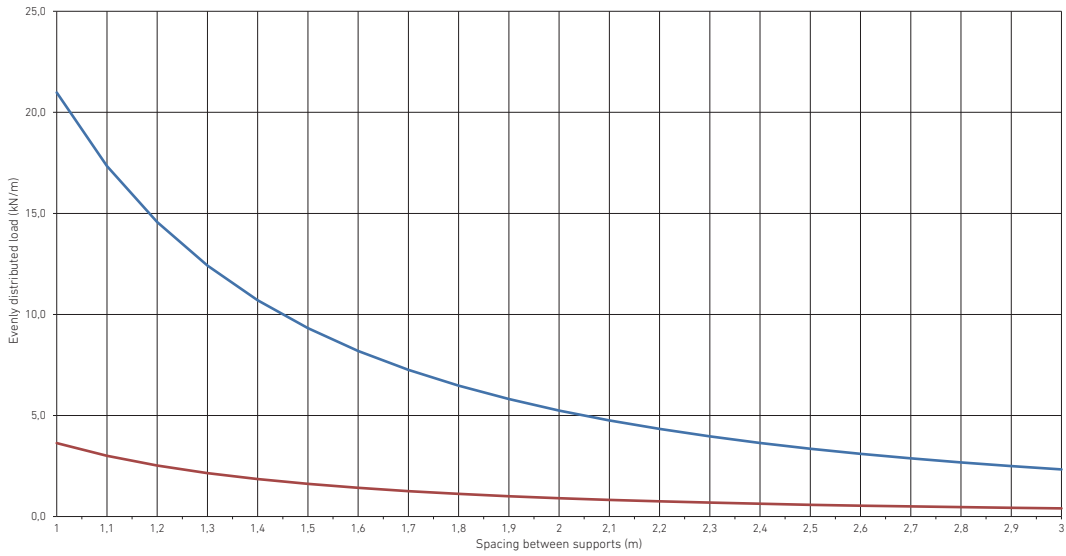
— KP 100/100 d=0,8mm



### Permissible load KP 100/200 (kN/m)

— KP 100/200 d=0,8mm

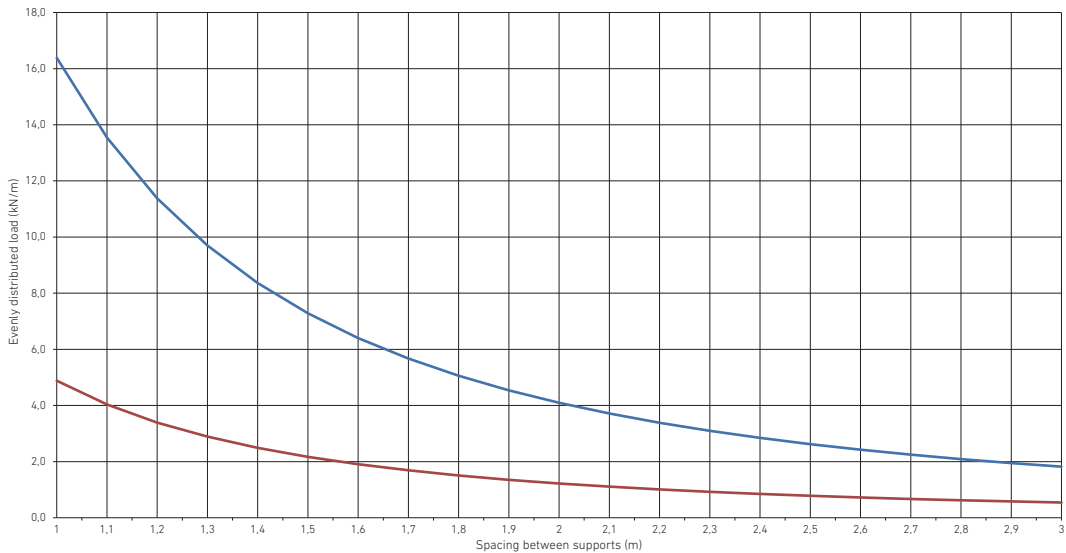
— KP 100/200 d=1,5mm



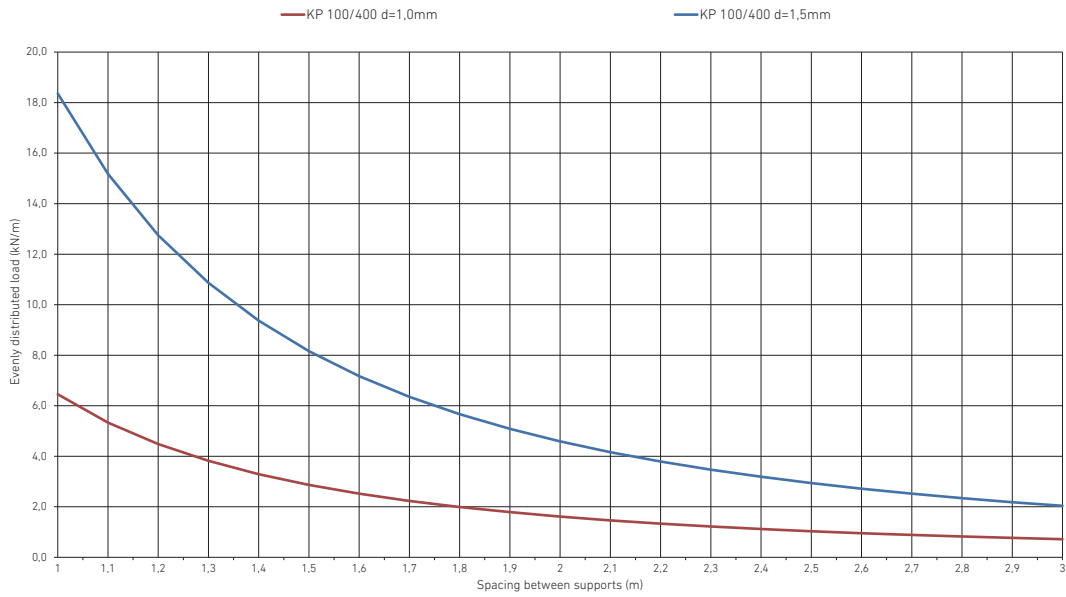
### Permissible load KP 100/300 (kN/m)

— KP 100/300 d=1,0mm

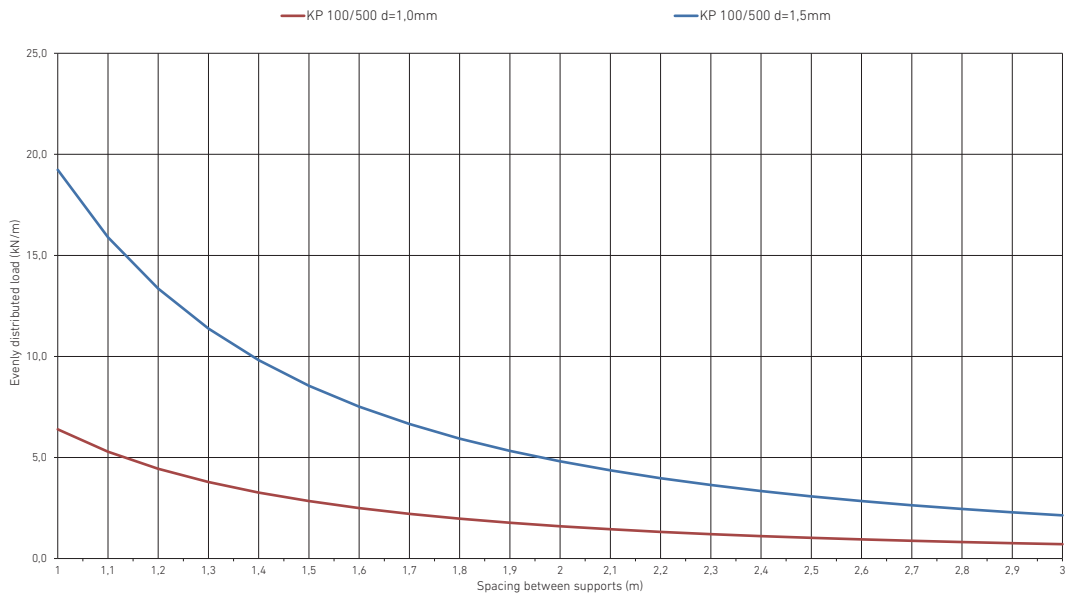
— KP 100/300 d=1,5mm



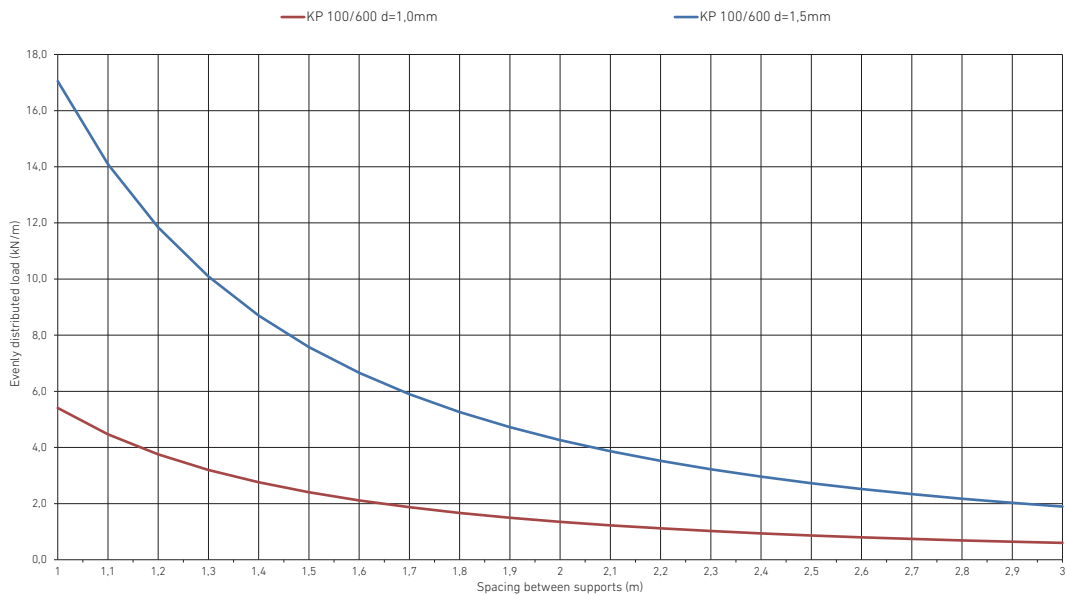
### Permissible load KP 100/400 (kN/m)



### Permissible load KP 100/500 (kN/m)

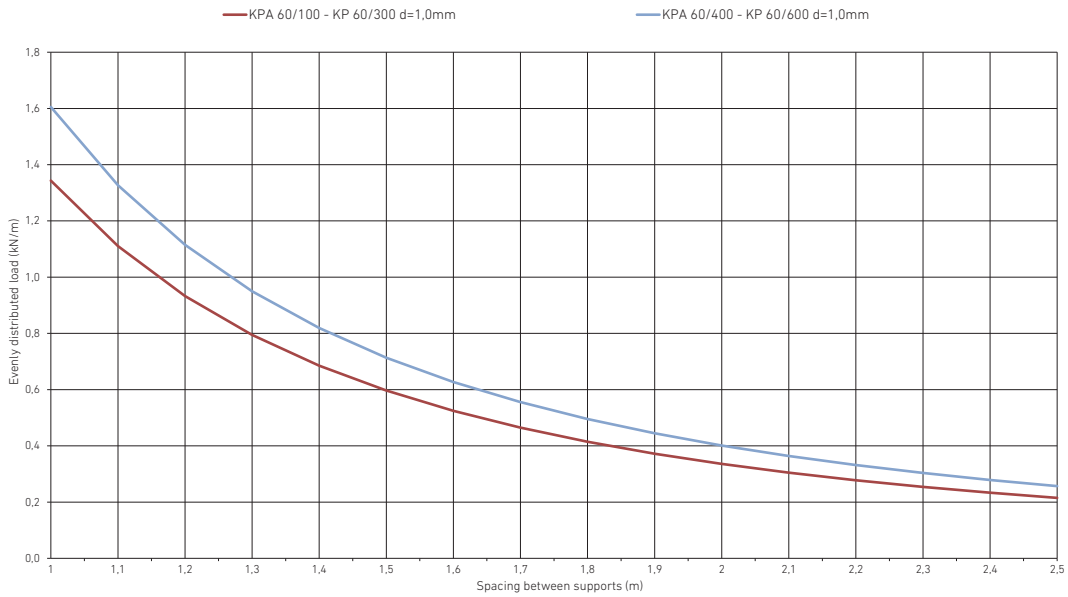


### Permissible load KP 100/600 (kN/m)

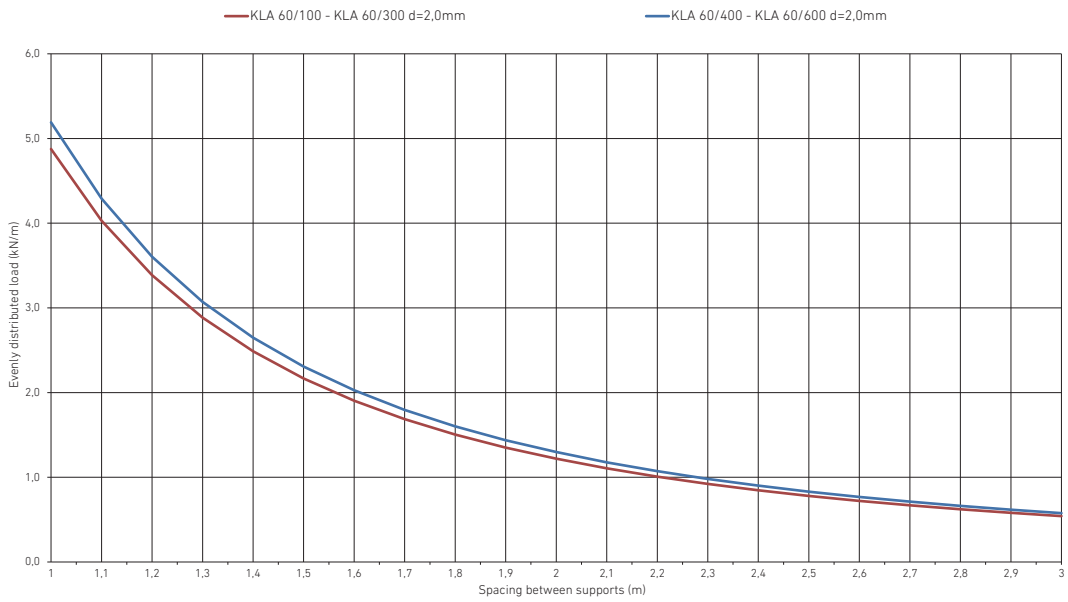




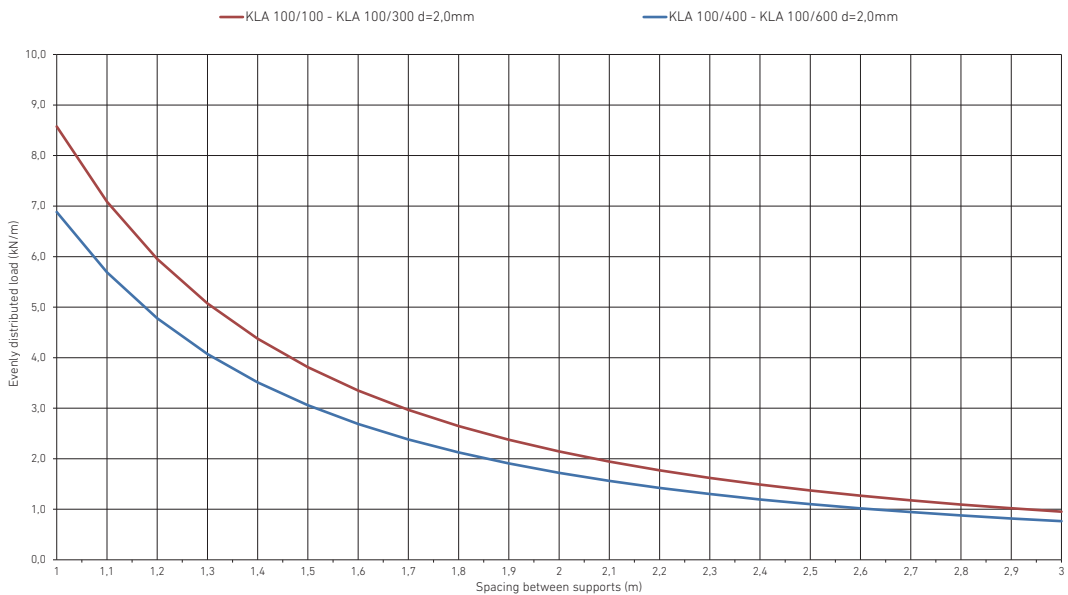
### Permissible load KPA 60/- (kN/m)



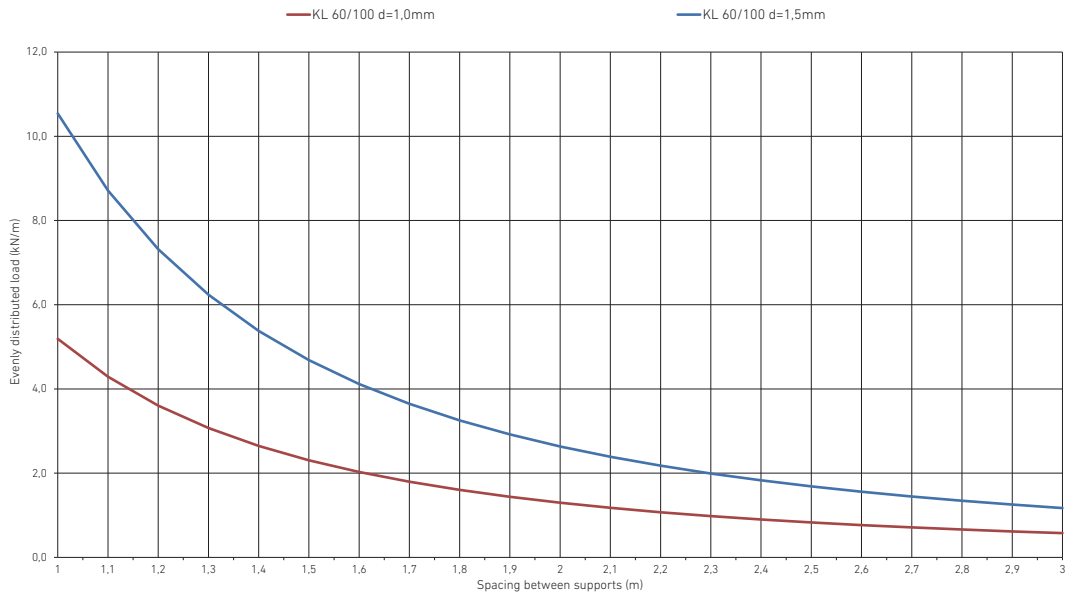
### Permissible load KLA 60/- (kN/m)



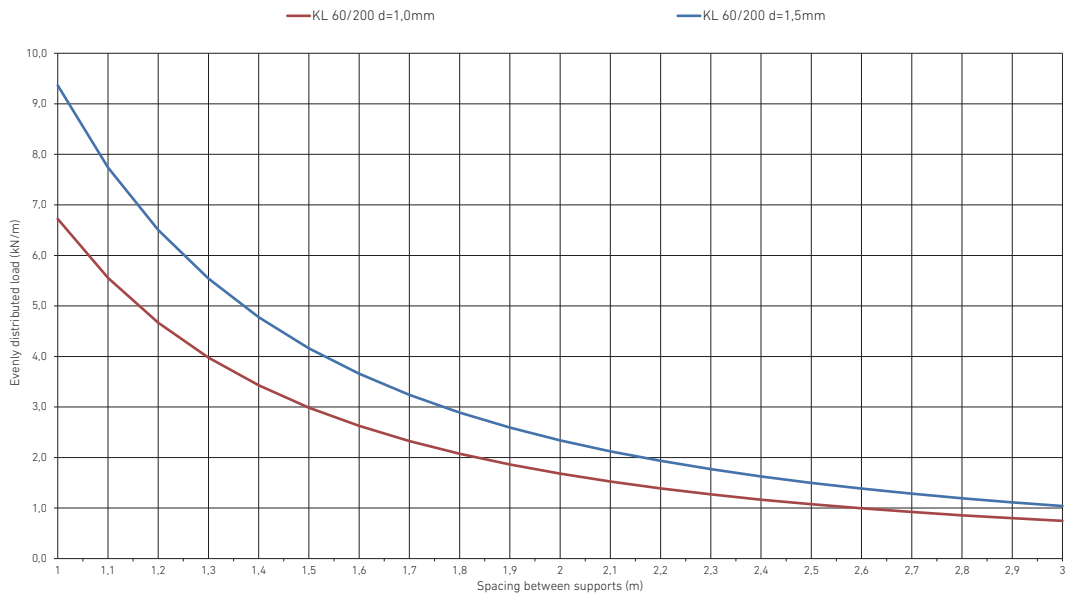
### Permissible load KLA 100/- (kN/m)



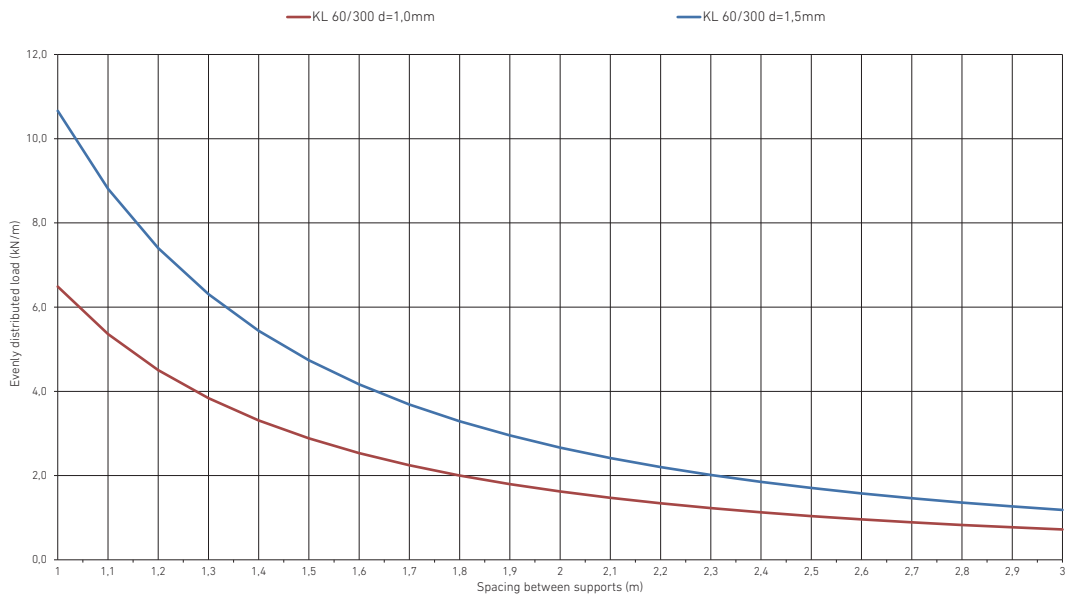
### Permissible load KL 60/100 (kN/m)



### Permissible load KL 60/200 (kN/m)

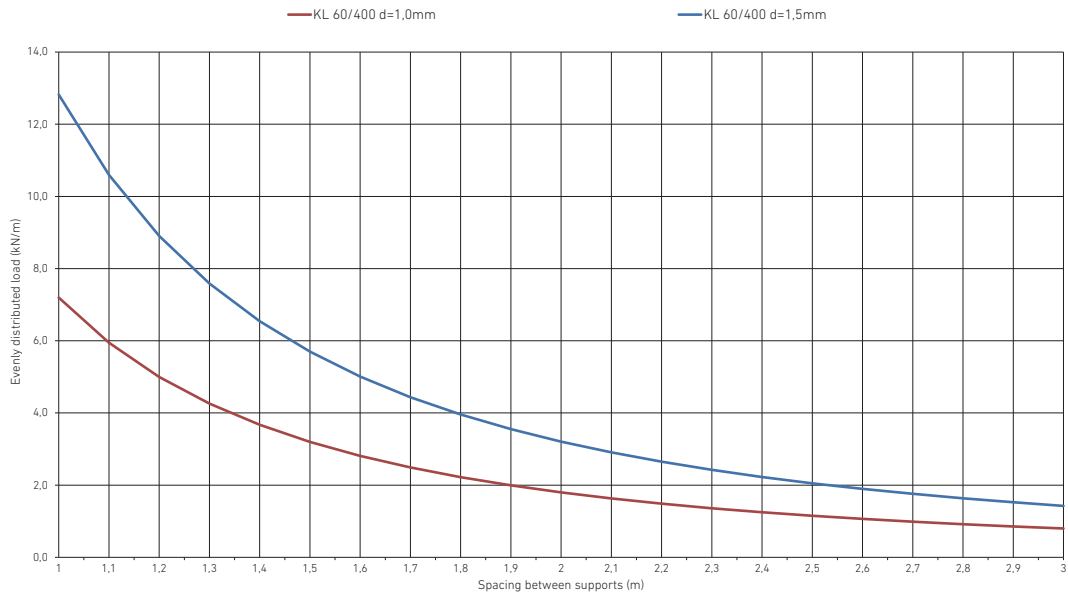


### Permissible load KL 60/300 (kN/m)

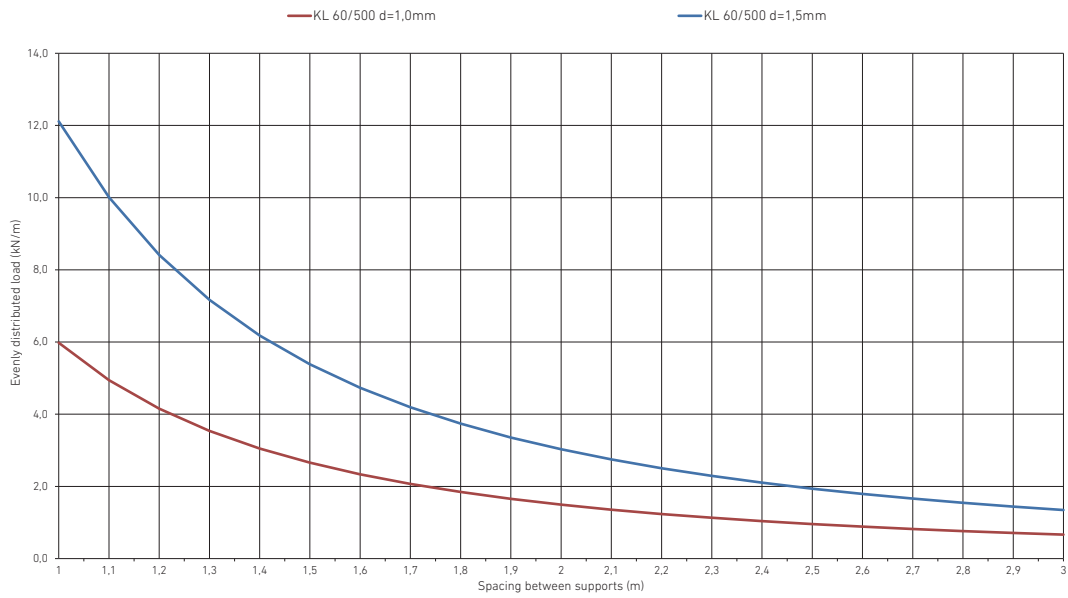




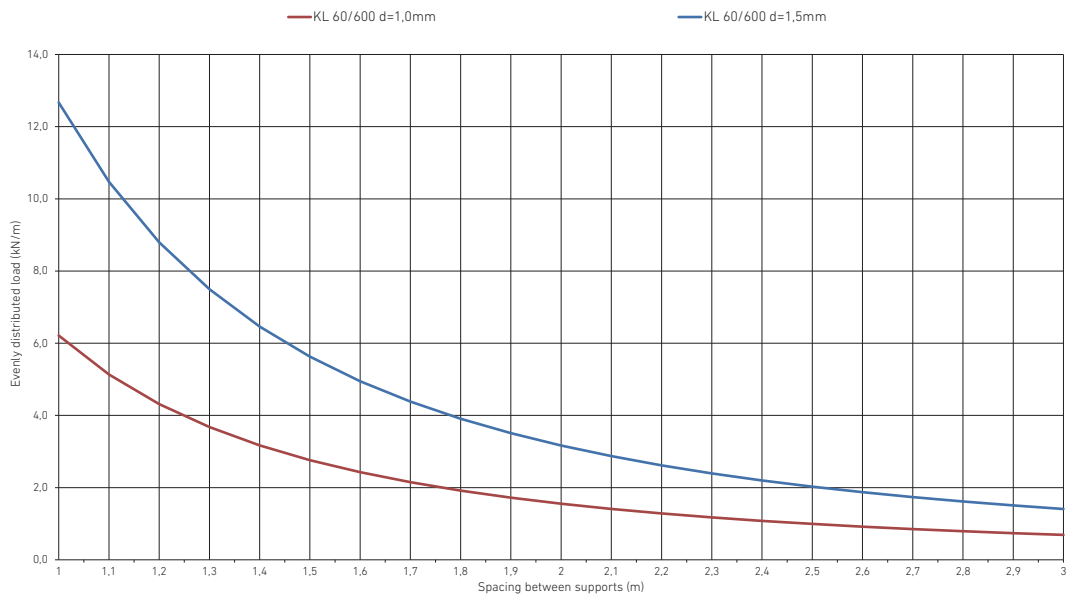
### Permissible load KL 60/400 (kN/m)



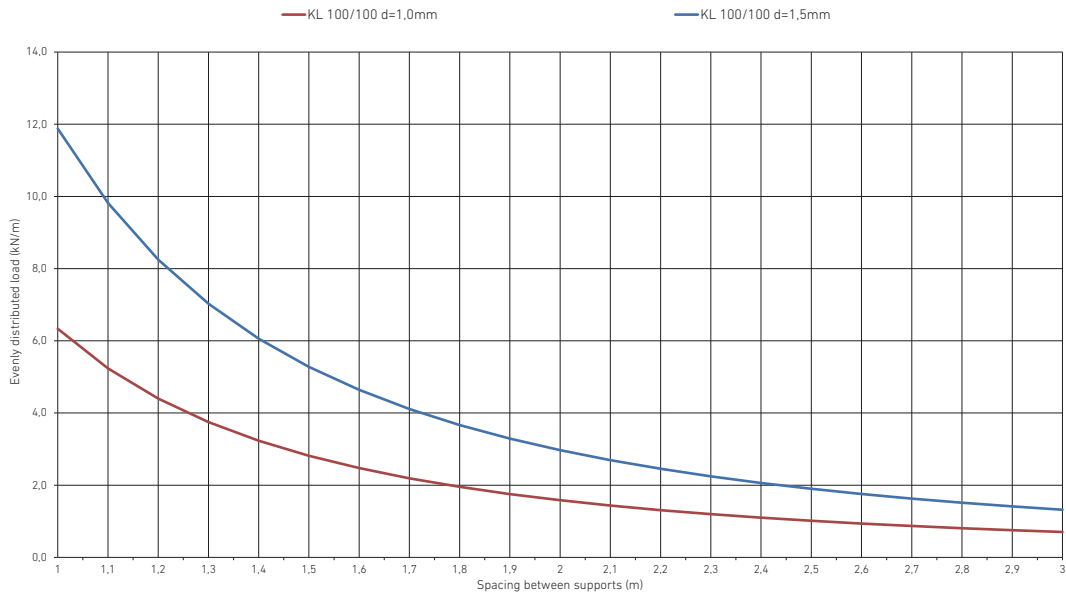
### Permissible load KL 60/500 (kN/m)



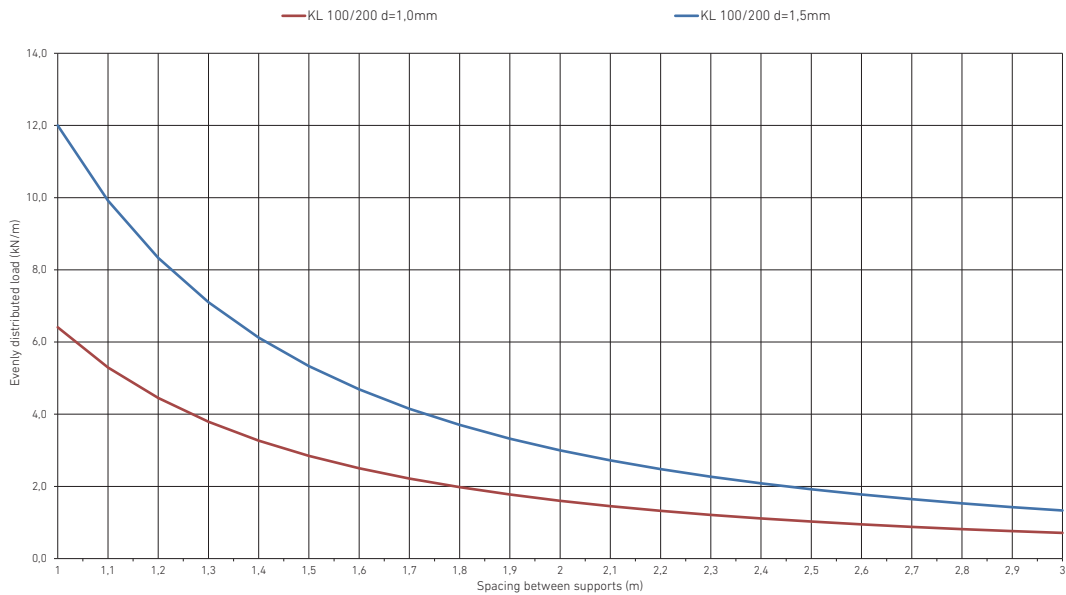
### Permissible load KL 60/600 (kN/m)



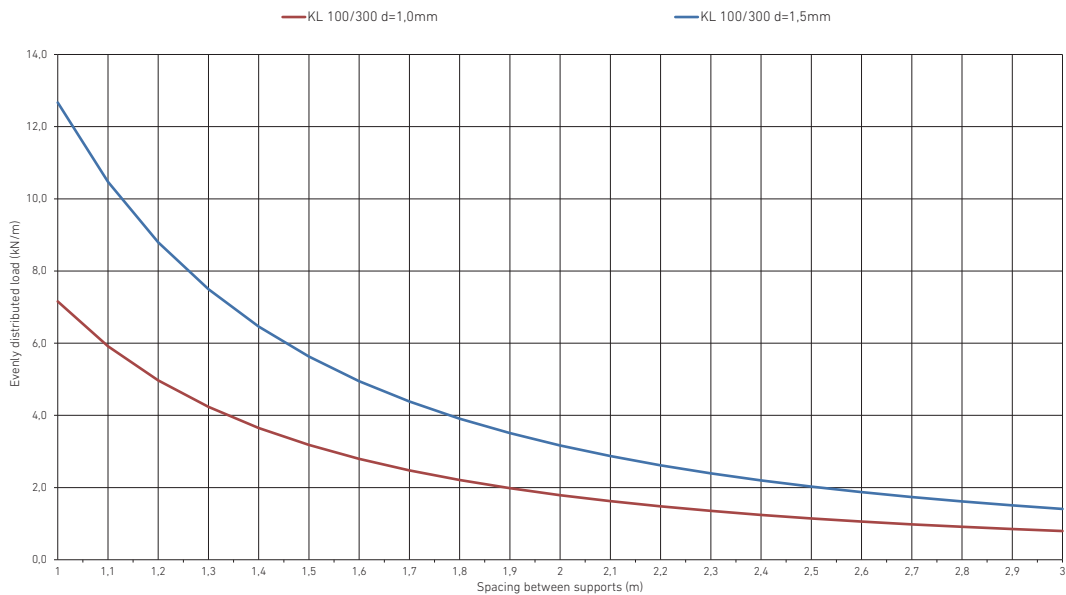
### Permissible load KL 100/100 (kN/m)



### Permissible load KL 100/200 (kN/m)



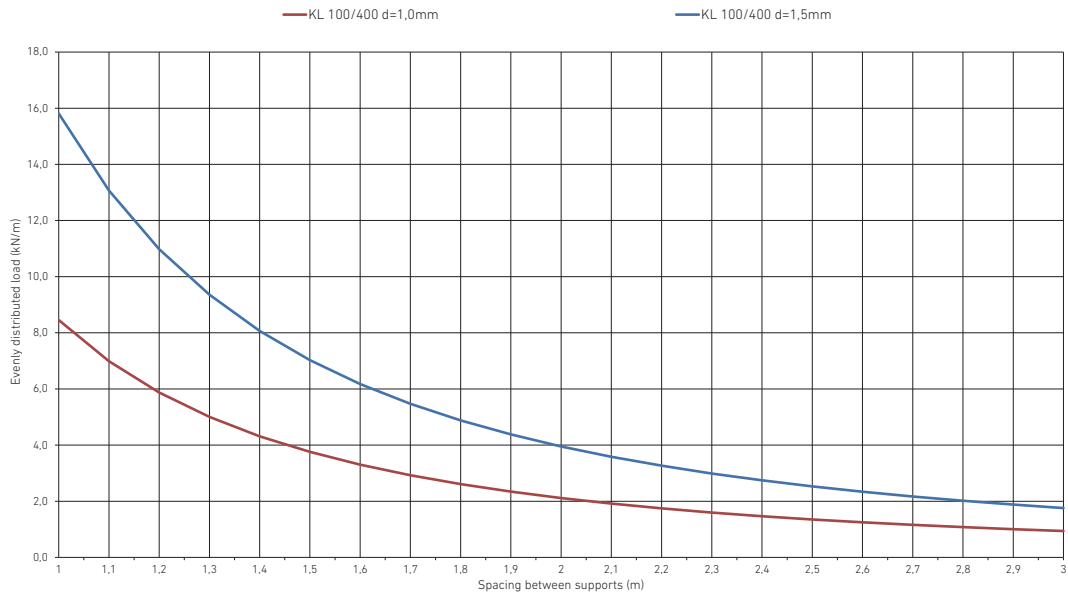
### Permissible load KL 100/300 (kN/m)



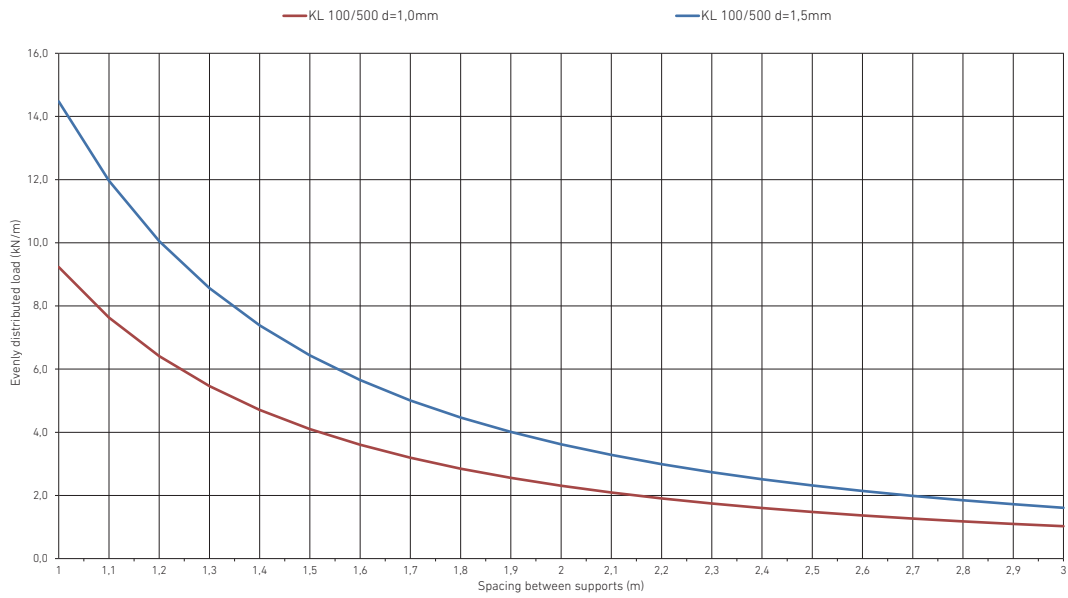




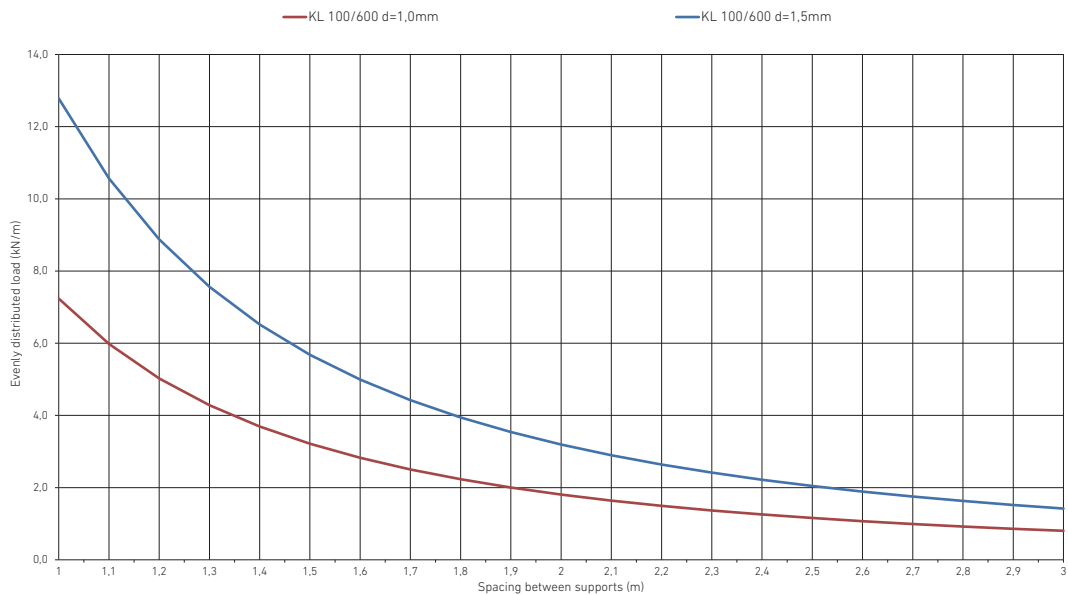
### Permissible load KL 100/400 (kN/m)



### Permissible load KL 100/500 (kN/m)



### Permissible load KL 100/600 (kN/m)



# PRODUCT INDEX

PROD. CODE	ITEM	PAGE	PROD. CODE	ITEM	PAGE	PROD. CODE	ITEM	PAGE
88201130	KPM 60/-	88	88204131*	KPM 60/-	88	88302100	KPA 60/-	85
88201131	KPM 60/-	88	88204132*	KPM 60/-	88	88302101	KPA 60/-	85
88201132	KPM 60/-	88	88204133*	KPM 60/-	88	88302102	KPA 60/-	85
88201133	KPM 60/-	88	88204134*	KPM 60/-	88	88302103	KPA 60/-	85
88201134	KPM 60/-	88	88204135*	KPM 60/-	88	88302104	KPA 60/-	85
88201135	KPM 60/-	88	88204136*	KPM 60/-	88	88302105	KPA 60/-	85
88201136	KPM 60/-	88	88204140*	KPM 35/50	87	88302106	KPA 60/-	85
88201140	KPM 35/50	87	88204400*	SP01	94	88302110	KPA 60/-	85
88201151	KPMG 80/50/60	89	88204401*	SPN02	95	88302111	KPA 60/-	85
88201152	KPMG 100/100/60	89	88204403*	SPN01	94	88302112	KPA 60/-	85
88201153	KPMG 150/150/60	89	88204404*	NKP-NDM	95	88302113	KPA 60/-	85
88201200	SP01	94	88204405*	NKP-FEM	94	88302114	KPA 60/-	85
88201201	SPN02	95	88204406	PKPM-GS 60	90	88302115	KPA 60/-	85
88201203	SPN01	94	88206130	KPM 60/-	88	88302116	KPA 60/-	85
88201204	NKP-NDM	95	88206131	KPM 60/-	88	88303100	PKLA-FS	130
88201205	NKP-FEM	94	88206132	KPM 60/-	88	88303101	PKLA-FS	130
88201206	PKPM-GS 60	90	88206133	KPM 60/-	88	88303110	PKLA-GS	130
88202130	KPM 60/-	88	88206134	KPM 60/-	88	88303111	PKLA-GS	130
88202131	KPM 60/-	88	88206135	KPM 60/-	88	88700100	KP 60/-	21
88202132	KPM 60/-	88	88206136	KPM 60/-	88	88700101	KP 60/-	21
88202133	KPM 60/-	88	88206140	KPM 35/50	87	88700102	KP 60/-	21
88202134	KPM 60/-	88	88206151	KPMG 80/50/60	89	88700103	KP 60/-	21
88202135	KPM 60/-	88	88206152	KPMG 100/100/60	89	88700103	KP 60/-	22
88202136	KPM 60/-	88	88206153	KPMG 150/150/60	89	88700104	KP 60/-	21
88202140	KPM 35/50	87	88206200	SP01	94	88700105	KP 60/-	21
88202151	KPMG 80/50/60	89	88206201	SPN02	95	88700106	KP-PR	26
88202152	KPMG 100/100/60	89	88206203	SPN01	94	88700107	KP 30/-	17
88202153	KPMG 150/150/60	89	88206204	NKP-NDM	95	88700108	KP 60/-	21
88202200	SP01	94	88206205	NKP-FEM	94	88700109	KP-PR	26
88202201	SPN02	95	88206206	PKPM-GS 60	90	88700110	KP 30/-	17
88202203	SPN01	94	88301101	KLA 100/-	129	88700130	KP 60/-	23
88202204	NKP-NDM	95	88301102	KLA 100/-	129	88700131	KP 60/-	23
88202205	NKP-FEM	94	88301103	KLA 100/-	129	88700132	KP 60/-	23
88202206	PKPM-GS 60	90	88301104	KLA 100/-	129	88700133	KP 60/-	23
88203130*	KPM 60/-	88	88301105	KLA 100/-	129	88700134	KP 60/-	23
88203131*	KPM 60/-	88	88301106	KLA 100/-	129	88700135	KP 60/-	23
88203132*	KPM 60/-	88	88301111	KLA 60/-	129	88700136	KP 60/-	23
88203133*	KPM 60/-	88	88301112	KLA 60/-	129	88700139	KP 60/-	23
88203134*	KPM 60/-	88	88301113	KLA 60/-	129	88700140	KP 60/-	22
88203135*	KPM 60/-	88	88301114	KLA 60/-	129	88700141	KP 60/-	22
88203136*	KPM 60/-	88	88301115	KLA 60/-	129	88700142	KP 60/-	22
88203140*	KPM 35/50	87	88301116	KLA 60/-	129	88700143	KP 60/-	22
88203300*	SP01	94	88301150	KPA-P	85	88700144	KP 60/-	22
88203301*	SPN02	95	88301151	KPA-P	85	88700145	KP 60/-	22
88203303*	SPN01	94	88301152	KPA-P	85	88700146	KP 60/-	22
88203304*	NKP-NDM	95	88301153	KPA-P	85	88700150	KP-P	80
88203305*	NKP-FEM	94	88301154	KPA-P	85	88700151	KP-P	80
88203306	PKPM-GS 60	90	88301155	KPA-P	85	88700152	KP-P	80
88204130*	KPM 60/-	88	88301156	KPA-P	85	88700153	KP-P	80



PROD. CODE	ITEM	PAGE
88700154	KP-P	80
88700155	KP-P	80
88700156	KP-P	80
88700160	KP-P	82
88700161	KP-P	82
88700162	KP-P	82
88700163	KP-P	82
88700164	KP-P	82
88700165	KP-P	82
88700166	KP-P	82
88700167	KP-P	83
88700168	KP-P	83
88700169	KP-P	83
88700170	KP-P	83
88700171	KP-P	83
88700172	KP-P	83
88700173	KP-P	83
88700174	KP-PB	26
88700175	KP-PB	26
88700176	KP-PB	26
88700177	KP-PB	26
88700178	KP-PB	26
88700179	KP-PB	26
88700180	KP-PB	26
88700181	KP-PB	26
88700182	KP-PB 30/50	18
88700184	KP-PB 30/50 U	18
88700195	KP-PR	55
88700196	KP-PR	55
88700200	KP 60/-	21
88700201	KP 60/-	21
88700202	KP 60/-	21
88700203	KP 60/-	21
88700204	KP 60/-	21
88700205	KP 60/-	21
88700206	KP-PR	26
88700207	KP 30/-	17
88700209	KP 100/-	51
88700211	KP 60/-	21
88700212	KP 60/-	21
88700250	KP-P	80
88700251	KP-P	80
88700252	KP-P	80
88700253	KP-P	80
88700254	KP-P	80
88700255	KP-P	80
88700256	KP-P	80
88700259	KP-P	80
88700274	KP-PB	26

PROD. CODE	ITEM	PAGE
88700275	KP-PB	26
88700276	KP-PB	26
88700277	KP-PB	26
88700278	KP-PB	26
88700279	KP-PB	26
88700280	KP-PB	26
88700281	KP-PB	26
88700295	KP-PR	55
88700299	KP-PR	26
88700300*	KP 60/-	21
88700301*	KP 60/-	21
88700302*	KP 60/-	21
88700303*	KP 60/-	21
88700304*	KP 60/-	21
88700305*	KP 60/-	21
88700306*	KP-PR	26
88700307*	KP 30/-	17
88700308*	KP 60/-	21
88700350*	KP-P	80
88700351*	KP-P	80
88700352*	KP-P	80
88700353*	KP-P	80
88700354*	KP-P	80
88700355*	KP-P	80
88700356*	KP-P	80
88700400*	KP 60/-	21
88700401*	KP 60/-	21
88700402*	KP 60/-	21
88700403*	KP 60/-	21
88700404*	KP 60/-	21
88700405*	KP 60/-	21
88700406*	KP 60/-	21
88700407*	KP 30/-	17
88700409*	KP-PR	26
88700450*	KP-P	80
88700451*	KP-P	80
88700452*	KP-P	80
88700453*	KP-P	80
88700454*	KP-P	80
88700455*	KP-P	80
88700456*	KP-P	80
88700504	KP 100/-	51
88700518	KP 60/-	21
88700519	KP-P	80
88700520	KP 60/-	24
88700521	KP 60/-	24
88700522	KP 60/-	24
88700525	KP 60/-	24
88700526	KP 60/-	24

PROD. CODE	ITEM	PAGE
88700527	KP 60/-	24
88700528	KP 60/-	24
88700529	KP 60/-	24
88700530	KP 60/-	24
88700531	KP 60/-	24
88700532	KP 60/-	24
88700533	KP 60/-	24
88700534	KP 60/-	25
88700535	KP 60/-	25
88700536	KP 60/-	25
88700537	KP 60/-	25
88700538	KP 60/-	25
88700539	KP 60/-	25
88700542	KP 60/-	24
88700570	KPU 60/-	75
88700570	KPU 60/-	76
88700571	KPU 60/-	75
88700571	KPU 60/-	76
88700572	KPU 60/-	75
88700572	KPU 60/-	76
88700573	KPU 60/-	75
88700573	KPU 60/-	76
88700574	KPU 60/-	75
88700574	KPU 60/-	76
88700575	KPU 60/-	75
88700575	KPU 60/-	76
88700576	KPU 60/-	75
88700576	KPU 60/-	76
88700594	KP 100/-	51
88700600	KP 60/-	21
88700600	KP 60/-	22
88700601	KP 60/-	21
88700601	KP 60/-	22
88700602	KP 60/-	21
88700602	KP 60/-	22
88700603	KP 60/-	21
88700603	KP 60/-	22
88700604	KP 60/-	21
88700605	KP 60/-	21
88700606	KP 60/-	21
88700607	KP 30/-	17
88700609	KP-PR	26
88700612	KP 60/-	21
88700630	KP 60/-	23
88700630	KP 60/-	24
88700631	KP 60/-	23
88700631	KP 60/-	24
88700632	KP 60/-	23
88700632	KP 60/-	24

PROD. CODE	ITEM	PAGE	PROD. CODE	ITEM	PAGE	PROD. CODE	ITEM	PAGE
88700633	KP 60/-	23	88701108	PKP-ZKP	28	88701150	PKP-SOP	37
88700634	KP 60/-	23	88701108	PKP-ZKP	56	88701150	PKP-SOP	64
88700635	KP 60/-	23	88701109	PKP-ZKP	28	88701151	PKP-KR 60/-	38
88700636	KP 60/-	23	88701109	PKP-ZKP	56	88701152	PKP-KR 60/-	38
88700639	KP 60/-	23	88701110	PKP-ZKP	28	88701153	PKP-KR 60/-	38
88700650	KP-P	80	88701110	PKP-ZKP	56	88701154	PKP-KR 60/-	38
88700651	KP-P	80	88701111	PKP-NK 60/-	29	88701155	PKP-KR 60/-	38
88700652	KP-P	80	88701112	PKP-NK 60/-	29	88701156	PKP-KRP	39
88700653	KP-P	80	88701113	PKP-NK 60/-	29	88701156	PKP-KRP	67
88700654	KP-P	80	88701114	PKP-NK 60/-	29	88701157	PKP-KRP	39
88700655	KP-P	80	88701115	PKP-NK 60/-	29	88701157	PKP-KRP	67
88700656	KP-P	80	88701116	PKP-NKP	30	88701158	PKP-KRP	39
88700659	KP-P	80	88701116	PKP-NKP	58	88701158	PKP-KRP	67
88700670	KP-P	81	88701117	PKP-NKP	30	88701159	PKP-KRP	39
88700671	KP-P	81	88701117	PKP-NKP	58	88701159	PKP-KRP	67
88700672	KP-P	81	88701118	PKP-NKP	30	88701160	PKP-KRP	39
88700673	KP-P	81	88701118	PKP-NKP	58	88701160	PKP-KRP	67
88700674	KP-P	81	88701119	PKP-NKP	30	88701161	PKP-KO 60/-	33
88700675	KP-P	81	88701119	PKP-NKP	58	88701162	PKP-KO 60/-	33
88700676	KP-P	81	88701120	PKP-NKP	30	88701163	PKP-KO 60/-	33
88700679	KP-P	81	88701120	PKP-NKP	58	88701164	PKP-KO 60/-	33
88700680	KP-P	82	88701131	PKP-KO 60/-	31	88701165	PKP-KO 60/-	33
88700681	KP-P	82	88701132	PKP-KO 60/-	31	88701166	PKP-KOP	34
88700682	KP-P	82	88701133	PKP-KO 60/-	31	88701166	PKP-KOP	62
88700683	KP-P	82	88701134	PKP-KO 60/-	31	88701167	PKP-KOP	34
88700684	KP-P	82	88701135	PKP-KO 60/-	31	88701167	PKP-KOP	62
88700685	KP-P	82	88701136	PKP-KOP	32	88701168	PKP-KOP	34
88700686	KP-P	82	88701136	PKP-KOP	60	88701168	PKP-KOP	62
88700689	KP-P	82	88701137	PKP-KOP	32	88701169	PKP-KOP	34
88700695	KP-PR	55	88701137	PKP-KOP	60	88701169	PKP-KOP	62
88700699	KP-PR	26	88701138	PKP-KOP	32	88701170	PKP-KOP	34
88700700	KP-PB	26	88701138	PKP-KOP	60	88701170	PKP-KOP	62
88700701	KP-PB	26	88701139	PKP-KOP	32	88701171	PKP-GS 60	46
88700702	KP-PB	26	88701139	PKP-KOP	60	88701172	PKP-FS 60	49
88700703	KP-PB	26	88701140	PKP-KOP	32	88701174	PKP-OE 60/-	40
88700704	KP-PB	26	88701140	PKP-KOP	60	88701175	PKP-OE 60/-	40
88700705	KP-PB	26	88701141	PKP-SO 60/-	36	88701176	PKP-OE 60/-	40
88700706	KP-PB	26	88701142	PKP-SO 60/-	36	88701177	PKP-OEP	41
88700709	KP-PB	26	88701143	PKP-SO 60/-	36	88701177	PKP-OEP	69
88701100	PKP-ZK 60/-	27	88701144	PKP-SO 60/-	36	88701178	PKP-OEP	41
88701101	PKP-ZK 60/-	27	88701145	PKP-SO 60/-	36	88701178	PKP-OEP	69
88701102	PKP-ZK 60/-	27	88701146	PKP-SOP	37	88701179	PKP-OEP	41
88701103	PKP-ZK 60/-	27	88701146	PKP-SOP	64	88701179	PKP-OEP	69
88701104	PKP-ZK 60/-	27	88701147	PKP-SOP	37	88701180	PKP-OEP	41
88701105	PKP-ZK 60/-	27	88701147	PKP-SOP	64	88701180	PKP-OEP	69
88701106	PKP-ZKP	28	88701148	PKP-SOP	37	88701182	PKP-OE 60/-	40
88701106	PKP-ZKP	56	88701148	PKP-SOP	64	88701183	PKP-OEP	41
88701107	PKP-ZKP	28	88701149	PKP-SOP	37	88701183	PKP-OEP	69
88701107	PKP-ZKP	56	88701149	PKP-SOP	64	88701184	PKP-KO 60/-	31



PROD. CODE	ITEM	PAGE
88701185	PKP-SO 60/-	36
88701186	PKP-KO 60/-	31
88701187	PKP-SO 60/-	36
88701188	PKP-OE 60/-	40
88701189	PKP-OE 60/-	40
88701190	PKP-ZRE 60/-	46
88701191	PKP-ZRE 60/-	46
88701197	PKP-ZRE 100/-	70
88701198	PKP-ZRE 100/-	70
88701200	PKP-RED 60/-	42
88701201	PKP-RED 60/-	42
88701202	PKP-RED 60/-	42
88701203	PKP-RED 60/-	42
88701204	PKP-RED 60/-	42
88701205	PKP-RED 60/-	42
88701210	PKP-REL 60/-	44
88701211	PKP-REL 60/-	44
88701212	PKP-REL 60/-	44
88701213	PKP-REL 60/-	44
88701214	PKP-REL 60/-	44
88701215	PKP-REL 60/-	44
88701216	PKP-ZKP	28
88701216	PKP-ZKP	56
88701217	PKP-ZKP	28
88701217	PKP-ZKP	56
88701218	PKP-NK 60/-	29
88701219	PKP-NKP	30
88701219	PKP-NKP	58
88701220	PKP-ZK 60/-	27
88701221	PKP-NK 60/-	29
88701222	PKP-KR 60/-	38
88701223	NKP-VE 02	163
88701224	NKP-VE 01	162
88701224	PKP-VE 01 E90	187
88701225	NKP-VE 10	164
88701226	PKP-NKP	30
88701226	PKP-NKP	58
88701227	PKP-KOP	32
88701227	PKP-KOP	60
88701228	PKP-KOP	32
88701228	PKP-KOP	60
88701229	PKP-SOP	37
88701229	PKP-SOP	64
88701230	PKP-SOP	37
88701230	PKP-SOP	64
88701231	PKP-KR 60/-	38
88701232	PKP-KRP	39
88701232	PKP-KRP	67
88701233	PKP-KRP	39

PROD. CODE	ITEM	PAGE
88701233	PKP-KRP	67
88701234	PKP-KO 60/-	33
88701235	PKP-KO 60/-	33
88701236	PKP-KOP	34
88701236	PKP-KOP	62
88701237	PKP-KOP	34
88701237	PKP-KOP	62
88701238	PKP-OEP	41
88701238	PKP-OEP	69
88701239	PKP-OEP	41
88701239	PKP-OEP	69
88701240	PKP-REDP	43
88701241	PKP-REDP	43
88701242	PKP-REDP	43
88701243	PKP-REDP	43
88701244	PKP-REDP	43
88701245	PKP-REDP	43
88701250	PKP-RELP	45
88701251	PKP-RELP	45
88701252	PKP-RELP	45
88701253	PKP-RELP	45
88701254	PKP-RELP	45
88701255	PKP-RELP	45
88701271	PKP-KO 100/-	59
88701272	PKP-KO 100/-	59
88701273	PKP-KO 100/-	59
88701274	PKP-KO 100/-	59
88701275	PKP-KO 100/-	59
88701276	PKP-KO 100/-	59
88701282	PKP-KO 100/-	61
88701283	PKP-KO 100/-	61
88701284	PKP-KO 100/-	61
88701285	PKP-KO 100/-	61
88701286	PKP-KO 100/-	61
88701287	PKP-KO 100/-	61
88701291	PKP-SO 100/-	63
88701292	PKP-SO 100/-	63
88701293	PKP-SO 100/-	63
88701294	PKP-SO 100/-	63
88701295	PKP-SO 100/-	63
88701296	PKP-SO 100/-	63
88701300	PKP-FS PL	160
88701301	PKP-FS UL	160
88701302	PKP-FS C	161
88701303	PKP-FS C	161
88701305	PKP-FSN C	162
88701306	PKP-FSN C	162
88701308	PKP-FS SNU	156
88701310	PKP-KO 60/-	35

PROD. CODE	ITEM	PAGE
88701311	PKP-KO 60/-	35
88701312	PKP-KO 60/-	35
88701313	PKP-KO 60/-	35
88701314	PKP-KO 60/-	35
88701315	PKP-KO 60/-	35
88701316	PKP-KO 60/-	35
88701317	PKP-KO 60/-	35
88701321	PKP-NK 100/-	57
88701322	PKP-NK 100/-	57
88701323	PKP-NK 100/-	57
88701324	PKP-NK 100/-	57
88701325	PKP-NK 100/-	57
88701326	PKP-NK 100/-	57
88701331	PKP-ZK 100/-	55
88701332	PKP-ZK 100/-	55
88701333	PKP-ZK 100/-	55
88701334	PKP-ZK 100/-	55
88701335	PKP-ZK 100/-	55
88701336	PKP-ZK 100/-	55
88701341	PKP-KR 100/-	66
88701342	PKP-KR 100/-	66
88701343	PKP-KR 100/-	66
88701344	PKP-KR 100/-	66
88701345	PKP-KR 100/-	66
88701346	PKP-KR 100/-	66
88701351	PKP-OE 100/-	68
88701352	PKP-OE 100/-	68
88701353	PKP-OE 100/-	68
88701354	PKP-OE 100/-	68
88701355	PKP-OE 100/-	68
88701356	PKP-OE 100/-	68
88701384	PKP-FS 100	72
88701385	PKP-GS 100	71
88701386	PKP-UFS 60	50
88701386	PKP-UFS 60	90
88701386	PKP-UFS 60	127
88701387	PKP-FS 60	49
88701388	PKP-GS 60	47
88701389	PKP-FS 60	49
88701390	PKP-GSH 60	48
88701391	PKP-GSH 60	48
88701392	PKP-GSH 100	72
88701393	PKP-GSH 100	71
88701401	PKP-PEK 60/-	78
88701402	PKP-PEK 60/-	78
88701403	PKP-PEK 60/-	78
88701404	PKP-PEK 60/-	78
88701405	PKP-PEK 60/-	78
88701406	PKP-PEK 60/-	78

PROD. CODE	ITEM	PAGE	PROD. CODE	ITEM	PAGE	PROD. CODE	ITEM	PAGE
88701411	PKP-OE 100/-	70	88701531	PKPU-NK 60/-	78	88702239	PKP-KOP	60
88701412	PKP-OE 100/-	70	88701532	PKPU-NK 60/-	78	88702240	PKP-KOP	32
88701413	PKP-OE 100/-	70	88701533	PKPU-NK 60/-	78	88702240	PKP-KOP	60
88701414	PKP-OE 100/-	70	88701534	PKPU-NK 60/-	78	88702246	PKP-SOP	37
88701415	PKP-OE 100/-	70	88701535	PKPU-NK 60/-	78	88702246	PKP-SOP	64
88701416	PKP-OE 100/-	70	88701536	PKPU-NK 60/-	78	88702247	PKP-SOP	37
88701421	PKP-OEP	70	88702200	PKP-ZK 60/-	27	88702247	PKP-SOP	64
88701421	PKP-OEP	70	88702201	PKP-ZK 60/-	27	88702248	PKP-SOP	37
88701422	PKP-OEP	70	88702202	PKP-ZK 60/-	27	88702248	PKP-SOP	64
88701423	PKP-OEP	70	88702203	PKP-ZK 60/-	27	88702249	PKP-SOP	37
88701424	PKP-OEP	70	88702204	PKP-ZK 60/-	27	88702249	PKP-SOP	64
88701425	PKP-OEP	70	88702205	PKP-ZK 60/-	27	88702250	PKP-SOP	37
88701426	PKP-OEP	70	88702206	PKP-ZKP	28	88702250	PKP-SOP	64
88701431	PKP-SO 100/-	65	88702206	PKP-ZKP	56	88702251	PKP-KR 60/-	38
88701432	PKP-SO 100/-	65	88702207	PKP-ZKP	28	88702252	PKP-KR 60/-	38
88701433	PKP-SO 100/-	65	88702207	PKP-ZKP	56	88702253	PKP-KR 60/-	38
88701434	PKP-SO 100/-	65	88702208	PKP-ZKP	28	88702254	PKP-KR 60/-	38
88701435	PKP-SO 100/-	65	88702208	PKP-ZKP	56	88702255	PKP-KR 60/-	38
88701436	PKP-SO 100/-	65	88702209	PKP-ZKP	28	88702256	PKP-KRP	39
88701441	PKP-SOP	65	88702209	PKP-ZKP	56	88702256	PKP-KRP	67
88701441	PKP-SOP	65	88702210	PKP-ZKP	28	88702257	PKP-KRP	39
88701442	PKP-SOP	65	88702210	PKP-ZKP	56	88702257	PKP-KRP	67
88701443	PKP-SOP	65	88702211	PKP-NK 60/-	29	88702258	PKP-KRP	39
88701444	PKP-SOP	65	88702212	PKP-NK 60/-	29	88702258	PKP-KRP	67
88701445	PKP-SOP	65	88702213	PKP-NK 60/-	29	88702259	PKP-KRP	39
88701446	PKP-SOP	65	88702214	PKP-NK 60/-	29	88702259	PKP-KRP	67
88701451	PKP-FJ 60/-	50	88702215	PKP-NK 60/-	29	88702260	PKP-KRP	39
88701452	PKP-FJ 60/-	50	88702216	PKP-NKP	30	88702260	PKP-KRP	67
88701453	PKP-FJ 60/-	50	88702216	PKP-NKP	58	88702261	PKP-KO 60/-	33
88701454	PKP-FJ 60/-	50	88702217	PKP-NKP	30	88702262	PKP-KO 60/-	33
88701455	PKP-FJ 60/-	50	88702217	PKP-NKP	58	88702263	PKP-KO 60/-	33
88701456	PKP-FJ 60/-	50	88702218	PKP-NKP	30	88702264	PKP-KO 60/-	33
88701459	PKP-FJ 60/-	50	88702218	PKP-NKP	58	88702265	PKP-KO 60/-	33
88701462	PKP-SP1	83	88702219	PKP-NKP	30	88702266	PKP-KOP	34
88701510	PKPU-SO 60/-	77	88702219	PKP-NKP	58	88702266	PKP-KOP	62
88701511	PKPU-SO 60/-	77	88702220	PKP-NKP	30	88702267	PKP-KOP	34
88701512	PKPU-SO 60/-	77	88702220	PKP-NKP	58	88702267	PKP-KOP	62
88701513	PKPU-SO 60/-	77	88702231	PKP-KO 60/-	31	88702268	PKP-KOP	34
88701514	PKPU-SO 60/-	77	88702232	PKP-KO 60/-	31	88702268	PKP-KOP	62
88701515	PKPU-SO 60/-	77	88702233	PKP-KO 60/-	31	88702269	PKP-KOP	34
88701516	PKPU-SO 60/-	77	88702234	PKP-KO 60/-	31	88702269	PKP-KOP	62
88701520	PKPU-KO 60/-	77	88702235	PKP-KO 60/-	31	88702270	PKP-KOP	34
88701521	PKPU-KO 60/-	77	88702236	PKP-KOP	32	88702270	PKP-KOP	62
88701522	PKPU-KO 60/-	77	88702236	PKP-KOP	60	88702271	PKP-GS 60	46
88701523	PKPU-KO 60/-	77	88702237	PKP-KOP	32	88702272	PKP-FS 60	49
88701524	PKPU-KO 60/-	77	88702237	PKP-KOP	60	88702273	PKP-OE 60/-	40
88701525	PKPU-KO 60/-	77	88702238	PKP-KOP	32	88702274	PKP-OE 60/-	40
88701526	PKPU-KO 60/-	77	88702238	PKP-KOP	60	88702275	PKP-OE 60/-	40
88701530	PKPU-NK 60/-	78	88702239	PKP-KOP	32	88702276	PKP-OE 60/-	40



PROD. CODE	ITEM	PAGE
88702277	PKP-OEP	41
88702277	PKP-OEP	69
88702278	PKP-OEP	41
88702278	PKP-OEP	69
88702279	PKP-OEP	41
88702279	PKP-OEP	69
88702280	PKP-OEP	41
88702280	PKP-OEP	69
88702282	PKP-OE 60/-	40
88702283	PKP-OEP	41
88702283	PKP-OEP	69
88702284	PKP-KO 60/-	31
88702286	PKP-KO 60/-	31
88702288	PKP-OE 60/-	40
88702289	PKP-OE 60/-	40
88702290	PKP-ZRE 60/-	46
88702291	PKP-ZRE 60/-	46
88702297	PKP-ZRE 100/-	70
88702298	PKP-ZRE 100/-	70
88702300	PKP-RED 60/-	42
88702301	PKP-RED 60/-	42
88702302	PKP-RED 60/-	42
88702303	PKP-RED 60/-	42
88702304	PKP-RED 60/-	42
88702305	PKP-RED 60/-	42
88702310	PKP-REL 60/-	44
88702311	PKP-REL 60/-	44
88702312	PKP-REL 60/-	44
88702313	PKP-REL 60/-	44
88702314	PKP-REL 60/-	44
88702315	PKP-REL 60/-	44
88702316	PKP-ZK 60/-	27
88702317	PKP-ZKP	28
88702317	PKP-ZKP	56
88702318	PKP-ZKP	28
88702318	PKP-ZKP	56
88702319	PKP-NK 60/-	29
88702320	PKP-NK 60/-	29
88702321	PKP-NKP	30
88702321	PKP-NKP	58
88702322	PKP-NKP	30
88702322	PKP-NKP	58
88702323	NKP-VE 02	163
88702324	NKP-VE 01	162
88702324	PKP-VE 01 E90	187
88702325	NKP-VE 10	164
88702326	PKP-KOP	32
88702326	PKP-KOP	60
88702327	PKP-KOP	32

PROD. CODE	ITEM	PAGE
88702327	PKP-KOP	60
88702328	PKP-SOP	37
88702328	PKP-SOP	64
88702329	PKP-SOP	37
88702329	PKP-SOP	64
88702330	PKP-KR 60/-	38
88702331	PKP-KR 60/-	38
88702332	PKP-KRP	39
88702332	PKP-KRP	67
88702333	PKP-KRP	39
88702333	PKP-KRP	67
88702334	PKP-KO 60/-	33
88702335	PKP-KO 60/-	33
88702336	PKP-KOP	34
88702336	PKP-KOP	62
88702337	PKP-KOP	34
88702337	PKP-KOP	62
88702338	PKP-OEP	41
88702338	PKP-OEP	69
88702339	PKP-OEP	41
88702339	PKP-OEP	69
88702340	PKP-REDP	43
88702341	PKP-REDP	43
88702342	PKP-REDP	43
88702343	PKP-REDP	43
88702344	PKP-REDP	43
88702345	PKP-REDP	43
88702350	PKP-RELP	45
88702351	PKP-RELP	45
88702352	PKP-RELP	45
88702353	PKP-RELP	45
88702354	PKP-RELP	45
88702355	PKP-RELP	45
88702361	PKP-KO 60/-	31
88702371	PKP-KO 100/-	59
88702372	PKP-KO 100/-	59
88702373	PKP-KO 100/-	59
88702374	PKP-KO 100/-	59
88702375	PKP-KO 100/-	59
88702376	PKP-KO 100/-	59
88702381	PKP-KO 100/-	61
88702382	PKP-KO 100/-	61
88702383	PKP-KO 100/-	61
88702384	PKP-KO 100/-	61
88702385	PKP-KO 100/-	61
88702386	PKP-KO 100/-	61
88702390	PKP-SO 100/-	63
88702391	PKP-SO 100/-	63
88702392	PKP-SO 100/-	63

PROD. CODE	ITEM	PAGE
88702393	PKP-SO 100/-	63
88702394	PKP-SO 100/-	63
88702395	PKP-SO 100/-	63
88702396	PKP-SO 100/-	63
88702400	PKP-FS PL	160
88702401	PKP-FS UL	160
88702408	PKP-FS SNU	156
88702410	PKP-KO 60/-	35
88702411	PKP-KO 60/-	35
88702412	PKP-KO 60/-	35
88702413	PKP-KO 60/-	35
88702414	PKP-KO 60/-	35
88702415	PKP-KO 60/-	35
88702416	PKP-KO 60/-	35
88702417	PKP-KO 60/-	35
88702421	PKP-NK 100/-	57
88702422	PKP-NK 100/-	57
88702423	PKP-NK 100/-	57
88702424	PKP-NK 100/-	57
88702425	PKP-NK 100/-	57
88702426	PKP-NK 100/-	57
88702431	PKP-ZK 100/-	55
88702432	PKP-ZK 100/-	55
88702433	PKP-ZK 100/-	55
88702434	PKP-ZK 100/-	55
88702435	PKP-ZK 100/-	55
88702436	PKP-ZK 100/-	55
88702441	PKP-KR 100/-	66
88702442	PKP-KR 100/-	66
88702443	PKP-KR 100/-	66
88702444	PKP-KR 100/-	66
88702445	PKP-KR 100/-	66
88702446	PKP-KR 100/-	66
88702451	PKP-OE 100/-	68
88702452	PKP-OE 100/-	68
88702453	PKP-OE 100/-	68
88702454	PKP-OE 100/-	68
88702455	PKP-OE 100/-	68
88702456	PKP-OE 100/-	68
88702484	PKP-FS 100	72
88702485	PKP-GS 100	71
88702486	PKP-UFS 60	50
88702486	PKP-UFS 60	90
88702486	PKP-UFS 60	127
88702487	PKP-FS 60	49
88702488	PKP-GS 60	47
88702489	PKP-FS 60	49
88702490	PKP-GSH 60	48
88702491	PKP-GSH 60	48

PROD. CODE	ITEM	PAGE	PROD. CODE	ITEM	PAGE	PROD. CODE	ITEM	PAGE
88702492	PKP-GSH 100	72	88703332*	PKP-KO 60/-	31	88703366*	PKP-KOP	34
88702493	PKP-GSH 100	71	88703333*	PKP-KO 60/-	31	88703366*	PKP-KOP	62
88702501	PKP-PEK 60/-	78	88703334*	PKP-KO 60/-	31	88703367*	PKP-KOP	34
88702502	PKP-PEK 60/-	78	88703335*	PKP-KO 60/-	31	88703367*	PKP-KOP	62
88702503	PKP-PEK 60/-	78	88703336*	PKP-KOP	32	88703368*	PKP-KOP	34
88702504	PKP-PEK 60/-	78	88703336*	PKP-KOP	60	88703368*	PKP-KOP	62
88702505	PKP-PEK 60/-	78	88703337*	PKP-KOP	32	88703369*	PKP-KOP	34
88702506	PKP-PEK 60/-	78	88703337*	PKP-KOP	60	88703369*	PKP-KOP	62
88702507	PKP-PEK 60/-	78	88703338*	PKP-KOP	32	88703370*	PKP-KOP	34
88702508	PKP-PEK 60/-	78	88703338*	PKP-KOP	60	88703370*	PKP-KOP	62
88702509	PKP-PEK 60/-	78	88703339*	PKP-KOP	32	88703371*	PKP-GS 60	46
88702551	PKP-FJ 60/-	50	88703339*	PKP-KOP	60	88703372*	PKP-FS 60	49
88702552	PKP-FJ 60/-	50	88703340*	PKP-KOP	32	88703373*	PKP-OE 60/-	40
88702554	PKP-FJ 60/-	50	88703340*	PKP-KOP	60	88703374*	PKP-OE 60/-	40
88702555	PKP-FJ 60/-	50	88703341*	PKP-SO 60/-	36	88703375*	PKP-OE 60/-	40
88702556	PKP-FJ 60/-	50	88703342*	PKP-SO 60/-	36	88703376*	PKP-OE 60/-	40
88702562	PKP-SP1	83	88703343*	PKP-SO 60/-	36	88703377*	PKP-OEP	41
88703300*	PKP-ZK 60/-	27	88703344*	PKP-SO 60/-	36	88703377*	PKP-OEP	69
88703301*	PKP-ZK 60/-	27	88703345*	PKP-SO 60/-	36	88703378*	PKP-OEP	41
88703302*	PKP-ZK 60/-	27	88703346*	PKP-SOP	37	88703378*	PKP-OEP	69
88703303*	PKP-ZK 60/-	27	88703346*	PKP-SOP	64	88703379*	PKP-OEP	41
88703304*	PKP-ZK 60/-	27	88703347*	PKP-SOP	37	88703379*	PKP-OEP	69
88703305*	PKP-ZK 60/-	27	88703347*	PKP-SOP	64	88703380*	PKP-OEP	41
88703306*	PKP-ZKP	28	88703348*	PKP-SOP	37	88703380*	PKP-OEP	69
88703306*	PKP-ZKP	56	88703348*	PKP-SOP	64	88703382*	PKP-OE 60/-	40
88703307*	PKP-ZKP	28	88703349*	PKP-SOP	37	88703383*	PKP-OEP	41
88703307*	PKP-ZKP	56	88703349*	PKP-SOP	64	88703383*	PKP-OEP	69
88703308*	PKP-ZKP	28	88703350*	PKP-SOP	37	88703384*	PKP-KO 60/-	31
88703308*	PKP-ZKP	56	88703350*	PKP-SOP	64	88703385*	PKP-SO 60/-	36
88703309*	PKP-ZKP	28	88703351*	PKP-KR 60/-	38	88703386*	PKP-KO 60/-	31
88703309*	PKP-ZKP	56	88703352*	PKP-KR 60/-	38	88703387*	PKP-SO 60/-	36
88703310*	PKP-ZKP	28	88703353*	PKP-KR 60/-	38	88703388*	PKP-OE 60/-	40
88703310*	PKP-ZKP	56	88703354*	PKP-KR 60/-	38	88703389*	PKP-OE 60/-	40
88703311*	PKP-NK 60/-	29	88703355*	PKP-KR 60/-	38	88703390*	PKP-ZRE 60/-	46
88703312*	PKP-NK 60/-	29	88703356*	PKP-KRP	39	88703391*	PKP-ZRE 60/-	46
88703313*	PKP-NK 60/-	29	88703356*	PKP-KRP	67	88703417*	PKP-ZKP	28
88703314*	PKP-NK 60/-	29	88703357*	PKP-KRP	39	88703417*	PKP-ZKP	56
88703315*	PKP-NK 60/-	29	88703357*	PKP-KRP	67	88703418*	PKP-ZKP	28
88703316*	PKP-NKP	30	88703358*	PKP-KRP	39	88703418*	PKP-ZKP	56
88703316*	PKP-NKP	58	88703358*	PKP-KRP	67	88703419*	PKP-NK 60/-	29
88703317*	PKP-NKP	30	88703359*	PKP-KRP	39	88703420*	PKP-NK 60/-	29
88703317*	PKP-NKP	58	88703359*	PKP-KRP	67	88703421*	PKP-NKP	30
88703318*	PKP-NKP	30	88703360*	PKP-KRP	39	88703421*	PKP-NKP	58
88703318*	PKP-NKP	58	88703360*	PKP-KRP	67	88703422*	PKP-NKP	30
88703319*	PKP-NKP	30	88703361*	PKP-KO 60/-	33	88703422*	PKP-NKP	58
88703319*	PKP-NKP	58	88703362*	PKP-KO 60/-	33	88703423*	PKP-KOP	32
88703320*	PKP-NKP	30	88703363*	PKP-KO 60/-	33	88703423*	PKP-KOP	60
88703320*	PKP-NKP	58	88703364*	PKP-KO 60/-	33	88703424*	PKP-KOP	32
88703331*	PKP-KO 60/-	31	88703365*	PKP-KO 60/-	33	88703424*	PKP-KOP	60





PROD. CODE	ITEM	PAGE
88703428*	PKP-SOP	37
88703428*	PKP-SOP	64
88703429*	PKP-SOP	37
88703429*	PKP-SOP	64
88703434*	PKP-KO 60/-	33
88703435*	PKP-KO 60/-	33
88703436*	PKP-KOP	34
88703436*	PKP-KOP	62
88703437*	PKP-KOP	34
88703437*	PKP-KOP	62
88703500*	PKP-FS PL	160
88703501*	PKP-FS UL	160
88703503*	NKP-VTN	157
88703510*	PKP-KO 60/-	35
88703511*	PKP-KO 60/-	35
88703512*	PKP-KO 60/-	35
88703513*	PKP-KO 60/-	35
88703514*	PKP-KO 60/-	35
88703515*	PKP-KO 60/-	35
88703516*	PKP-KO 60/-	35
88703517*	PKP-KO 60/-	35
88704100	NKP-SNL	139
88704101	NKP-SNL	139
88704102	NKP-SNL	139
88704103	NKP-SNL	139
88704104	NKP-SNV	143
88704105	NKP-SNV	143
88704106	NKP-SNV	143
88704107	NKP-SNV	143
88704108	NKP-SNV	143
88704109	NKP-VN	145
88704110	NKP-VN	145
88704112	NKP-VNU	146
88704113	NKP-VNU	146
88704114	NKP-VNU	146
88704115	NKP-VNV	148
88704116	NKP-VNV	148
88704117	NKP-VNV	148
88704118	NKP-VNV	148
88704119	NKP-VNV	148
88704120	NKP-VNV	148
88704121	NKP-VNV	148
88704122	NKP-VNV	148
88704123	NKP-VN	145
88704126	NKP-VN1M8 50	146
88704127	NKP-VN2M8 50	146
88704130	NKP-TN	158
88704131	NKP-TN	158
88704132	NKP-TN	158

PROD. CODE	ITEM	PAGE
88704133	NKP-TN	158
88704134	NKP-TN	158
88704135	NKP-TN	158
88704136	NKP-TN	158
88704139	NKP-NK	159
88704140	NKP-SNT	91
88704140	NKP-SNT	142
88704141	NKP-SNT	91
88704141	NKP-SNT	142
88704142	NKP-SNT	91
88704142	NKP-SNT	142
88704143	NKP-SNT	91
88704143	NKP-SNT	142
88704144	NKP-SNT	91
88704144	NKP-SNT	142
88704145	NKP-SNT	91
88704145	NKP-SNT	142
88704146	NKP-SNT	91
88704146	NKP-SNT	142
88704151	NKP-SNU	155
88704153	NKP-SNU	155
88704154	NKP-SNU	155
88704155	NKP-SNU	155
88704156	NKP-SNU	155
88704157	NKP-SNP	156
88704158	NKP-PL	160
88704173	NKP-UL 24/35/2000	159
88704181	NKP-SNTD	144
88704182	NKP-SNTD	144
88704183	NKP-SNTD	144
88704200	NKP-SNL	139
88704201	NKP-SNL	139
88704202	NKP-SNL	139
88704204	NKP-SNV	143
88704205	NKP-SNV	143
88704206	NKP-SNV	143
88704207	NKP-SNV	143
88704208	NKP-SNV	143
88704209	NKP-VN	145
88704210	NKP-VN	145
88704212	NKP-VNU	146
88704213	NKP-VNU	146
88704215	NKP-SNV	143
88704219	NKP-VNV	148
88704220	NKP-VNV	148
88704221	NKP-VNV	148
88704222	NKP-VNV	148
88704223	NKP-VNV	148
88704224	NKP-VNV	148

PROD. CODE	ITEM	PAGE
88704225	NKP-VNV	148
88704226	NKP-VNV	148
88704227	NKP-VN	145
88704230	NKP-TN	158
88704231	NKP-TN	158
88704232	NKP-TN	158
88704233	NKP-TN	158
88704234	NKP-TN	158
88704235	NKP-TN	158
88704236	NKP-TN	158
88704239	NKP-NK	159
88704240	NKP-SNT	91
88704240	NKP-SNT	142
88704241	NKP-SNT	91
88704241	NKP-SNT	142
88704242	NKP-SNT	91
88704242	NKP-SNT	142
88704243	NKP-SNT	91
88704243	NKP-SNT	142
88704244	NKP-SNT	91
88704244	NKP-SNT	142
88704245	NKP-SNT	91
88704245	NKP-SNT	142
88704246	NKP-SNT	91
88704246	NKP-SNT	142
88704251	NKP-SNU	155
88704252	NKP-SNU	155
88704253	NKP-SNU	155
88704254	NKP-SNU	155
88704255	NKP-SNU	155
88704256	NKP-SNU	155
88704257	NKP-SNP	156
88704258	NKP-PL	160
88704273	NKP-UL 24/35/2000	159
88704281	NKP-SNTD	144
88704282	NKP-SNTD	144
88704283	NKP-SNTD	144
88704300*	NKP-SNL	139
88704301*	NKP-SNL	139
88704302*	NKP-SNL	139
88704304*	NKP-SNV	143
88704305*	NKP-SNV	143
88704306*	NKP-SNV	143
88704307*	NKP-SNV	143
88704308*	NKP-SNV	143
88704309*	NKP-VN	145
88704310*	NKP-VN	145
88704312*	NKP-VNU	146
88704313*	NKP-VNU	146

PROD. CODE	ITEM	PAGE	PROD. CODE	ITEM	PAGE	PROD. CODE	ITEM	PAGE
88704315*	NKP-VN	145	88704421*	PKP-NKP	30	88704462*	PKP-KO 60/-	33
88704316*	NKP-SNV	143	88704421*	PKP-NKP	58	88704463*	PKP-KO 60/-	33
88704339*	NKP-NK	159	88704422*	PKP-NKP	30	88704464*	PKP-KO 60/-	33
88704340*	NKP-SNT	91	88704422*	PKP-NKP	58	88704465*	PKP-KO 60/-	33
88704340*	NKP-SNT	142	88704423*	PKP-NK 60/-	29	88704466*	PKP-KO 60/-	33
88704341*	NKP-SNT	91	88704424*	PKP-NK 60/-	29	88704471*	PKP-GS 60	46
88704341*	NKP-SNT	142	88704425*	PKP-NK 60/-	29	88704472*	PKP-FS 60	49
88704342*	NKP-SNT	91	88704426*	PKP-NK 60/-	29	88704473*	PKP-OE 60/-	40
88704342*	NKP-SNT	142	88704427*	PKP-NK 60/-	29	88704474*	PKP-OE 60/-	40
88704343*	NKP-SNT	91	88704428*	PKP-NK 60/-	29	88704475*	PKP-OE 60/-	40
88704343*	NKP-SNT	142	88704429*	PKP-NK 60/-	29	88704476*	PKP-OE 60/-	40
88704344*	NKP-SNT	91	88704430*	PKP-KO 60/-	31	88704477*	PKP-OEP	41
88704344*	NKP-SNT	142	88704431*	PKP-KO 60/-	31	88704477*	PKP-OEP	69
88704345*	NKP-SNT	91	88704432*	PKP-KO 60/-	31	88704478*	PKP-OEP	41
88704345*	NKP-SNT	142	88704433*	PKP-KO 60/-	31	88704478*	PKP-OEP	69
88704346*	NKP-SNT	91	88704434*	PKP-KO 60/-	31	88704479*	PKP-OEP	41
88704346*	NKP-SNT	142	88704435*	PKP-KO 60/-	31	88704479*	PKP-OEP	69
88704350*	NKP-SNU	155	88704436*	PKP-KOP	32	88704480*	PKP-OEP	41
88704353*	NKP-SNU	155	88704436*	PKP-KOP	60	88704480*	PKP-OEP	69
88704354*	NKP-SNU	155	88704437*	PKP-KOP	32	88704482*	PKP-OE 60/-	40
88704355*	NKP-SNU	155	88704437*	PKP-KOP	60	88704483*	PKP-OEP	41
88704356*	NKP-SNU	155	88704438*	PKP-KOP	32	88704483*	PKP-OEP	69
88704357*	NKP-SNP	156	88704438*	PKP-KOP	60	88704484*	PKP-KOP	32
88704358*	NKP-PL	160	88704439*	PKP-KOP	32	88704484*	PKP-KOP	60
88704373*	NKP-UL 24/35/2000	159	88704439*	PKP-KOP	60	88704485*	PKP-SO 60/-	36
88704400*	NKP-SNL	139	88704440*	PKP-KOP	32	88704486*	PKP-KO 60/-	31
88704401*	NKP-SNL	139	88704440*	PKP-KOP	60	88704487*	PKP-SO 60/-	36
88704402*	NKP-SNL	139	88704441*	PKP-SO 60/-	36	88704488*	PKP-OE 60/-	40
88704404*	NKP-SNV	143	88704442*	PKP-SO 60/-	36	88704489*	PKP-OE 60/-	40
88704405*	NKP-SNV	143	88704443*	PKP-SO 60/-	36	88704490*	PKP-ZRE 60/-	46
88704406*	NKP-SNV	143	88704444*	PKP-SO 60/-	36	88704491*	PKP-ZRE 60/-	46
88704407*	NKP-SNV	143	88704445*	PKP-SO 60/-	36	88704492*	PKP-KOP	32
88704408*	NKP-SNV	143	88704446*	PKP-SOP	37	88704492*	PKP-KOP	60
88704409*	NKP-SNV	143	88704446*	PKP-SOP	64	88704493*	PKP-SOP	37
88704410*	NKP-VN	145	88704447*	PKP-SOP	37	88704493*	PKP-SOP	37
88704411*	NKP-VN	145	88704447*	PKP-SOP	64	88704493*	PKP-SOP	64
88704412*	NKP-VNU	146	88704448*	PKP-SOP	37	88704493*	PKP-SOP	64
88704413*	NKP-VNU	146	88704448*	PKP-SOP	64	88704500	NKP-SNV	143
88704415*	NKP-VN	145	88704449*	PKP-SOP	37	88704600	NKP-SNL	139
88704416*	PKP-NKP	30	88704449*	PKP-SOP	64	88704601	NKP-SNL	139
88704416*	PKP-NKP	58	88704450*	PKP-SOP	37	88704602	NKP-SNL	139
88704417*	PKP-NKP	30	88704450*	PKP-SOP	64	88704603	NKP-SNL	139
88704417*	PKP-NKP	58	88704451*	PKP-KR 60/-	38	88704604	NKP-SNV	143
88704418*	PKP-NKP	30	88704452*	PKP-KR 60/-	38	88704605	NKP-SNV	143
88704418*	PKP-NKP	58	88704453*	PKP-KR 60/-	38	88704606	NKP-SNV	143
88704419*	PKP-NKP	30	88704454*	PKP-KR 60/-	38	88704607	NKP-SNV	143
88704419*	PKP-NKP	58	88704455*	PKP-KR 60/-	38	88704608	NKP-SNV	143
88704420*	PKP-NKP	30	88704460*	PKP-KO 60/-	33	88704609	NKP-SNV	143
88704420*	PKP-NKP	58	88704461*	PKP-KO 60/-	33	88704611	NKP-VN	145



PROD. CODE	ITEM	PAGE
88704612	NKP-VN	145
88704612	NKP-VNU	146
88704613	NKP-VNU	146
88704614	NKP-VNU	146
88704615	NKP-VN	145
88704619*	NKP-VNV	148
88704620*	NKP-VNV	148
88704621*	NKP-VNV	148
88704622*	NKP-VNV	148
88704623*	NKP-VNV	148
88704624*	NKP-VNV	148
88704625*	NKP-VNV	148
88704626*	NKP-VNV	148
88704630	NKP-TN	158
88704631	NKP-TN	158
88704632	NKP-TN	158
88704633	NKP-TN	158
88704634	NKP-TN	158
88704635	NKP-TN	158
88704636	NKP-TN	158
88704639	NKP-NK	159
88704640	NKP-SNT	91
88704640	NKP-SNT	142
88704641	NKP-SNT	91
88704641	NKP-SNT	142
88704642	NKP-SNT	91
88704642	NKP-SNT	142
88704643	NKP-SNT	91
88704643	NKP-SNT	142
88704643	NKP-SNT	142
88704644	NKP-SNT	91
88704644	NKP-SNT	142
88704645	NKP-SNT	91
88704645	NKP-SNT	142
88704646	NKP-SNT	91
88704646	NKP-SNT	142
88704651	NKP-SNU	155
88704653	NKP-SNU	155
88704654	NKP-SNU	155
88704655	NKP-SNU	155
88704656	NKP-SNU	155
88704657	NKP-SNP	156
88704658	NKP-PL	160
88704659	NKP-SNL 45x45	139
88704673	NKP-UL 24/35/2000	159
88704681	NKP-SNTD	144
88704682	NKP-SNTD	144
88704683	NKP-SNTD	144
88704719*	NKP-VNV	148
88704720*	NKP-VNV	148

PROD. CODE	ITEM	PAGE
88704721*	NKP-VNV	148
88704722*	NKP-VNV	148
88704723*	NKP-VNV	148
88704724*	NKP-VNV	148
88704725*	NKP-VNV	148
88704726*	NKP-VNV	148
88704730*	NKP-TN	158
88704731*	NKP-TN	158
88704732*	NKP-TN	158
88704733*	NKP-TN	158
88704734*	NKP-TN	158
88704735*	NKP-TN	158
88704736*	NKP-VE 10	164
88704737*	NKP-VE 02	163
88704738*	NKP-VE 01	162
88704739*	NKP-NK	159
88704740*	NKP-SNT	91
88704740*	NKP-SNT	142
88704741*	NKP-SNT	91
88704741*	NKP-SNT	142
88704742*	NKP-SNT	91
88704742*	NKP-SNT	142
88704743*	NKP-SNT	91
88704743*	NKP-SNT	142
88704743*	NKP-SNT	142
88704744*	NKP-SNT	91
88704744*	NKP-SNT	142
88704745*	NKP-SNT	91
88704745*	NKP-SNT	142
88704746*	NKP-SNT	91
88704746*	NKP-SNT	142
88704751*	NKP-SNU	155
88704753*	NKP-SNU	155
88704754*	NKP-SNU	155
88704755*	NKP-SNU	155
88704756*	NKP-SNU	155
88704757*	NKP-SNP	156
88704758*	NKP-PL	160
88704759	NKP-SNPN	157
88704773*	NKP-UL 24/35/2000	159
88704780*	NKP-TN	158
88704781*	NKP-SNTD	144
88704782*	NKP-SNTD	144
88704783*	NKP-SNTD	144
88704791*	NKP-VNU/OMEGA	147
88704792*	NKP-VNU/OMEGA	147
88704793*	NKP-VNU/OMEGA	147
88704794*	NKP-VNU/OMEGA	147
88704795*	NKP-VNU/OMEGA	147
88704796*	NKP-VNU/OMEGA	147

PROD. CODE	ITEM	PAGE
88705100	PPKP - M6X12, PPKP-M6X20 and PPKP-M8X16	169
88705100	PPKP - M6x12	192
88705101	PPKP-M6,	170
88705101	PPKP-M6	192
88705102	PPKP-M10X70	171
88705103	PPKP-M8 and PPKP-M10	172
88705104	PPKP-M8 and PPKP-M10	172
88705104	PPKP - M8	194
88705105	PPKP-M6x..., PPKP-M8x..., PPKP-M10x...	173
88705105	PPKP - M8x1000	195
88705106	PPKP-M8X60,	172
88705107	PPKP-M8X16, PPKP-M8X25 and PPKP-M10X25	169
88705107	PPKP - M8x16	192
88705108	PPKP-M8X16, PPKP-M8X25 and PPKP-M10X25	169
88705108	PPKP - M10x25	193
88705109	PPKP-M6,	170
88705109	PPKP-M10	193
88705110	PPKP-M8X60,	172
88705112	PPKP-M6,	170
88705112	PPKP-M8	193
88705113	PPKP-M8 and PPKP-M10	172
88705114	PPKP-M6x..., PPKP-M8x..., PPKP-M10x...	173
88705114	PPKP - M10x1000	195
88705115	PPKP - M8,	174
88705117	PPKP-M8 and PPKP-M10	172
88705117	PPKP - M10	195
88705118	PPKP-M8X70	170
88705119	PPKP - M8,	174
88705122*	PPKP-M6x..., PPKP-M8x..., PPKP-M10x...	173
88705123*	PPKP-M6x..., PPKP-M8x..., PPKP-M10x...	173
88705124*	PPKP-M6x..., PPKP-M8x..., PPKP-M10x...	173
88705125	PPKP-M6x..., PPKP-M8x..., PPKP-M10x...	173
88705126	PPKP-M6x..., PPKP-M8x..., PPKP-M10x...	173
88705127	PPKP-M8 and PPKP-M10	170
88705128	PPKP-M8X16, PPKP-M8X25 and PPKP-M10X25	169
88705129	PPKP-M8 and PPKP-M10	172
88705130	PPKP - M8x60	174
88705131	PPKP - M8x60	174
88705133	PPKP - M6X12, PPKP-M6X20 and PPKP-M8X16	169
88705134	PPKP-M8 and PPKP-M10	170

PROD. CODE	ITEM	PAGE	PROD. CODE	ITEM	PAGE	PROD. CODE	ITEM	PAGE
88705137	PPKP - M6X12, PPKP-M6X20 and PPKP-M8X16	169	88706125	PPKP-M6x..., PPKP-M8x..., PPKP-M10x...	173	88706504	ZP-41/21	161
88705141	PPKP - M6X12, PPKP-M6X20 and PPKP-M8X16	169	88706126	PPKP-M6x..., PPKP-M8x..., PPKP-M10x...	173	88706505	ZP-VNV/SNU	156
88705200	PPKP-12/60	171	88706127	PPKP-M8 and PPKP-M10	170	88706600	PKP-RED 60/-	42
88705201	ZP RT -	174	88706128	PPKP-M8X16, PPKP-M8X25 and PPKP-M10X25	169	88706601	PKP-RED 60/-	42
88705202	ZP RT -	174	88706129	PPKP-M8 and PPKP-M10	172	88706602	PKP-RED 60/-	42
88705203	PPKP-10/60	171	88706130	PPKP - M8x60	174	88706603	PKP-RED 60/-	42
88705510	NKP-SNTL	141	88706131	PPKP - M8x60	174	88706604	PKP-RED 60/-	42
88705511	NKP-SNTL	141	88706133	PPKP - M6X12, PPKP-M6X20 and PPKP-M8X16	169	88706605	PKP-RED 60/-	42
88705512	NKP-SNTL	141	88706134	PPKP-M8 and PPKP-M10	170	88706610	PKP-REL 60/-	44
88705513	NKP-SNTL	141	88706137	PPKP - M6X12, PPKP-M6X20 and PPKP-M8X16	169	88706611	PKP-REL 60/-	44
88706100	PPKP - M6X12, PPKP-M6X20 and PPKP-M8X16	169	88706141	PPKP - M6X12, PPKP-M6X20 and PPKP-M8X16	169	88706612	PKP-REL 60/-	44
88706100	PPKP - M6x12	192	88706400*	PPKP - M6X12, PPKP-M6X20 and PPKP-M8X16	169	88706613	PKP-REL 60/-	44
88706101	PPKP-M6,	170	88706400	PPKP - M6x12	192	88706614	PKP-REL 60/-	44
88706101	PPKP-M6	192	88706401*	PPKP-M6,	170	88706615	PKP-REL 60/-	44
88706102	PPKP-M10X70	171	88706401	PPKP-M6	192	88706620	PKP-ZK 60/-	27
88706103	PPKP-M8 and PPKP-M10	172	88706402*	PPKP-M10X70	171	88706621	PKP-ZK 60/-	27
88706104	PPKP-M8 and PPKP-M10	172	88706403*	PPKP-M8 and PPKP-M10	172	88706622	PKP-ZK 60/-	27
88706104	PPKP - M8	194	88706405*	PPKP-M6x..., PPKP-M8x..., PPKP-M10x...	173	88706623	PKP-ZK 60/-	27
88706105	PPKP-M6x..., PPKP-M8x..., PPKP-M10x...	173	88706407*	PPKP-M8X16, PPKP-M8X25 and PPKP-M10X25	169	88706624	PKP-ZK 60/-	27
88706105	PPKP - M8x1000	195	88706407	PPKP - M8x16	192	88706625	PKP-ZK 60/-	27
88706106	PPKP-M8X60,	172	88706408*	PPKP-M8X16, PPKP-M8X25 and PPKP-M10X25	169	88706626	PKP-ZK 60/-	27
88706107	PPKP-M8X16, PPKP-M8X25 and PPKP-M10X25	169	88706408	PPKP - M10x25	193	88706630	PKP-KO 60/-	31
88706107	PPKP - M8x16	192	88706409*	PPKP-M6,	170	88706631	PKP-KO 60/-	31
88706108	PPKP-M8X16, PPKP-M8X25 and PPKP-M10X25	169	88706409	PPKP-M10	193	88706632	PKP-KO 60/-	31
88706108	PPKP - M10x25	193	88706410*	PPKP-M8X60,	172	88706633	PKP-KO 60/-	31
88706109	PPKP-M6,	170	88706412*	PPKP-M6,	170	88706634	PKP-KO 60/-	31
88706109	PPKP-M10	193	88706412	PPKP-M8	193	88706635	PKP-KO 60/-	31
88706110	PPKP-M8X60,	172	88706413*	PPKP-M8 and PPKP-M10	172	88706636	PKP-KO 60/-	31
88706112	PPKP-M6,	170	88706414*	PPKP-M6x..., PPKP-M8x..., PPKP-M10x...	173	88706641	PKP-SO 60/-	36
88706112	PPKP-M8	193	88706418*	PPKP-M8X70	170	88706642	PKP-SO 60/-	36
88706113	PPKP-M8 and PPKP-M10	172	88706427*	PPKP-M8 and PPKP-M10	170	88706643	PKP-SO 60/-	36
88706114	PPKP-M6x..., PPKP-M8x..., PPKP-M10x...	173	88706428*	PPKP-M8X16, PPKP-M8X25 and PPKP-M10X25	169	88706644	PKP-SO 60/-	36
88706114	PPKP - M10x1000	195	88706429*	PPKP-M8 and PPKP-M10	172	88706645	PKP-SO 60/-	36
88706115	PPKP - M8,	174	88706433*	PPKP - M6X12, PPKP-M6X20 and PPKP-M8X16	169	88706646	PKP-SO 60/-	36
88706117	PPKP-M8 and PPKP-M10	172	88706434*	PPKP-M8 and PPKP-M10	170	88706650	PKP-KR 60/-	38
88706117	PPKP - M10	195	88706437*	PPKP - M6X12, PPKP-M6X20 and PPKP-M8X16	169	88706651	PKP-KR 60/-	38
88706118	PPKP-M8X70	170	88706441*	PPKP - M6X12, PPKP-M6X20 and PPKP-M8X16	169	88706652	PKP-KR 60/-	38
88706119	PPKP - M8,	174	88706502	ZP-OMEGA	147	88706653	PKP-KR 60/-	38
88706122*	PPKP-M6x..., PPKP-M8x..., PPKP-M10x...	173	88706503	ZP-41/21	161	88706654	PKP-KR 60/-	38
88706123*	PPKP-M6x..., PPKP-M8x..., PPKP-M10x...	173				88706655	PKP-KR 60/-	38
88706124*	PPKP-M6x..., PPKP-M8x..., PPKP-M10x...	173				88706656	PKP-KR 60/-	38
						88706660	PKP-KO 60/-	33
						88706661	PKP-KO 60/-	33
						88706662	PKP-KO 60/-	33
						88706663	PKP-KO 60/-	33
						88706664	PKP-KO 60/-	33
						88706665	PKP-KO 60/-	33
						88706666	PKP-KO 60/-	33
						88706671	PKP-GS 60	46



PROD. CODE	ITEM	PAGE
88706672	PKP-FS 60	49
88706673	PKP-OE 60/-	40
88706674	PKP-OE 60/-	40
88706675	PKP-OE 60/-	40
88706676	PKP-OE 60/-	40
88706682	PKP-OE 60/-	40
88706687	PKP-SO 60/-	36
88706688	PKP-OE 60/-	40
88706689	PKP-OE 60/-	40
88706690	PKP-NK 60/-	29
88706691	PKP-NK 60/-	29
88706692	PKP-NK 60/-	29
88706693	PKP-NK 60/-	29
88706694	PKP-NK 60/-	29
88706695	PKP-NK 60/-	29
88706696	PKP-NK 60/-	29
88706700	PKP-ZRE 60/-	46
88706701	PKP-ZRE 60/-	46
88706707	PKP-ZRE 100/-	70
88706708	PKP-ZRE 100/-	70
88706710	PKP-ZKP	28
88706710	PKP-ZKP	56
88706711	PKP-ZKP	28
88706711	PKP-ZKP	56
88706712	PKP-ZKP	28
88706712	PKP-ZKP	56
88706713	PKP-ZKP	28
88706713	PKP-ZKP	56
88706714	PKP-ZKP	28
88706714	PKP-ZKP	56
88706715	PKP-ZKP	28
88706715	PKP-ZKP	56
88706716	PKP-ZKP	28
88706716	PKP-ZKP	56
88706723	NKP-VE 02	163
88706724	NKP-VE 01	162
88706725	NKP-VE 10	164
88706730	PKP-NKP	30
88706730	PKP-NKP	58
88706731	PKP-NKP	30
88706731	PKP-NKP	58
88706732	PKP-NKP	30
88706732	PKP-NKP	58
88706733	PKP-NKP	30
88706733	PKP-NKP	58
88706734	PKP-NKP	30
88706734	PKP-NKP	58
88706735	PKP-NKP	30
88706735	PKP-NKP	58

PROD. CODE	ITEM	PAGE
88706736	PKP-NKP	30
88706736	PKP-NKP	58
88706740	PKP-KOP	32
88706740	PKP-KOP	60
88706741	PKP-KOP	32
88706741	PKP-KOP	60
88706742	PKP-KOP	32
88706742	PKP-KOP	60
88706743	PKP-KOP	32
88706743	PKP-KOP	60
88706744	PKP-KOP	32
88706744	PKP-KOP	60
88706745	PKP-KOP	32
88706745	PKP-KOP	60
88706746	PKP-KOP	32
88706746	PKP-KOP	60
88706750	PKP-KOP	34
88706750	PKP-KOP	62
88706751	PKP-KOP	34
88706751	PKP-KOP	62
88706752	PKP-KOP	34
88706752	PKP-KOP	62
88706753	PKP-KOP	34
88706753	PKP-KOP	62
88706754	PKP-KOP	34
88706754	PKP-KOP	62
88706755	PKP-KOP	34
88706755	PKP-KOP	62
88706756	PKP-KOP	34
88706756	PKP-KOP	62
88706760	PKP-SOP	37
88706760	PKP-SOP	64
88706761	PKP-SOP	37
88706761	PKP-SOP	64
88706762	PKP-SOP	37
88706762	PKP-SOP	64
88706763	PKP-SOP	37
88706763	PKP-SOP	64
88706764	PKP-SOP	37
88706764	PKP-SOP	64
88706765	PKP-SOP	37
88706765	PKP-SOP	64
88706766	PKP-SOP	37
88706766	PKP-SOP	64
88706770	PKP-KRP	39
88706770	PKP-KRP	67
88706771	PKP-KRP	39
88706771	PKP-KRP	67
88706772	PKP-KRP	39

PROD. CODE	ITEM	PAGE
88706772	PKP-KRP	67
88706773	PKP-KRP	39
88706773	PKP-KRP	67
88706774	PKP-KRP	39
88706774	PKP-KRP	67
88706775	PKP-KRP	39
88706775	PKP-KRP	67
88706776	PKP-KRP	39
88706776	PKP-KRP	67
88706777	PKP-OEP	41
88706777	PKP-OEP	69
88706778	PKP-OEP	41
88706778	PKP-OEP	69
88706779	PKP-OEP	41
88706779	PKP-OEP	69
88706780	PKP-OEP	41
88706780	PKP-OEP	69
88706781	PKP-OEP	41
88706781	PKP-OEP	69
88706782	PKP-OEP	41
88706782	PKP-OEP	69
88706783	PKP-OEP	41
88706783	PKP-OEP	69
88706784	PKP-REDP	43
88706785	PKP-REDP	43
88706786	PKP-REDP	43
88706787	PKP-REDP	43
88706788	PKP-REDP	43
88706789	PKP-REDP	43
88706790	PKP-RELP	45
88706791	PKP-RELP	45
88706792	PKP-RELP	45
88706793	PKP-RELP	45
88706794	PKP-RELP	45
88706795	PKP-RELP	45
88706798	PKP-FS 100	72
88706799	PKP-GS 100	71
88706800	PKP-FS PL	160
88706801	PKP-FS UL	160
88706802	PKP-UFS 60	50
88706802	PKP-UFS 60	90
88706802	PKP-UFS 60	127
88706803	PKP-FS 60	49
88706808	PKP-FS SNU	156
88706810	PKP-KO 60/-	35
88706811	PKP-KO 60/-	35
88706812	PKP-KO 60/-	35
88706813	PKP-KO 60/-	35
88706814	PKP-KO 60/-	35

PROD. CODE	ITEM	PAGE	PROD. CODE	ITEM	PAGE	PROD. CODE	ITEM	PAGE
88706815	PKP-KO 60/-	35	88706945	PKP-PEK 60/-	78	88707161	NKP-SNV HD	136
88706816	PKP-KO 60/-	35	88706946	PKP-PEK 60/-	78	88707162	NKP-SNV HD	136
88706817	PKP-KO 60/-	35	88706947	PKP-PEK 60/-	78	88707163	NKP-SNV HD	136
88706871	PKP-KO 100/-	59	88706948	PKP-PEK 60/-	78	88707164	NKP-SNV HD	136
88706872	PKP-KO 100/-	59	88706949	PKP-PEK 60/-	78	88707165	NKP-SNV HD	136
88706873	PKP-KO 100/-	59	88706962	PKP-SP1	83	88707166	NKP-SNV HD	136
88706874	PKP-KO 100/-	59	88707100	NKP-SNU/P	151	88707167	NKP-SNV HD	136
88706875	PKP-KO 100/-	59	88707101	NKP-SNU/P	151	88707168	NKP-SNV HD	136
88706876	PKP-KO 100/-	59	88707102	NKP-SNU/P	151	88707169	NKP-SNV HD	136
88706881	PKP-KO 100/-	61	88707103	NKP-SNU/P	151	88707171	NKP-SNL/OMEGA	140
88706882	PKP-KO 100/-	61	88707104	NKP-SNU/P	151	88707172	NKP-SNL/OMEGA	140
88706883	PKP-KO 100/-	61	88707105	NKP-SNU/P	151	88707173	NKP-SNL/OMEGA	140
88706884	PKP-KO 100/-	61	88707106	NKP-SNU/P	151	88707174	NKP-SNL/OMEGA	140
88706885	PKP-KO 100/-	61	88707107	NKP-SNU/P	151	88707175	NKP-SNL/OMEGA	140
88706886	PKP-KO 100/-	61	88707113	NKP-VTN	157	88707176	NKP-SNL/OMEGA	140
88706891	PKP-SO 100/-	63	88707114	NKP-VE 02A	163	88707181	NKP-VNU/OMEGA	147
88706892	PKP-SO 100/-	63	88707115	NKP-C 41/21	161	88707182	NKP-VNU/OMEGA	147
88706893	PKP-SO 100/-	63	88707115	NKP-C 41/21	187	88707183	NKP-VNU/OMEGA	147
88706894	PKP-SO 100/-	63	88707116	NKP-C 41/21	161	88707184	NKP-VNU/OMEGA	147
88706895	PKP-SO 100/-	63	88707117	NKP-VE 11C	165	88707185	NKP-VNU/OMEGA	147
88706896	PKP-SO 100/-	63	88707118	NKP-VE 11C/OMEGA	165	88707186	NKP-VNU/OMEGA	147
88706901	PKP-NK 100/-	57	88707119	NKP-VE 10A	164	88707190	NKP-NKS	159
88706902	PKP-NK 100/-	57	88707120	NKP-UL/P	153	88707191	NKP-VE 11D/OMEGA	163
88706903	PKP-NK 100/-	57	88707121	NKP-UL/P	153	88707200	NKP-OB2	145
88706904	PKP-NK 100/-	57	88707122	NKP-UL/P	153	88707201	NKP-OB2	145
88706905	PKP-NK 100/-	57	88707123	NKP-UL/P	153	88707202	NKP-ND	167
88706906	PKP-NK 100/-	57	88707124	NKP-UL/P	153	88707203	NKP-VE 10 HD	164
88706911	PKP-ZK 100/-	55	88707125	NKP-UL/P	153	88707204	NKP-VTN M10	157
88706912	PKP-ZK 100/-	55	88707126	NKP-UL/P	153	88707205	NKP-SNL 45x45	139
88706913	PKP-ZK 100/-	55	88707127	NKP-UL/P	153	88707206	NKP-C 41/21	161
88706914	PKP-ZK 100/-	55	88707129	NKP-UL/P	153	88707207	NKP-C 41/21	161
88706915	PKP-ZK 100/-	55	88707130	NKP-DUL/P	154	88707208	NKP-C 41/21	161
88706916	PKP-ZK 100/-	55	88707131	NKP-DUL/P	154	88707240	NKP-U Holder 41-M10	165
88706921	PKP-KR 100/-	66	88707132	NKP-DUL/P	154	88707241	NKP-U Holder TCS 0 M8/M10	166
88706922	PKP-KR 100/-	66	88707133	NKP-DUL/P	154	88707242	NKP-Holding bracket B 41/10	166
88706923	PKP-KR 100/-	66	88707134	NKP-DUL/P	154	88707243	NKP-T Head boltHZ41 M10x55	166
88706924	PKP-KR 100/-	66	88707135	NKP-DUL/P	154	88707244	NKP-Channel Nut C M10 41mm	167
88706925	PKP-KR 100/-	66	88707136	NKP-DUL/P	154	88707245	NKP-Speed Nut CC HZ41 M10-vzmet	167
88706926	PKP-KR 100/-	66	88707137	NKP-DUL/P	154	88707262	NKP-DH 40-	149
88706931	PKP-OE 100/-	68	88707139	NKP-DUL/P	154	88707263	NKP-DH 40-	149
88706932	PKP-OE 100/-	68	88707145	NKP-NKM 35	93	88707264	NKP-DH 40-	149
88706933	PKP-OE 100/-	68	88707146	NKP-NKM 60	93	88707265	NKP-DH 40-	149
88706934	PKP-OE 100/-	68	88707147	NKP-NKMA 60/50	93	88707266	NKP-DH 40-	149
88706935	PKP-OE 100/-	68	88707151	NKP-SNTM	92	88707267	NKP-DH 40-	149
88706936	PKP-OE 100/-	68	88707152	NKP-SNTM	92	88707268	NKP-DH 40-	149
88706941	PKP-PEK 60/-	78	88707153	NKP-SNTM	92	88707269	NKP-DH 40-	149
88706942	PKP-PEK 60/-	78	88707154	NKP-SNTM	92			
88706943	PKP-PEK 60/-	78	88707155	NKP-SNTM	92			
88706944	PKP-PEK 60/-	78	88707156	NKP-SNTM	92			



PROD. CODE	ITEM	PAGE	PROD. CODE	ITEM	PAGE	PROD. CODE	ITEM	PAGE
88707270	NKP-DH 40-	149	88708226	NKP-UL/P	153	88708365	NKP-SNPN	157
88707272	NKP-DH 40-	149	88708230	NKP-DUL/P	154	88708800	NKP-SNU/P	151
88707282	NKP-DH 57-	150	88708231	NKP-DUL/P	154	88708801	NKP-SNU/P	151
88707283	NKP-DH 57-	150	88708232	NKP-DUL/P	154	88708802	NKP-SNU/P	151
88707284	NKP-DH 57-	150	88708233	NKP-DUL/P	154	88708803	NKP-SNU/P	151
88707285	NKP-DH 57-	150	88708234	NKP-DUL/P	154	88708804	NKP-SNU/P	151
88707286	NKP-DH 57-	150	88708235	NKP-DUL/P	154	88708805	NKP-SNU/P	151
88707287	NKP-DH 57-	150	88708236	NKP-DUL/P	154	88708806	NKP-SNU/P	151
88707288	NKP-DH 57-	150	88708245	NKP-NKM 35	93	88708807	NKP-SNU/P	151
88707289	NKP-DH 57-	150	88708246	NKP-NKM 60	93	88709400*	NKP-SNU/P	151
88707290	NKP-DH 57-	150	88708247	NKP-NKMA 60/50	93	88709401*	NKP-SNU/P	151
88707292	NKP-DH 57-	150	88708251	NKP-SNTM	92	88709402*	NKP-SNU/P	151
88707295	NKP-DH 57-	150	88708252	NKP-SNTM	92	88709403*	NKP-SNU/P	151
88707301	NKP-WK	144	88708253	NKP-SNTM	92	88709404*	NKP-SNU/P	151
88707302	NKP-WK	144	88708254	NKP-SNTM	92	88709405*	NKP-SNU/P	151
88707303	NKP-WK	144	88708255	NKP-SNTM	92	88709406*	NKP-SNU/P	151
88707304	NKP-WK	144	88708256	NKP-SNTM	92	88709407	NKP-SNU/P	151
88707305	NKP-WK	144	88708261	NKP-SNV HD	136	88709413*	NKP-VTN	157
88707306	NKP-WK	144	88708262	NKP-SNV HD	136	88709414*	NKP-VE 02A	163
88707329	NKP-VHP 50-	157	88708263	NKP-SNV HD	136	88709417*	NKP-VE 11C	165
88707330	NKP-VE 01 DH	163	88708264	NKP-SNV HD	136	88709418	NKP-VE 11C/OMEGA	165
88707331	NKP-VE 01 DH	163	88708265	NKP-SNV HD	136	88709419	NKP-VE 10A	164
88707341	NKP-SNU/P1	152	88708266	NKP-SNV HD	136	88709420*	NKP-UL/P	153
88707342	NKP-SNU/P1	152	88708267	NKP-SNV HD	136	88709421*	NKP-UL/P	153
88707343	NKP-SNU/P1	152	88708268	NKP-SNV HD	136	88709422*	NKP-UL/P	153
88707344	NKP-SNU/P1	152	88708269	NKP-SNV HD	136	88709423*	NKP-UL/P	153
88707345	NKP-SNU/P1	152	88708271	NKP-SNL/OMEGA	140	88709424*	NKP-UL/P	153
88707346	NKP-SNU/P1	152	88708272	NKP-SNL/OMEGA	140	88709425*	NKP-UL/P	153
88707347	NKP-SNU/P1	152	88708273	NKP-SNL/OMEGA	140	88709426*	NKP-UL/P	153
88707365	NKP-SNPN	157	88708274	NKP-SNL/OMEGA	140	88709430*	NKP-DUL/P	154
88708200	NKP-SNU/P	151	88708275	NKP-SNL/OMEGA	140	88709431*	NKP-DUL/P	154
88708201	NKP-SNU/P	151	88708276	NKP-SNL/OMEGA	140	88709432*	NKP-DUL/P	154
88708202	NKP-SNU/P	151	88708281	NKP-VNU/OMEGA	147	88709433*	NKP-DUL/P	154
88708203	NKP-SNU/P	151	88708282	NKP-VNU/OMEGA	147	88709434*	NKP-DUL/P	154
88708204	NKP-SNU/P	151	88708283	NKP-VNU/OMEGA	147	88709435*	NKP-DUL/P	154
88708205	NKP-SNU/P	151	88708284	NKP-VNU/OMEGA	147	88709436*	NKP-DUL/P	154
88708206	NKP-SNU/P	151	88708285	NKP-VNU/OMEGA	147	88710110	KL 60/-	97
88708207	NKP-SNU/P	151	88708286	NKP-VNU/OMEGA	147	88710111	KL 60/-	97
88708213	NKP-VTN	157	88708290	NKP-NKS	159	88710112	KL 60/-	97
88708214	NKP-VE 02A	163	88708291	NKP-VE 11D/OMEGA	163	88710113	KL 60/-	97
88708217	NKP-VE 11C	165	88708300	NKP-OB2	145	88710114	KL 60/-	97
88708218	NKP-VE 11C/OMEGA	165	88708301	NKP-OB2	145	88710115	KL 60/-	97
88708219	NKP-VE 10A	164	88708302	NKP-ND	167	88710116	KL 60/-	97
88708220	NKP-UL/P	153	88708303	NKP-VE 10 HD	164	88710117	KL 60/-	97
88708221	NKP-UL/P	153	88708304	NKP-VTN M10	157	88710118	KL 60/-	97
88708222	NKP-UL/P	153	88708305	NKP-SNL 45x45	139	88710121	KL 100/-	114
88708223	NKP-UL/P	153	88708306	NKP-C 41/21	161	88710122	KL 100/-	114
88708224	NKP-UL/P	153	88708307	NKP-C 41/21	161	88710124	KL 100/-	114
88708225	NKP-UL/P	153	88708307	NKP-C 41/21	187	88710125	KL 100/-	114

PROD. CODE	ITEM	PAGE
88710126	KL 100/-	114
88710127	KL 100/-	114
88710128	KL 100/-	114
88710141	KL 100/-	115
88710142	KL 100/-	115
88710143	KL 100/-	115
88710144	KL 100/-	115
88710145	KL 100/-	115
88710146	KL 100/-	115
88710160	KL-PR	99
88710161	KL-PR	116
88710164	KL-PR HD 100	134
88710165	KL-PR	99
88710166	KL-PR	116
88710181	KL 60/-	98
88710182	KL 60/-	98
88710183	KL 60/-	98
88710184	KL 60/-	98
88710185	KL 60/-	98
88710186	KL 60/-	98
88710211	KL 60/-	97
88710212	KL 60/-	97
88710213	KL 60/-	97
88710214	KL 60/-	97
88710215	KL 60/-	97
88710216	KL 60/-	97
88710217	KL 60/-	97
88710218	KL 60/-	97
88710221	KL 100/-	114
88710222	KL 100/-	114
88710223	KL 100/-	114
88710224	KL 100/-	114
88710225	KL 100/-	114
88710226	KL 100/-	114
88710227	KL 100/-	114
88710228	KL 100/-	114
88710241	KL 100/-	115
88710242	KL 100/-	115
88710243	KL 100/-	115
88710244	KL 100/-	115
88710245	KL 100/-	115
88710246	KL 100/-	115
88710260	KL-PR	99
88710261	KL-PR	116
88710264	KL-PR HD 100	134
88710281	KL 60/-	98
88710282	KL 60/-	98
88710283	KL 60/-	98
88710284	KL 60/-	98

PROD. CODE	ITEM	PAGE
88710285	KL 60/-	98
88710286	KL 60/-	98
88710311*	KL 60/-	97
88710312*	KL 60/-	97
88710313*	KL 60/-	97
88710314*	KL 60/-	97
88710315*	KL 60/-	97
88710316*	KL 60/-	97
88710317*	KL 60/-	97
88710318*	KL 60/-	97
88710360*	KL-PR	99
88710361*	KL-PR	116
88710411*	KL 60/-	97
88710412*	KL 60/-	97
88710413*	KL 60/-	97
88710414*	KL 60/-	97
88710415*	KL 60/-	97
88710416*	KL 60/-	97
88710417*	KL 60/-	97
88710418*	KL 60/-	97
88710460*	KL-PR	99
88710461*	KL-PR	116
88710481*	KL 60/-	98
88710482*	KL 60/-	98
88710483*	KL 60/-	98
88710484*	KL 60/-	98
88710485*	KL 60/-	98
88710486*	KL 60/-	98
88710500	KL 100/-	114
88710501	PKL-FS 100	125
88710611	KL 60/-	97
88710612	KL 60/-	97
88710613	KL 60/-	97
88710614	KL 60/-	97
88710615	KL 60/-	97
88710616	KL 60/-	97
88710617	KL 60/-	97
88710618	KL 60/-	97
88710621	KL 100/-	114
88710622	KL 100/-	114
88710623	KL 100/-	114
88710624	KL 100/-	114
88710625	KL 100/-	114
88710626	KL 100/-	114
88710627	KL 100/-	114
88710628	KL 100/-	114
88710641	KL 100/-	115
88710642	KL 100/-	115
88710643	KL 100/-	115

PROD. CODE	ITEM	PAGE
88710644	KL 100/-	115
88710645	KL 100/-	115
88710646	KL 100/-	115
88710660	KL-PR	99
88710661	KL-PR	116
88710664	KL-PR HD 100	134
88710691	KL 60/-	98
88710692	KL 60/-	98
88710693	KL 60/-	98
88710694	KL 60/-	98
88710695	KL 60/-	98
88710696	KL 60/-	98
88711101	PKL-ZNK 60/-	100
88711102	PKL-ZNK 60/-	100
88711103	PKL-ZNK 60/-	100
88711104	PKL-ZNK 60/-	100
88711105	PKL-ZNK 60/-	100
88711106	PKL-ZNK 60/-	100
88711107	PKL-ZNK 60/-	100
88711108	PKL-ZNK 60/-	100
88711111	PKL-KO 60/-	102
88711112	PKL-KO 60/-	102
88711113	PKL-KO 60/-	102
88711114	PKL-KO 60/-	102
88711115	PKL-KO 60/-	102
88711116	PKL-KO 60/-	102
88711117	PKL-KO 60/-	102
88711118	PKL-KO 60/-	102
88711122	PKL-REL	110
88711123	PKL-REL	110
88711124	PKL-REL	110
88711125	PKL-REL	110
88711126	PKL-REL	110
88711127	PKL-REL	110
88711128	PKL-REL	110
88711131	PKL-KO 60/-	104
88711132	PKL-KO 60/-	104
88711133	PKL-KO 60/-	104
88711134	PKL-KO 60/-	104
88711135	PKL-KO 60/-	104
88711136	PKL-KO 60/-	104
88711137	PKL-KO 60/-	104
88711138	PKL-KO 60/-	104
88711141	PKL-SO 60/-	106
88711142	PKL-SO 60/-	106
88711143	PKL-SO 60/-	106
88711144	PKL-SO 60/-	106
88711145	PKL-SO 60/-	106
88711146	PKL-SO 60/-	106





PROD. CODE	ITEM	PAGE
88711147	PKL-SO 60/-	106
88711148	PKL-SO 60/-	106
88711151	PKL-KR 60/-	108
88711152	PKL-KR 60/-	108
88711153	PKL-KR 60/-	108
88711154	PKL-KR 60/-	108
88711155	PKL-KR 60/-	108
88711156	PKL-KR 60/-	108
88711157	PKL-KR 60/-	108
88711158	PKL-KR 60/-	108
88711162	PKL-RED	109
88711163	PKL-RED	109
88711164	PKL-RED	109
88711165	PKL-RED	109
88711166	PKL-RED	109
88711167	PKL-RED	109
88711168	PKL-RED	109
88711171	PKL-GS 60	112
88711172	PKL-FS 60	111
88711176	PKL-GS 100	126
88711201	PKL-ZNK 60/-	100
88711202	PKL-ZNK 60/-	100
88711203	PKL-ZNK 60/-	100
88711204	PKL-ZNK 60/-	100
88711205	PKL-ZNK 60/-	100
88711206	PKL-ZNK 60/-	100
88711207	PKL-ZNK 60/-	100
88711208	PKL-ZNK 60/-	100
88711211	PKL-KO 60/-	102
88711212	PKL-KO 60/-	102
88711213	PKL-KO 60/-	102
88711214	PKL-KO 60/-	102
88711215	PKL-KO 60/-	102
88711216	PKL-KO 60/-	102
88711217	PKL-KO 60/-	102
88711218	PKL-KO 60/-	102
88711222	PKL-REL	110
88711223	PKL-REL	110
88711224	PKL-REL	110
88711225	PKL-REL	110
88711226	PKL-REL	110
88711227	PKL-REL	110
88711228	PKL-REL	110
88711231	PKL-KO 60/-	104
88711232	PKL-KO 60/-	104
88711233	PKL-KO 60/-	104
88711234	PKL-KO 60/-	104
88711235	PKL-KO 60/-	104
88711236	PKL-KO 60/-	104

PROD. CODE	ITEM	PAGE
88711237	PKL-KO 60/-	104
88711238	PKL-KO 60/-	104
88711241	PKL-SO 60/-	106
88711242	PKL-SO 60/-	106
88711243	PKL-SO 60/-	106
88711244	PKL-SO 60/-	106
88711245	PKL-SO 60/-	106
88711246	PKL-SO 60/-	106
88711247	PKL-SO 60/-	106
88711248	PKL-SO 60/-	106
88711251	PKL-KR 60/-	108
88711252	PKL-KR 60/-	108
88711253	PKL-KR 60/-	108
88711254	PKL-KR 60/-	108
88711255	PKL-KR 60/-	108
88711256	PKL-KR 60/-	108
88711257	PKL-KR 60/-	108
88711258	PKL-KR 60/-	108
88711262	PKL-RED	109
88711263	PKL-RED	109
88711264	PKL-RED	109
88711265	PKL-RED	109
88711266	PKL-RED	109
88711267	PKL-RED	109
88711268	PKL-RED	109
88711301*	PKL-ZNK 60/-	100
88711302*	PKL-ZNK 60/-	100
88711303*	PKL-ZNK 60/-	100
88711304*	PKL-ZNK 60/-	100
88711305*	PKL-ZNK 60/-	100
88711306*	PKL-ZNK 60/-	100
88711307*	PKL-ZNK 60/-	100
88711308*	PKL-ZNK 60/-	100
88711311*	PKL-KO 60/-	102
88711312*	PKL-KO 60/-	102
88711313*	PKL-KO 60/-	102
88711314*	PKL-KO 60/-	102
88711315*	PKL-KO 60/-	102
88711316*	PKL-KO 60/-	102
88711317*	PKL-KO 60/-	102
88711318*	PKL-KO 60/-	102
88711322*	PKL-REL	110
88711323*	PKL-REL	110
88711324*	PKL-REL	110
88711325*	PKL-REL	110
88711326*	PKL-REL	110
88711327*	PKL-REL	110
88711328*	PKL-REL	110
88711331*	PKL-KO 60/-	104

PROD. CODE	ITEM	PAGE
88711332*	PKL-KO 60/-	104
88711333*	PKL-KO 60/-	104
88711334*	PKL-KO 60/-	104
88711335*	PKL-KO 60/-	104
88711336*	PKL-KO 60/-	104
88711337*	PKL-KO 60/-	104
88711338*	PKL-KO 60/-	104
88711341*	PKL-SO 60/-	106
88711342*	PKL-SO 60/-	106
88711343*	PKL-SO 60/-	106
88711344*	PKL-SO 60/-	106
88711345*	PKL-SO 60/-	106
88711346*	PKL-SO 60/-	106
88711347*	PKL-SO 60/-	106
88711348*	PKL-SO 60/-	106
88711351*	PKL-KR 60/-	108
88711352*	PKL-KR 60/-	108
88711353*	PKL-KR 60/-	108
88711354*	PKL-KR 60/-	108
88711355*	PKL-KR 60/-	108
88711356*	PKL-KR 60/-	108
88711357*	PKL-KR 60/-	108
88711358*	PKL-KR 60/-	108
88711362*	PKL-RED	109
88711363*	PKL-RED	109
88711364*	PKL-RED	109
88711365*	PKL-RED	109
88711366*	PKL-RED	109
88711367*	PKL-RED	109
88711368*	PKL-RED	109
88711401*	PKL-ZNK 60/-	100
88711402*	PKL-ZNK 60/-	100
88711403*	PKL-ZNK 60/-	100
88711404*	PKL-ZNK 60/-	100
88711405*	PKL-ZNK 60/-	100
88711406*	PKL-ZNK 60/-	100
88711407*	PKL-ZNK 60/-	100
88711408*	PKL-ZNK 60/-	100
88711411*	PKL-KO 60/-	102
88711412*	PKL-KO 60/-	102
88711413*	PKL-KO 60/-	102
88711414*	PKL-KO 60/-	102
88711415*	PKL-KO 60/-	102
88711416*	PKL-KO 60/-	102
88711417*	PKL-KO 60/-	102
88711418*	PKL-KO 60/-	102
88711422*	PKL-REL	110
88711423*	PKL-REL	110
88711424*	PKL-REL	110

PROD. CODE	ITEM	PAGE	PROD. CODE	ITEM	PAGE	PROD. CODE	ITEM	PAGE
88711425*	PKL-REL	110	88711617	PKL-KO 60/-	102	88711712	PKL-KO 100/-	117
88711426*	PKL-REL	110	88711618	PKL-KO 60/-	102	88711713	PKL-KO 100/-	117
88711427*	PKL-REL	110	88711622	PKL-REL	110	88711714	PKL-KO 100/-	117
88711428*	PKL-REL	110	88711623	PKL-REL	110	88711715	PKL-KO 100/-	117
88711431*	PKL-KO 60/-	104	88711624	PKL-REL	110	88711716	PKL-KO 100/-	117
88711432*	PKL-KO 60/-	104	88711625	PKL-REL	110	88711717	PKL-KO 100/-	117
88711433*	PKL-KO 60/-	104	88711626	PKL-REL	110	88711718	PKL-KO 100/-	117
88711434*	PKL-KO 60/-	104	88711627	PKL-REL	110	88711721	PKL-KO 100/-	118
88711435*	PKL-KO 60/-	104	88711628	PKL-REL	110	88711722	PKL-KO 100/-	118
88711436*	PKL-KO 60/-	104	88711631	PKL-KO 60/-	104	88711723	PKL-KO 100/-	118
88711437*	PKL-KO 60/-	104	88711632	PKL-KO 60/-	104	88711724	PKL-KO 100/-	118
88711438*	PKL-KO 60/-	104	88711633	PKL-KO 60/-	104	88711725	PKL-KO 100/-	118
88711441*	PKL-SO 60/-	106	88711634	PKL-KO 60/-	104	88711726	PKL-KO 100/-	118
88711442*	PKL-SO 60/-	106	88711635	PKL-KO 60/-	104	88711727	PKL-KO 100/-	118
88711443*	PKL-SO 60/-	106	88711636	PKL-KO 60/-	104	88711728	PKL-KO 100/-	118
88711444*	PKL-SO 60/-	106	88711637	PKL-KO 60/-	104	88711731	PKL-KO 100/-	119
88711445*	PKL-SO 60/-	106	88711638	PKL-KO 60/-	104	88711732	PKL-KO 100/-	119
88711446*	PKL-SO 60/-	106	88711641	PKL-SO 60/-	106	88711733	PKL-KO 100/-	119
88711447*	PKL-SO 60/-	106	88711642	PKL-SO 60/-	106	88711734	PKL-KO 100/-	119
88711448*	PKL-SO 60/-	106	88711643	PKL-SO 60/-	106	88711735	PKL-KO 100/-	119
88711451*	PKL-KR 60/-	108	88711644	PKL-SO 60/-	106	88711736	PKL-KO 100/-	119
88711452*	PKL-KR 60/-	108	88711645	PKL-SO 60/-	106	88711737	PKL-KO 100/-	119
88711453*	PKL-KR 60/-	108	88711646	PKL-SO 60/-	106	88711738	PKL-KO 100/-	119
88711454*	PKL-KR 60/-	108	88711647	PKL-SO 60/-	106	88711741	PKL-SO 100/-	120
88711455*	PKL-KR 60/-	108	88711648	PKL-SO 60/-	106	88711742	PKL-SO 100/-	120
88711456*	PKL-KR 60/-	108	88711651	PKL-KR 60/-	108	88711743	PKL-SO 100/-	120
88711457*	PKL-KR 60/-	108	88711652	PKL-KR 60/-	108	88711744	PKL-SO 100/-	120
88711458*	PKL-KR 60/-	108	88711653	PKL-KR 60/-	108	88711745	PKL-SO 100/-	120
88711462*	PKL-RED	109	88711654	PKL-KR 60/-	108	88711746	PKL-SO 100/-	120
88711463*	PKL-RED	109	88711655	PKL-KR 60/-	108	88711747	PKL-SO 100/-	120
88711464*	PKL-RED	109	88711656	PKL-KR 60/-	108	88711748	PKL-SO 100/-	120
88711465*	PKL-RED	109	88711657	PKL-KR 60/-	108	88711751	PKL-SO 100/-	121
88711466*	PKL-RED	109	88711658	PKL-KR 60/-	108	88711752	PKL-SO 100/-	121
88711467*	PKL-RED	109	88711662	PKL-RED	109	88711753	PKL-SO 100/-	121
88711468*	PKL-RED	109	88711663	PKL-RED	109	88711754	PKL-SO 100/-	121
88711601	PKL-ZNK 60/-	100	88711664	PKL-RED	109	88711755	PKL-SO 100/-	121
88711602	PKL-ZNK 60/-	100	88711665	PKL-RED	109	88711756	PKL-SO 100/-	121
88711603	PKL-ZNK 60/-	100	88711666	PKL-RED	109	88711757	PKL-SO 100/-	121
88711604	PKL-ZNK 60/-	100	88711667	PKL-RED	109	88711758	PKL-SO 100/-	121
88711605	PKL-ZNK 60/-	100	88711668	PKL-RED	109	88711812	PKL-FS 60	111
88711606	PKL-ZNK 60/-	100	88711701	PKL-ZNK 100/-	116	88711814	PKL-GS 60	112
88711607	PKL-ZNK 60/-	100	88711702	PKL-ZNK 100/-	116	88711816	PKL-FS HD 100	135
88711608	PKL-ZNK 60/-	100	88711703	PKL-ZNK 100/-	116	88711817	PKL-FS 100	125
88711611	PKL-KO 60/-	102	88711704	PKL-ZNK 100/-	116	88711818	PKL-GS 100	126
88711612	PKL-KO 60/-	102	88711705	PKL-ZNK 100/-	116	88711821	PKL-ZNK 60/-	101
88711613	PKL-KO 60/-	102	88711706	PKL-ZNK 100/-	116	88711822	PKL-ZNK 60/-	101
88711614	PKL-KO 60/-	102	88711707	PKL-ZNK 100/-	116	88711823	PKL-ZNK 60/-	101
88711615	PKL-KO 60/-	102	88711708	PKL-ZNK 100/-	116	88711824	PKL-ZNK 60/-	101
88711616	PKL-KO 60/-	102	88711711	PKL-KO 100/-	117	88711825	PKL-ZNK 60/-	101



PROD. CODE	ITEM	PAGE
88711826	PKL-ZNK 60/-	101
88711827	PKL-ZNK 60/-	101
88711828	PKL-ZNK 60/-	101
88711831	PKL-KO 60/-	105
88711832	PKL-KO 60/-	105
88711833	PKL-KO 60/-	105
88711834	PKL-KO 60/-	105
88711835	PKL-KO 60/-	105
88711836	PKL-KO 60/-	105
88711837	PKL-KO 60/-	105
88711838	PKL-KO 60/-	105
88711841	PKL-SO 60/-	107
88711842	PKL-SO 60/-	107
88711843	PKL-SO 60/-	107
88711844	PKL-SO 60/-	107
88711845	PKL-SO 60/-	107
88711846	PKL-SO 60/-	107
88711847	PKL-SO 60/-	107
88711848	PKL-SO 60/-	107
88711870	PKL-GSH 60	112
88711870	PKL-GSH 60	126
88711872	PKL-GS HD 100	135
88711874	PKL-GSH HD 100	136
88711875	PKL-FSV 60	111
88711876	PKL-FSV 100	125
88711881	PKL-KR 100/-	122
88711882	PKL-KR 100/-	122
88711883	PKL-KR 100/-	122
88711884	PKL-KR 100/-	122
88711885	PKL-KR 100/-	122
88711886	PKL-KR 100/-	122
88711887	PKL-KR 100/-	122
88711888	PKL-KR 100/-	122
88711961	PKL-KO 60/-	103
88711962	PKL-KO 60/-	103
88711963	PKL-KO 60/-	103
88711964	PKL-KO 60/-	103
88711965	PKL-KO 60/-	103
88711966	PKL-KO 60/-	103
88711972	PKL-RED	123
88711973	PKL-RED	123
88711974	PKL-RED	123
88711975	PKL-RED	123
88711976	PKL-RED	123
88711982	PKL-REL	124
88711983	PKL-REL	124
88711984	PKL-REL	124
88711985	PKL-REL	124
88711986	PKL-REL	124

PROD. CODE	ITEM	PAGE
88711987	PKL-REL	124
88712001	PKL-KO HD 100/-	134
88712002	PKL-KO HD 100/-	134
88712003	PKL-KO HD 100/-	134
88712004	PKL-KO HD 100/-	134
88712005	PKL-KO HD 100/-	134
88712006	PKL-KO HD 100/-	134
88712010	PKL-KOB05	113
88712010	PKL-KOB05	127
88712011	PKL-KOB05	113
88712011	PKL-KOB05	127
88712012	PKL-KOB05	113
88712012	PKL-KOB05	127
88712013	PKL-KOB05	113
88712013	PKL-KOB05	127
88712014	PKL-KOB05	113
88712014	PKL-KOB05	127
88712020	PKL-KOB05 41	162
88712021	PKL-KOB05 41	162
88712022	PKL-KOB05 41	162
88712023	PKL-KOB05 41	162
88712024	PKL-KOB05 41	162
88712201	PKL-ZNK 100/-	116
88712202	PKL-ZNK 100/-	116
88712203	PKL-ZNK 100/-	116
88712204	PKL-ZNK 100/-	116
88712205	PKL-ZNK 100/-	116
88712206	PKL-ZNK 100/-	116
88712207	PKL-ZNK 100/-	116
88712208	PKL-ZNK 100/-	116
88712211	PKL-KO 100/-	117
88712212	PKL-KO 100/-	117
88712213	PKL-KO 100/-	117
88712214	PKL-KO 100/-	117
88712215	PKL-KO 100/-	117
88712216	PKL-KO 100/-	117
88712217	PKL-KO 100/-	117
88712218	PKL-KO 100/-	117
88712221	PKL-KO 100/-	118
88712222	PKL-KO 100/-	118
88712223	PKL-KO 100/-	118
88712224	PKL-KO 100/-	118
88712225	PKL-KO 100/-	118
88712226	PKL-KO 100/-	118
88712227	PKL-KO 100/-	118
88712228	PKL-KO 100/-	118
88712231	PKL-KO 100/-	119
88712232	PKL-KO 100/-	119
88712233	PKL-KO 100/-	119

PROD. CODE	ITEM	PAGE
88712234	PKL-KO 100/-	119
88712235	PKL-KO 100/-	119
88712236	PKL-KO 100/-	119
88712237	PKL-KO 100/-	119
88712238	PKL-KO 100/-	119
88712241	PKL-SO 100/-	120
88712242	PKL-SO 100/-	120
88712243	PKL-SO 100/-	120
88712244	PKL-SO 100/-	120
88712245	PKL-SO 100/-	120
88712246	PKL-SO 100/-	120
88712247	PKL-SO 100/-	120
88712248	PKL-SO 100/-	120
88712251	PKL-SO 100/-	121
88712252	PKL-SO 100/-	121
88712253	PKL-SO 100/-	121
88712254	PKL-SO 100/-	121
88712255	PKL-SO 100/-	121
88712256	PKL-SO 100/-	121
88712257	PKL-SO 100/-	121
88712258	PKL-SO 100/-	121
88712271	PKL-GS 60	112
88712272	PKL-FS 60	111
88712275	PKL-FS 100	125
88712276	PKL-GS 100	126
88712281	PKL-KR 100/-	122
88712282	PKL-KR 100/-	122
88712283	PKL-KR 100/-	122
88712284	PKL-KR 100/-	122
88712285	PKL-KR 100/-	122
88712286	PKL-KR 100/-	122
88712287	PKL-KR 100/-	122
88712288	PKL-KR 100/-	122
88712312	PKL-FS 60	111
88712314	PKL-GS 60	112
88712316	PKL-FS HD 100	135
88712317	PKL-FS 100	125
88712318	PKL-GS 100	126
88712321	PKL-ZNK 60/-	101
88712322	PKL-ZNK 60/-	101
88712323	PKL-ZNK 60/-	101
88712324	PKL-ZNK 60/-	101
88712325	PKL-ZNK 60/-	101
88712326	PKL-ZNK 60/-	101
88712327	PKL-ZNK 60/-	101
88712328	PKL-ZNK 60/-	101
88712331	PKL-KO 60/-	105
88712332	PKL-KO 60/-	105
88712333	PKL-KO 60/-	105

PROD. CODE	ITEM	PAGE	PROD. CODE	ITEM	PAGE	PROD. CODE	ITEM	PAGE
88712334	PKL-KO 60/-	105	88714512	PKL-FS 60	111	88716776	PKL-FSV 100	125
88712335	PKL-KO 60/-	105	88714710*	PKL-KOB05	113	88716781	PKL-KO 100/-	117
88712336	PKL-KO 60/-	105	88714710	PKL-KOB05	127	88716782	PKL-KO 100/-	117
88712337	PKL-KO 60/-	105	88714711*	PKL-KOB05	113	88716782	PKL-KO 100/-	117
88712338	PKL-KO 60/-	105	88714711	PKL-KOB05	127	88716784	PKL-KO 100/-	117
88712341	PKL-SO 60/-	107	88714712*	PKL-KOB05	113	88716785	PKL-KO 100/-	117
88712342	PKL-SO 60/-	107	88714712	PKL-KOB05	127	88716786	PKL-KO 100/-	117
88712343	PKL-SO 60/-	107	88714713*	PKL-KOB05	113	88716787	PKL-KO 100/-	117
88712344	PKL-SO 60/-	107	88714713	PKL-KOB05	127	88716788	PKL-KO 100/-	117
88712345	PKL-SO 60/-	107	88714714*	PKL-KOB05	113	88716791	PKL-KO 100/-	119
88712346	PKL-SO 60/-	107	88714714	PKL-KOB05	127	88716792	PKL-KO 100/-	119
88712347	PKL-SO 60/-	107	88716671	PKL-GS 60	112	88716793	PKL-KO 100/-	119
88712348	PKL-SO 60/-	107	88716672	PKL-FS 60	111	88716794	PKL-KO 100/-	119
88712370	PKL-GSH 60	112	88716675	PKL-FS 100	125	88716795	PKL-KO 100/-	119
88712370	PKL-GSH 60	126	88716676	PKL-GS 100	126	88716796	PKL-KO 100/-	119
88712372	PKL-GS HD 100	135	88716709	PKL-FS 60	111	88716797	PKL-KO 100/-	119
88712374	PKL-GSH HD 100	136	88716714	PKL-GS 60	112	88716798	PKL-KO 100/-	119
88712375	PKL-FSV 60	111	88716716	PKL-FS HD 100	135	88716831	PKL-KR 100/-	122
88712376	PKL-FSV 100	125	88716717	PKL-FS 100	125	88716832	PKL-KR 100/-	122
88712471	PKL-KO 60/-	103	88716718	PKL-GS 100	126	88716833	PKL-KR 100/-	122
88712472	PKL-KO 60/-	103	88716721	PKL-ZNK 60/-	101	88716834	PKL-KR 100/-	122
88712473	PKL-KO 60/-	103	88716722	PKL-ZNK 60/-	101	88716835	PKL-KR 100/-	122
88712474	PKL-KO 60/-	103	88716723	PKL-ZNK 60/-	101	88716837	PKL-KR 100/-	122
88712475	PKL-KO 60/-	103	88716724	PKL-ZNK 60/-	101	88716838	PKL-KR 100/-	122
88712476	PKL-KO 60/-	103	88716725	PKL-ZNK 60/-	101	88716841	PKL-SO 100/-	120
88712482	PKL-RED	123	88716726	PKL-ZNK 60/-	101	88716842	PKL-SO 100/-	120
88712483	PKL-RED	123	88716727	PKL-ZNK 60/-	101	88716843	PKL-SO 100/-	120
88712484	PKL-RED	123	88716728	PKL-ZNK 60/-	101	88716844	PKL-SO 100/-	120
88712485	PKL-RED	123	88716731	PKL-KO 60/-	105	88716845	PKL-SO 100/-	120
88712486	PKL-RED	123	88716732	PKL-KO 60/-	105	88716846	PKL-SO 100/-	120
88712492	PKL-REL	124	88716733	PKL-KO 60/-	105	88716847	PKL-SO 100/-	120
88712493	PKL-REL	124	88716734	PKL-KO 60/-	105	88716848	PKL-SO 100/-	120
88712494	PKL-REL	124	88716735	PKL-KO 60/-	105	88716851	PKL-SO 100/-	121
88712495	PKL-REL	124	88716736	PKL-KO 60/-	105	88716852	PKL-SO 100/-	121
88712496	PKL-REL	124	88716737	PKL-KO 60/-	105	88716853	PKL-SO 100/-	121
88712510	PKL-KOB05	113	88716738	PKL-KO 60/-	105	88716854	PKL-SO 100/-	121
88712510	PKL-KOB05	127	88716741	PKL-SO 60/-	107	88716855	PKL-SO 100/-	121
88712511	PKL-KOB05	113	88716742	PKL-SO 60/-	107	88716856	PKL-SO 100/-	121
88712511	PKL-KOB05	127	88716743	PKL-SO 60/-	107	88716857	PKL-SO 100/-	121
88712512	PKL-KOB05	113	88716744	PKL-SO 60/-	107	88716858	PKL-SO 100/-	121
88712512	PKL-KOB05	127	88716745	PKL-SO 60/-	107	88716881	PKL-ZNK 100/-	116
88712513	PKL-KOB05	113	88716746	PKL-SO 60/-	107	88716882	PKL-ZNK 100/-	116
88712513	PKL-KOB05	127	88716747	PKL-SO 60/-	107	88716883	PKL-ZNK 100/-	116
88712514	PKL-KOB05	113	88716748	PKL-SO 60/-	107	88716884	PKL-ZNK 100/-	116
88712514	PKL-KOB05	127	88716770	PKL-GSH 60	112	88716885	PKL-ZNK 100/-	116
88713371*	PKL-GS 60	112	88716770	PKL-GSH 60	126	88716886	PKL-ZNK 100/-	116
88713372*	PKL-FS 60	111	88716772	PKL-GS HD 100	135	88716887	PKL-ZNK 100/-	116
88714471*	PKL-GS 60	112	88716774	PKL-GS HD 100	136	88716888	PKL-ZNK 100/-	116
88714472*	PKL-FS 60	111	88716775	PKL-FSV 60	111	88716891	PKL-KO 100/-	118



PROD. CODE	ITEM	PAGE	PROD. CODE	ITEM	PAGE	PROD. CODE	ITEM	PAGE
88716892	PKL-KO 100/-	118	88717714*	PKP-ZKP	28	88717784*	PKP-KOP	62
88716893	PKL-KO 100/-	118	88717714*	PKP-ZKP	56	88717785*	PKP-KOP	34
88716894	PKL-KO 100/-	118	88717715*	PKP-ZKP	28	88717785*	PKP-KOP	62
88716895	PKL-KO 100/-	118	88717715*	PKP-ZKP	56	88717786*	PKP-KOP	34
88716896	PKL-KO 100/-	118	88717716*	PKP-ZKP	28	88717786*	PKP-KOP	62
88716897	PKL-KO 100/-	118	88717716*	PKP-ZKP	56	88718813	NKP-VTN	157
88716898	PKL-KO 100/-	118	88717718*	PKP-FS PL	160	88718814	NKP-VE 02A	163
88716981	PKL-KO 60/-	103	88717719*	PKP-FS UL	160	88718817	NKP-VE 11C	165
88716982	PKL-KO 60/-	103	88717720*	PKP-KO 60/-	35	88718818	NKP-VE 11C/OMEGA	165
88716983	PKL-KO 60/-	103	88717721*	PKP-KO 60/-	35	88718819	NKP-VE 10A	164
88716984	PKL-KO 60/-	103	88717722*	PKP-KO 60/-	35	88718820	NKP-UL/P	153
88716985	PKL-KO 60/-	103	88717723*	PKP-KO 60/-	35	88718821	NKP-UL/P	153
88716986	PKL-KO 60/-	103	88717724*	PKP-KO 60/-	35	88718822	NKP-UL/P	153
88716992	PKL-RED	123	88717725*	PKP-KO 60/-	35	88718823	NKP-UL/P	153
88716993	PKL-RED	123	88717726*	PKP-KO 60/-	35	88718824	NKP-UL/P	153
88716994	PKL-RED	123	88717727*	PKP-KO 60/-	35	88718825	NKP-UL/P	153
88716995	PKL-RED	123	88717730*	PKP-REL 60/-	44	88718826	NKP-UL/P	153
88716996	PKL-RED	123	88717731*	PKP-REL 60/-	44	88718830	NKP-DUL/P	154
88716997	PKL-RED	123	88717732*	PKP-REL 60/-	44	88718831	NKP-DUL/P	154
88717002	PKL-REL	124	88717733*	PKP-REL 60/-	44	88718832	NKP-DUL/P	154
88717003	PKL-REL	124	88717734*	PKP-REL 60/-	44	88718833	NKP-DUL/P	154
88717004	PKL-REL	124	88717735*	PKP-REL 60/-	44	88718834	NKP-DUL/P	154
88717005	PKL-REL	124	88717740*	PKP-RED 60/-	42	88718835	NKP-DUL/P	154
88717006	PKL-REL	124	88717741*	PKP-RED 60/-	42	88718836	NKP-DUL/P	154
88717020	PKL-KOB05	113	88717742*	PKP-RED 60/-	42	88718845	NKP-NKM 35	93
88717020	PKL-KOB05	127	88717743*	PKP-RED 60/-	42	88718846	NKP-NKM 60	93
88717021	PKL-KOB05	113	88717744*	PKP-RED 60/-	42	88718847	NKP-NKMA 60/50	93
88717021	PKL-KOB05	127	88717745*	PKP-RED 60/-	42	88718851	NKP-SNTM	92
88717022	PKL-KOB05	113	88717750*	PKP-RELP	45	88718852	NKP-SNTM	92
88717022	PKL-KOB05	127	88717751*	PKP-RELP	45	88718853	NKP-SNTM	92
88717023	PKL-KOB05	113	88717752*	PKP-RELP	45	88718854	NKP-SNTM	92
88717023	PKL-KOB05	127	88717753*	PKP-RELP	45	88718855	NKP-SNTM	92
88717024	PKL-KOB05	113	88717754*	PKP-RELP	45	88718856	NKP-SNTM	92
88717024	PKL-KOB05	127	88717755*	PKP-RELP	45	88718861	NKP-SNV HD	136
88717700*	PKP-ZK 60/-	27	88717770*	PKP-REDP	43	88718862	NKP-SNV HD	136
88717701*	PKP-ZK 60/-	27	88717771*	PKP-REDP	43	88718863	NKP-SNV HD	136
88717702*	PKP-ZK 60/-	27	88717772*	PKP-REDP	43	88718864	NKP-SNV HD	136
88717703*	PKP-ZK 60/-	27	88717773*	PKP-REDP	43	88718865	NKP-SNV HD	136
88717704*	PKP-ZK 60/-	27	88717774*	PKP-REDP	43	88718866	NKP-SNV HD	136
88717705*	PKP-ZK 60/-	27	88717775*	PKP-REDP	43	88718867	NKP-SNV HD	136
88717706*	PKP-ZK 60/-	27	88717780*	PKP-KOP	34	88718868	NKP-SNV HD	136
88717710*	PKP-ZKP	28	88717780*	PKP-KOP	62	88718869	NKP-SNV HD	136
88717710*	PKP-ZKP	56	88717781*	PKP-KOP	34	88718871	NKP-SNL/OMEGA	140
88717711*	PKP-ZKP	28	88717781*	PKP-KOP	62	88718872	NKP-SNL/OMEGA	140
88717711*	PKP-ZKP	56	88717782*	PKP-KOP	34	88718873	NKP-SNL/OMEGA	140
88717712*	PKP-ZKP	28	88717782*	PKP-KOP	62	88718874	NKP-SNL/OMEGA	140
88717712*	PKP-ZKP	56	88717783*	PKP-KOP	34	88718875	NKP-SNL/OMEGA	140
88717713*	PKP-ZKP	28	88717783*	PKP-KOP	62	88718876	NKP-SNL/OMEGA	140
88717713*	PKP-ZKP	56	88717784*	PKP-KOP	34	88718881	NKP-VNU/OMEGA	147

PROD. CODE	ITEM	PAGE	PROD. CODE	ITEM	PAGE	PROD. CODE	ITEM	PAGE
88718882	NKP-VNU/OMEGA	147	88719039	NKP-VHP 50-	157	88720084	KPU 60/-	76
88718883	NKP-VNU/OMEGA	147	88719065	NKP-SNPN	157	88720085	KPU 60/-	76
88718884	NKP-VNU/OMEGA	147	88720000	KPU 60/-	75	88720086	KPU 60/-	76
88718885	NKP-VNU/OMEGA	147	88720001	KPU 60/-	75	88720101	KP 100/-	54
88718886	NKP-VNU/OMEGA	147	88720002	KPU 60/-	75	88720102	KP 100/-	54
88718890	NKP-NKS	159	88720003	KPU 60/-	75	88720103	KP 100/-	54
88718891	NKP-VE 11D/OMEGA	163	88720004	KPU 60/-	75	88720104	KP 100/-	54
88718900	NKP-OB2	145	88720005	KPU 60/-	75	88720105	KP 100/-	54
88718901	NKP-OB2	145	88720006	KPU 60/-	75	88720106	KP 100/-	54
88718902	NKP-ND	167	88720009	KPU 60/-	75	88720111	KP 100/-	52
88718903	NKP-VE 10 HD	164	88720020	KP 40/-	19	88720112	KP 100/-	52
88718904	PKP-GS 60	47	88720021	KP 40/-	19	88720113	KP 100/-	52
88718905	PKP-FS 60	49	88720022	KP 40/-	19	88720114	KP 100/-	52
88718906	PKP-GSH 60	48	88720023	KP 40/-	19	88720115	KP 100/-	52
88718907	PKP-GSH 60	48	88720024	KP 40/-	19	88720116	KP 100/-	52
88718908	PKP-GSH 100	72	88720025	KP 40/-	19	88720150	KP-P	81
88718909	PKP-GSH 100	71	88720026	KP 40/-	19	88720151	KP-P	81
88718962	NKP-DH 40-	149	88720031	KP 40/-	20	88720152	KP-P	81
88718963	NKP-DH 40-	149	88720032	KP 40/-	20	88720153	KP-P	81
88718964	NKP-DH 40-	149	88720033	KP 40/-	20	88720154	KP-P	81
88718965	NKP-DH 40-	149	88720034	KP 40/-	20	88720155	KP-P	81
88718966	NKP-DH 40-	149	88720035	KP 40/-	20	88720156	KP-P	81
88718967	NKP-DH 40-	149	88720036	KP 40/-	20	88720159	KP-P	81
88718968	NKP-DH 40-	149	88720040	KPU 40/-	74	88720170	KP-P	82
88718969	NKP-DH 40-	149	88720041	KPU 40/-	74	88720171	KP-P	82
88718970	NKP-DH 40-	149	88720042	KPU 40/-	74	88720172	KP-P	82
88718972	NKP-DH 40-	149	88720043	KPU 40/-	74	88720173	KP-P	82
88718982	NKP-DH 57-	150	88720044	KPU 40/-	74	88720174	KP-P	82
88718983	NKP-DH 57-	150	88720045	KPU 40/-	74	88720175	KP-P	82
88718984	NKP-DH 57-	150	88720046	KPU 40/-	74	88720176	KP-P	82
88718985	NKP-DH 57-	150	88720051	KP 100/-	53	88720179	KP-P	82
88718986	NKP-DH 57-	150	88720052	KP 100/-	53	88720202	KP-P HD	133
88718987	NKP-DH 57-	150	88720053	KP 100/-	53	88720203	KP-P HD	133
88718988	NKP-DH 57-	150	88720054	KP 100/-	53	88720204	KP-P HD	133
88718989	NKP-DH 57-	150	88720055	KP 100/-	53	88720205	KP-P HD	133
88718990	NKP-DH 57-	150	88720056	KP 100/-	53	88720206	KP-P HD	133
88718992	NKP-DH 57-	150	88720061	KP 100/-	51	88722000	KPU 60/-	75
88718995	NKP-DH 57-	150	88720063	KP 100/-	51	88722000	KPU 60/-	76
88719001	NKP-WK	144	88720064	KP 100/-	51	88722001	KPU 60/-	75
88719002	NKP-WK	144	88720066	KP 100/-	51	88722001	KPU 60/-	76
88719003	NKP-WK	144	88720071	KPU 100/-	79	88722002	KPU 60/-	75
88719004	NKP-WK	144	88720072	KPU 100/-	79	88722002	KPU 60/-	76
88719005	NKP-WK	144	88720073	KPU 100/-	79	88722003	KPU 60/-	75
88719006	NKP-WK	144	88720074	KPU 100/-	79	88722003	KPU 60/-	76
88719010	NKP-VE 01 DH	163	88720075	KPU 100/-	79	88722004	KPU 60/-	75
88719011	NKP-VE 01 DH	163	88720076	KPU 100/-	79	88722004	KPU 60/-	76
88719013	NKP-C 41/21	161	88720080	KPU 60/-	76	88722005	KPU 60/-	75
88719014	NKP-C 41/21	161	88720082	KPU 60/-	76	88722005	KPU 60/-	76
88719015	NKP-C 41/21	161	88720083	KPU 60/-	76	88722006	KPU 60/-	75



PROD. CODE	ITEM	PAGE
88722006	KPU 60/-	76
88722020	KP 40/-	19
88722021	KP 40/-	19
88722022	KP 40/-	19
88722023	KP 40/-	19
88722024	KP 40/-	19
88722025	KP 40/-	19
88722026	KP 40/-	19
88722030	KP 40/-	20
88722031	KP 40/-	20
88722032	KP 40/-	20
88722033	KP 40/-	20
88722034	KP 40/-	20
88722035	KP 40/-	20
88722036	KP 40/-	20
88722040	KPU 40/-	74
88722041	KPU 40/-	74
88722042	KPU 40/-	74
88722043	KPU 40/-	74
88722044	KPU 40/-	74
88722045	KPU 40/-	74
88722046	KPU 40/-	74
88722051	KP 100/-	53
88722052	KP 100/-	53
88722053	KP 100/-	53
88722054	KP 100/-	53
88722055	KP 100/-	53
88722056	KP 100/-	53
88722062	KP 100/-	51
88722063	KP 100/-	51
88722064	KP 100/-	51
88722065	KP 100/-	51
88722066	KP 100/-	51
88722073	KP 60/-	24
88722074	KP 60/-	24
88722075	KP 60/-	24
88722076	KP 60/-	24
88722081	KP 60/-	25
88722082	KP 60/-	25
88722083	KP 60/-	25
88722084	KP 60/-	25
88722085	KP 60/-	25
88722086	KP 60/-	25
88722090	KP 60/-	23
88722091	KP 60/-	23
88722092	KP 60/-	23
88722093	KP 60/-	23
88722094	KP 60/-	23
88722095	KP 60/-	23

PROD. CODE	ITEM	PAGE
88722096	KP 60/-	23
88722099	KP 60/-	23
88722101	KP 100/-	54
88722102	KP 100/-	54
88722103	KP 100/-	54
88722104	KP 100/-	54
88722105	KP 100/-	54
88722106	KP 100/-	54
88722110	KP 60/-	24
88722111	KP 60/-	24
88722112	KP 60/-	24
88722150	KP-P	81
88722151	KP-P	81
88722152	KP-P	81
88722153	KP-P	81
88722154	KP-P	81
88722155	KP-P	81
88722156	KP-P	81
88722159	KP-P	81
88722170	KP-P	82
88722171	KP-P	82
88722172	KP-P	82
88722173	KP-P	82
88722174	KP-P	82
88722175	KP-P	82
88722176	KP-P	82
88722179	KP-P	82
88722202	KP-P HD	133
88722203	KP-P HD	133
88722204	KP-P HD	133
88722205	KP-P HD	133
88722206	KP-P HD	133
88724020	KP 40/-	19
88724021	KP 40/-	19
88724022	KP 40/-	19
88724023	KP 40/-	19
88724024	KP 40/-	19
88724025	KP 40/-	19
88724026	KP 40/-	19
88725001	KPU 60/-	76
88725011	KP 30/C-	17
88725195	PKP-GS 60	47
88725196	PKP-GS 60	47
88726010	KP 40/-	20
88726020	KP 40/-	19
88726021	KP 40/-	19
88726022	KP 40/-	19
88726023	KP 40/-	19
88726024	KP 40/-	19

PROD. CODE	ITEM	PAGE
88726025	KP 40/-	19
88726026	KP 40/-	19
88726030	KP 40/-	20
88726031	KP 40/-	20
88726032	KP 40/-	20
88726033	KP 40/-	20
88726034	KP 40/-	20
88726035	KP 40/-	20
88726036	KP 40/-	20
88726040	KPU 40/-	74
88726041	KPU 40/-	74
88726042	KPU 40/-	74
88726043	KPU 40/-	74
88726044	KPU 40/-	74
88726045	KPU 40/-	74
88726046	KPU 40/-	74
88726051	KP 100/-	53
88726052	KP 100/-	53
88726053	KP 100/-	53
88726054	KP 100/-	53
88726055	KP 100/-	53
88726056	KP 100/-	53
88726073	KP 60/-	24
88726074	KP 60/-	24
88726075	KP 60/-	24
88726076	KP 60/-	24
88726081	KP 60/-	25
88726082	KP 60/-	25
88726083	KP 60/-	25
88726084	KP 60/-	25
88726085	KP 60/-	25
88726086	KP 60/-	25
88726101	KP 100/-	54
88726102	KP 100/-	54
88726103	KP 100/-	54
88726104	KP 100/-	54
88726105	KP 100/-	54
88726106	KP 100/-	54
88726111	KP 100/-	52
88726112	KP 100/-	52
88726113	KP 100/-	52
88726114	KP 100/-	52
88726115	KP 100/-	52
88726116	KP 100/-	52
88726121	KP 100/-	51
88726122	KP 100/-	51
88726123	KP 100/-	51
88726124	KP 100/-	51
88726125	KP 100/-	51

PROD. CODE	ITEM	PAGE	PROD. CODE	ITEM	PAGE	PROD. CODE	ITEM	PAGE
88726126	KP 100/-	51	88800261	KP 60/- A E90	180	88803011	KL 60/...-A E90	185
88726202	KP-P HD	133	88800262	KP 60/- A E90	180	88803012	KL 60/...-A E90	185
88726203	KP-P HD	133	88800263	KP 60/- A E90	180	88803013	KL 60/...-A E90	185
88726204	KP-P HD	133	88800264	KP 60/- A E90	180	88803014	KL 60/...-A E90	185
88726205	KP-P HD	133	88800411	KP 60/- E90	180	88803201	KL 60/-	184
88726206	KP-P HD	133	88800412	KP 60/- E90	180	88803202	KL 60/-	184
88727012	KL HD 100/-	133	88800413	KP 60/- E90	180	88803203	KL 60/-	184
88727013	KL HD 100/-	133	88800461	KP 60/- A E90	180	88803204	KL 60/-	184
88727014	KL HD 100/-	133	88800462	KP 60/- A E90	180	88803211	KL 60/...-A E90	185
88727015	KL HD 100/-	133	88800463	KP 60/- A E90	180	88803212	KL 60/...-A E90	185
88727016	KL HD 100/-	133	88800464	KP 60/- A E90	180	88803213	KL 60/...-A E90	185
88728012	KL HD 100/-	133	88801200	PKP-FS	181	88803214	KL 60/...-A E90	185
88728013	KL HD 100/-	133	88801201	PKP-FS A E90	182	88804001	PKL-FS	184
88728014	KL HD 100/-	133	88801207	PKP-FS	181	88804002	PKL-FS	185
88728015	KL HD 100/-	133	88801212	PKP-FSP	182	88804201	PKL-FS	184
88728016	KL HD 100/-	133	88801213	PKP-FSP	182	88804202	PKL-FS	185
88731012	KL HD 100/-	133	88801216	PKP-FSP	182	88805111	PPKP – M10x100 E90	194
88731013	KL HD 100/-	133	88801217	PKP-FSP	182	88805112	PPKP – M6x50 E90	194
88731014	KL HD 100/-	133	88802001	NKP-SNV E90	186	88805114	PPKP – M8x75 E90	194
88731015	KL HD 100/-	133	88802002	NKP-SNV E90	186	88806111	PPKP – M10x100 E90	194
88731016	KL HD 100/-	133	88802003	NKP-SNV E90	186	88806112	PPKP – M6x50 E90	194
88733001*	NKP-SNL/OMEGA	140	88802004	NKP-SNV E90	186	88806114	PPKP – M8x75 E90	194
88733002*	NKP-SNL/OMEGA	140	88802010	NKP-VNV E90	186	88806414	PPKP – M8x75 E90	194
88733003*	NKP-SNL/OMEGA	140	88802011	NKP-VNV E90	186	88807000	PKB-KOB01 E90	188
88733004*	NKP-SNL/OMEGA	140	88802012	NKP-VNV E90	186	88807001	PKB-KOB01 E90	188
88733005*	NKP-SNL/OMEGA	140	88802013	NKP-VNV E90	186	88807002	PKB-KOB01 E90	188
88733006*	NKP-SNL/OMEGA	140	88802014	NKP-VNV E90	186	88807003	PKB-KOB01 E90	188
88733011*	NKP-VNU/OMEGA	147	88802015	NKP-VNV E90	186	88807004	PKB-KOB01 E90	188
88733012*	NKP-VNU/OMEGA	147	88802020	NKP-SD E90	186	88807005	PKB-KOB01 E90	188
88733013*	NKP-VNU/OMEGA	147	88802021	NKP-DSNV E90	187	88807006	PKB-KOB01 E90	188
88733014*	NKP-VNU/OMEGA	147	88802032	NKP-PL	187	88807010	PKB-KOB02 E90	189
88733015*	NKP-VNU/OMEGA	147	88802035	NKP-PL	187	88807011	PKB-KOB02 E90	189
88733016*	NKP-VNU/OMEGA	147	88802201	NKP-SNV E90	186	88807012	PKB-KOB02 E90	189
88800111	KP 60/- E90	180	88802202	NKP-SNV E90	186	88807013	PKB-KOB02 E90	189
88800112	KP 60/- E90	180	88802203	NKP-SNV E90	186	88807014	PKB-KOB02 E90	189
88800113	KP 60/- E90	180	88802204	NKP-SNV E90	186	88807015	PKB-KOB02 E90	189
88800121	KP 60/-	181	88802211	NKP-VNV E90	186	88807016	PKB-KOB02 E90	189
88800122	KP 60/-	181	88802212	NKP-VNV E90	186	88807020	PKB-KOB03 E90	190
88800123	KP 60/-	181	88802213	NKP-VNV E90	186	88807021	PKB-KOB03 E90	190
88800131	KP 60/-	181	88802214	NKP-VNV E90	186	88807022	PKB-KOB03 E90	190
88800132	KP 60/-	181	88802215	NKP-VNV E90	186	88807023	PKB-KOB03 E90	190
88800133	KP 60/-	181	88802220	NKP-SD E90	186	88807040	PKB-KOB05	190
88800161	KP 60/- A E90	180	88802221	NKP-DSNV E90	187	88807041	PKB-KOB05	190
88800162	KP 60/- A E90	180	88802232	NKP-PL	187	88807042	PKB-KOB05	190
88800163	KP 60/- A E90	180	88802235	NKP-PL	187	88807043	PKB-KOB05	190
88800164	KP 60/- A E90	180	88803001	KL 60/-	184	88807044	PKB-KOB05	190
88800211	KP 60/- E90	180	88803002	KL 60/-	184	88807200	PKB-KOB01 E90	188
88800212	KP 60/- E90	180	88803003	KL 60/-	184	88807201	PKB-KOB01 E90	188
88800213	KP 60/- E90	180	88803004	KL 60/-	184	88807202	PKB-KOB01 E90	188





PROD. CODE	ITEM	PAGE
88807203	PKB-KOB01 E90	188
88807204	PKB-KOB01 E90	188
88807205	PKB-KOB01 E90	188
88807206	PKB-KOB01 E90	188
88807210	PKB-KOB02 E90	189
88807211	PKB-KOB02 E90	189
88807212	PKB-KOB02 E90	189
88807213	PKB-KOB02 E90	189
88807214	PKB-KOB02 E90	189
88807215	PKB-KOB02 E90	189
88807216	PKB-KOB02 E90	189
88807220	PKB-KOB03 E90	190
88807221	PKB-KOB03 E90	190
88807222	PKB-KOB03 E90	190
88807223	PKB-KOB03 E90	190
88807240	PKB-KOB05	190
88807241	PKB-KOB05	190
88807242	PKB-KOB05	190

PROD. CODE	ITEM	PAGE
88807243	PKB-KOB05	190
88807244	PKB-KOB05	190
88807400	PKB-KOB01 E90	188
88807401	PKB-KOB01 E90	188
88807402	PKB-KOB01 E90	188
88807403	PKB-KOB01 E90	188
88807404	PKB-KOB01 E90	188
88807405	PKB-KOB01 E90	188
88807406	PKB-KOB01 E90	188
88807410	PKB-KOB02 E90	189
88807411	PKB-KOB02 E90	189
88807412	PKB-KOB02 E90	189
88807413	PKB-KOB02 E90	189
88807414	PKB-KOB02 E90	189
88807415	PKB-KOB02 E90	189
88807416	PKB-KOB02 E90	189
88807420	PKB-KOB03 E90	190
88807421	PKB-KOB03 E90	190

PROD. CODE	ITEM	PAGE
88807422	PKB-KOB03 E90	190
88807423	PKB-KOB03 E90	190
88807440	PKB-KOB05	190
88807441	PKB-KOB05	190
88807442	PKB-KOB05	190
88807443	PKB-KOB05	190
88807444	PKB-KOB05	190
99700100	KP 60/-	22
99700101	KP 60/-	22
99700102	KP 60/-	22
99700104	KP 60/-	22
99700105	KP 60/-	22
99700106	KP 60/-	22
99700604	KP 60/-	22
99700605	KP 60/-	22
99700606	KP 60/-	22



## HERMI International

---

### **SLOVENIA**

HERMI, d.o.o.  
Trnoveljska cesta 15  
3000 Celje  
Slovenija

+386 3 426 06 40

info@hermi.si  
www.hermi.si

### **AUSTRIA**

HERMI GmbH  
Gabelsbergerstraße 5  
9020 Klagenfurt am Wörthersee  
Österreich

+43 676 583 93 08

verkauf@hermi.at  
www.hermi.at

### **BIH**

HERMI d.o.o.  
Lužansko polje 7  
Ilidža, 71000 Sarajevo  
Bosna i Hercegovina

+387 33 637 082

info@hermi.ba  
www.hermi.ba

### **CROATIA**

HERMI d.o.o.  
Obrež Zelinski 51  
10380 Sveti Ivan Zelina  
Hrvatska

+385 1 20 14 926

info@hermi.hr  
www.hermi.hr

### **SERBIA**

HERMI NEPRIMETNI GROMOBRANI d.o.o.  
Ugrinovački put 26. deo br.3  
11080 Beograd – Zemun  
Srbija

+381 11 414 04 85

info@hermi.co.rs  
www.hermi.co.rs



## LIGHTNING PROTECTION

Lightning protection installation protects a building against direct lightning strikes. Only correctly positioned lightning protection conductors on a building are intended to conduct lightning current, not damaging the building. By installing lightning protection we successfully protect a building against

mechanical damage or fire.

Hermi lightning protection systems have low, standard fasteners adapted to all types of roof coverings and are creatively adjusted to the architecture of the building. They are made of durable materials – stainless steel, copper or aluminium – and provide the highest level of protection against damages caused by lightning strikes.



## SURGE PROTECTION

Protection which effectively protects the electrical installations and equipment in the building is called surge protection – protection of electrical installations and data lines against overvoltages.

Correctly installed surge protection does not protect the building against a direct lightning strike, but only electrical installations in it.

Hermi surge protection provides quality protection of your devices with three levels of surge protecting elements. We produce surge protection for low-voltage electrical installations, photovoltaic systems, IT systems, computer networks, video system and coaxial cables for high-frequency applications.



## CABLE TRAYS AND CABLE LADDERS

They are made of quality materials which provide sustainable and quality cable paths. The range includes many options and colours depending on the environment and investor's wishes. We also offer fire-resistant E90 cable trays.

They are distinguished for their simple, quick and efficient installation, quality coupling, rounded tray edges, type covers, sophisticated system of perforation, wide selection of standard elements, different thickness of metal sheet, precise and careful production and ingenious shape.

The highlight of the range are cable trays and cable ladders made of acid-resistant stainless steel which are suitable for use in the most demanding conditions.



## MOUNTING SYSTEMS

HERMI mounting systems are designed for rapid, simple and efficient installation of structures. The sub-structure of a solar power station encompasses load bearing construction profiles, roof fasteners and connecting/mounting profiles. The joining of elements is performed using screw connections which provide the adjustment of sub-structure or levelling of uneven parts of the roof.

Elements are made of quality stainless steel and aluminium.





Power of Nature, Supremacy of Knowledge

## HERMI, d.o.o.

Trnoveljska cesta 15  
3000 Celje  
Slovenia

+ 386 3 426 06 40  
info@hermi-solutions.com  
www.hermi-solutions.com

Production: Kultural • Photo: Archive Hermi d.o.o. • © 2020, Hermi d.o.o.  
The catalogue contains standard information about the products from the programme. The photographs of some products are symbolic. Hermi d.o.o. reserves the right to technical changes. Any reproduction of the catalogue, in whole or in part, is prohibited. All rights reserved.