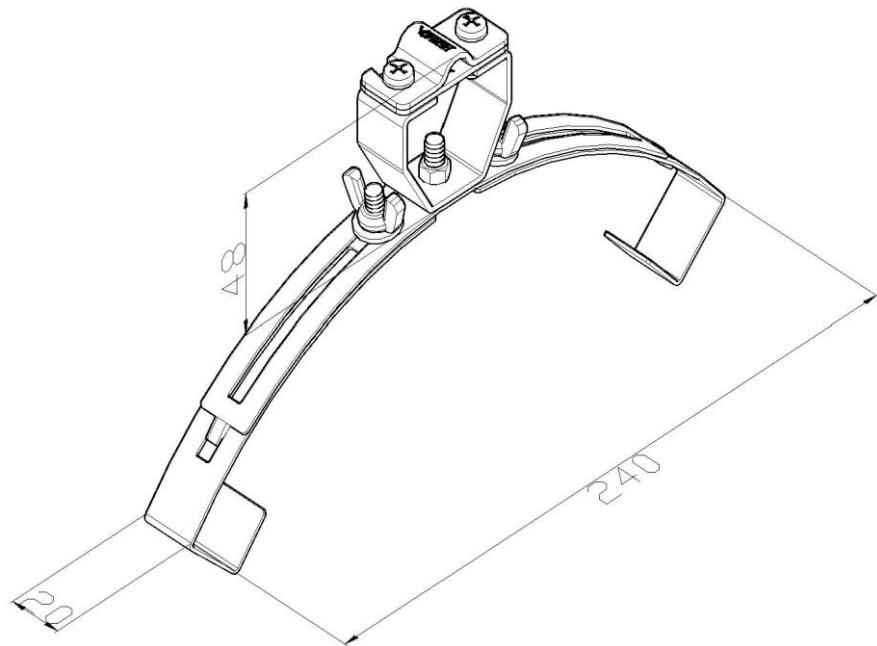


**Product:** SON02

**Product code:** 2324

Roof ridge conductor fastener



<b>Standard:</b>	EN 62561-4:2017: Lightning protection system components (LPSC) - Part 4: Requirements for conductor fasteners
<b>Dimensions:</b>	Length: 240 mm
	Width: 20 mm
	Height: 48 mm
	Conductor diameter: $\phi$ 8-10 mm
	Weight: 0,17 kg
<b>Material:</b>	Stainless steel