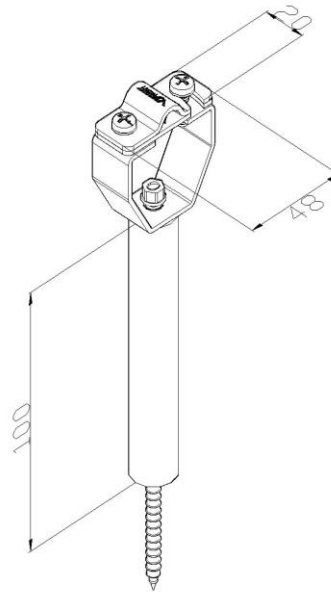


Product: ZON04

Product code: 20422

Wall conductor fastener



Standard:	EN 62561-4:2017: Lightning protection system components (LPSC) - Part 4: Requirements for conductor fasteners
Dimensions:	Length: 48 mm
	Width: 20 mm
	Height: 100 mm
	Conductor diameter: $\phi 8-10$ mm
	Screw length:
	Wall plug diameter:
	Weight: 0,14 kg
Material:	Stainless steel