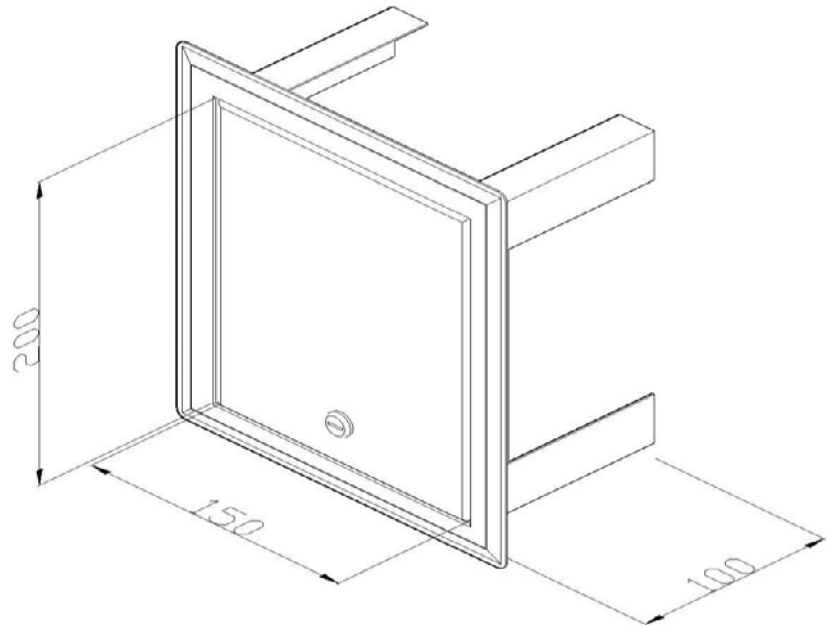


**Product:** ZON05

**Product code:** 20522

In-wall measuring cabinet made in one piece



<b>Standard:</b>	EN 62561-5:2017: Lightning protection system components (LPSC) - Part 5: Requirements for earth electrode inspection housings and earth electrode seals
<b>Dimensions:</b>	Length: 150 mm
	Height: 200 mm
	Depth: 100 mm
	Weight: 0,85 kg
<b>Material:</b>	Stainless steel