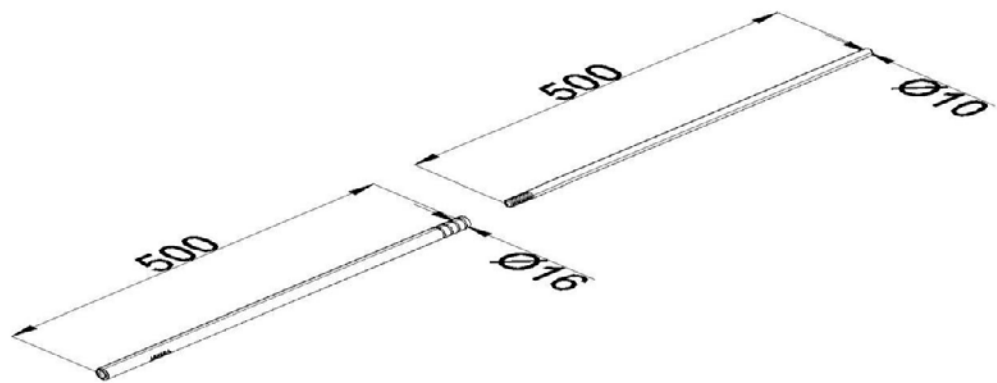


Product: LOP1,0 B

Product code: 300581

Lightning rod



<b>Standard:</b>	EN IEC 62561-2:2018: Lightning Protection System Components (LPSC) - Part 2: Requirements for conductors and earth electrodes
<b>Dimensions:</b>	Length: 1 m
	Diameter: $\phi$ 16/10 mm
	Weight:
<b>Material:</b>	Aluminium
<b>Maximum wind load:</b>	45 m/s