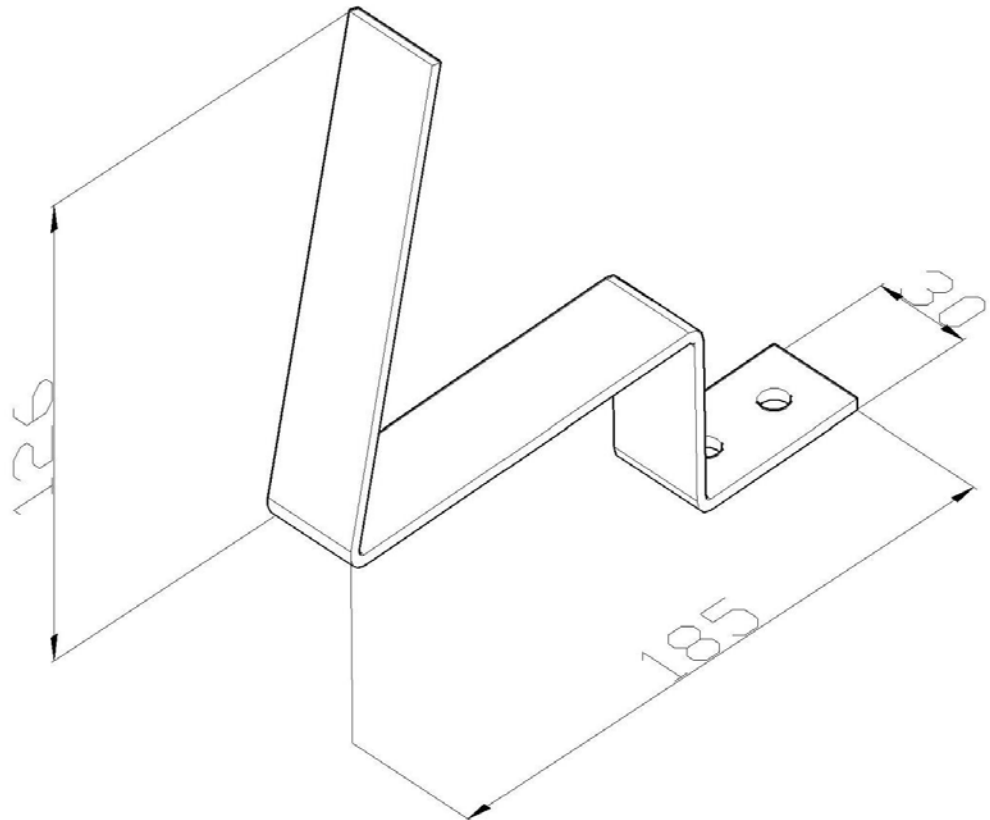


Product: LOP-P12

Product code: 301512

Attachment kit for placing lightning rods



Standard:	EN IEC 62561-2:2018: Lightning Protection System Components (LPSC) - Part 2: Requirements for conductors and earth electrodes
Dimensions:	Length: 185 mm
	Width: 30 mm
	Height: 126 mm
	Diameter:
Material:	Weight: 0,25 kg
	Stainless steel