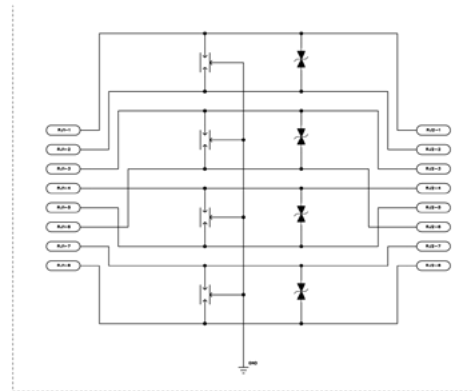
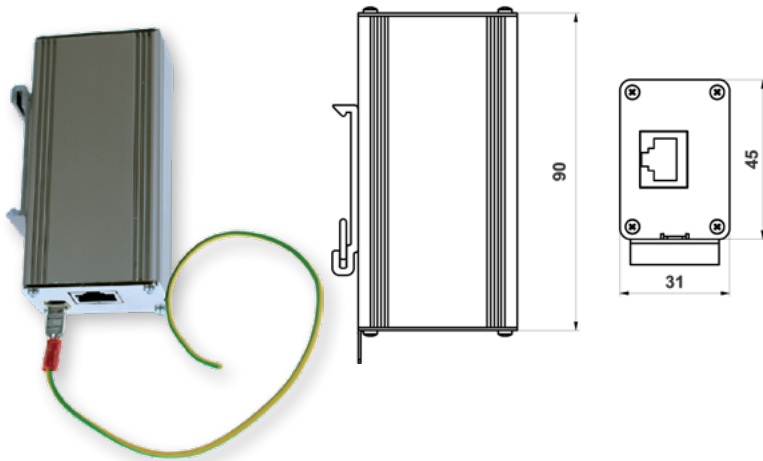


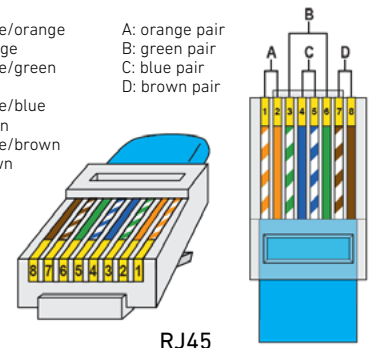
# IT Systems

LPZ 1-2-3 / IP20 / CE



### Connection of RJ45 pins acc. to EIA/TIA 568, type B

- |                  |                |
|------------------|----------------|
| 1 - white/orange | A: orange pair |
| 2 - orange       | B: green pair  |
| 3 - white/green  | C: blue pair   |
| 4 - blue         | D: brown pair  |
| 5 - white/blue   |                |
| 6 - green        |                |
| 7 - white/brown  |                |
| 8 - brown        |                |



RJ45

## PZH HT-NET PoE+ 6cat 802.3at

These surge protection devices intended for computer networks are specially designed for securing a faultless data transfer within computer networks category 6. They protect input electronic circuits of network cards against damage caused by surge effects in the Lightning Protection Zones Concept at the boundaries of LPZ 1-2-3 according to EN 62305. It is recommended to use these protection devices at the input of protected equipment.

TYPE		PZH HT-NET POE+ 6CAT 802.3AT
Connector type		RJ45/RJ45
Max. continuous operating voltage(DC)	$U_c$	58 V
Max. continuous operating voltage(AC)	$U_c$	41 V
Rated load current	$I_L$	1 A
C2 Max. discharge current line/PE (8/20)	$I_{max}$	2 kV/ 1 kA
C1 Nominal discharge current line/line (8/20)	$I_n$	300 V/ 150 A
C3 Voltage protection level at 1kV/μs	$U_p$	< 120 V
Voltage protection level line/line	$U_p$	< 150 V (1,2/50 μs 2kV)
Voltage protection level line/PE	$U_p$	< 700 V (1,2/50 μs 2kV)
Max. frequency		max. 500 MHz
Protection type		IP20
Operating temperature	$\theta$	-40°C ÷ + 70°C
LPZ		1-2-3
Tested acc. to IEC 61643:21-2000		C1, C2, C3
Approvals and certifications		Cat. 6A/EA, ISO/IEC 11801
PoE		IEEE 802.3af
Article number		<b>77 57 102</b>